



FREESTANDING GAS RANGE



Intertek
5015011

Conforms to CSA / ANSI STD Z21.1
Certified to CSA STD 1.1

INSTALLATION GUIDE

SPECIFICATIONS, INSTALLATION, AND MORE

MODEL NUMBERS:



FFSGS6265-20



FFSGS6272-24

FFSGS6290-24

CONTENTS	
CUSTOMER CARE	3
WARRANTY	4
CONSUMER INFORMATION	6
IMPORTANT SAFETY INFORMATION	8
FEATURES OF YOUR RANGE	12
COOKTOP	12
BEFORE USING YOUR GAS RANGE	13
IMPORTANT PRECAUTIONS AND RECOMMENDATIONS	15
ELECTRICAL GROUNDING INSTRUCTIONS	17
CHOICE OF BURNER	18
INSTALLATION INSTRUCTIONS	18
PRODUCT DIMENSIONS AND CABINETS	19
CABINET INSTALLATION	19
GAS AND ELECTRIC CONNECTION	20
HOW TO INSTALL THE BACKSPLASH	20
HOW TO LEVEL THE RANGE	21
GAS CONNECTION	22
CONVERSION FROM NATURAL GAS (NG) TO PROPANE(LPG)	23
SETTING THE PRESSURE REGULATOR	23
REPLACING THE OVEN / BROILER BURNER INJECTORS	25
SETTING THE BURNER MINIMUM SETTING	25
HOW TO USE THE GAS OVEN	26
USING THE OVEN FOR THE FIRST TIME	26
OVEN BURNER	26
OVEN THERMOSTAT	26
IGNITION OF THE OVEN BURNER	27
IGNITION OF THE BROIL BURNER	28
OVEN LIGHT	28
CONVECTION BAKE	29
BROILING	29
AIR FRYER	30
STEAM CLEAN	30
CARE & MAINTENANCE	31
GENERAL RECOMMENDATION	31
CORRECT REPLACEMENT OF THE BURNERS	32
OVEN RACK INSTALLATION AND REMOVAL	32
REMOVABLE STORAGE DRAWER	33
REMOVING THE OVEN DOOR	33
REPLACING THE OVEN LIGHT	33
TROUBLESHOOTING GUIDE	34
WIRE DIAGRAM	35

CUSTOMER CARE

Thank you for purchasing a **FORNO** product. Please read the entire instruction manual before operating your new appliance for the first time. Whether you are an occasional user or an expert, it will be beneficial to familiarize yourself with the safety practices, features, operation and care recommendations of your appliance.

Both the model and serial number are listed inside the product. For warranty purposes, you will also need the serial number, the date of purchase & a copy of your proof of purchase. Record this information below for future reference.

SERVICE INFORMATION

Use these number in any correspondance or service calls concerning your product.

Model Number

If you received a damaged product, immediately contact **FORNO**.

Serial Number

Save time and money. Before you call for service, check the Troubleshooting Guide. It lists the causes of minor operating problems that you can correct yourself.

Date of Purchase

Purchase Address & Phone

SERVICE IN CANADA & UNITED STATES

Keep the instruction manual handy to answer your questions. You can also find all the information you need online at www.forno.ca.

If you don't understand something or need more assistance, please email: info@forno.ca

If there is a problem, please contact FORNO customer service. Please note that troubleshooting with a customer service representative will be needed before being able to send a service provider. All warranty work needs to be authorized by FORNO customer service. All our authorized service providers are carefully selected and rigorously trained by us.

Warranty

What this limited warranty covers:

The Warranty coverage provided by Forno Appliances in this statement applies exclusively to the original Forno appliance ("Product") sold to the consumer ("Purchaser") by an authorized Forno dealer/distributor/retailer, purchased and installed in the United States or Canada, and which has always remained within the original country of purchase (the United States or Canada). Warranty coverage is activated on the date of the Product's original retail purchase and has a duration of two (2) years.

Warranty coverage is non-transferable. In the event of replacement of parts or of the entire product, the replacement Product (or parts) shall assume the remaining original Warranty activated with the original retail purchase document. This Warranty shall not be extended with respect to such replacement. Forno Appliances will repair or replace any component/part which fails or proves defective due to materials and/or workmanship within 2 years of the date of the original retail purchase and under conditions of ordinary residential, non-commercial use. Repair or replacement will be free of charge, including labor at standard rates and shipping expenses. Purchaser is responsible for making the Product reasonably accessible for service. Repair service must be performed by a Forno Authorized Service company during normal working hours.

IMPORTANT

Retain proof of original purchase to establish warranty period. Forno's liability on any claim of any kind, with respect to the goods and/or services provided, shall in no event exceed the value of the goods or service or part there of which has given rise to the claim.

30-Day Cosmetic Warranty

The Purchaser must inspect the product at the time of delivery. Forno warrants that the Product is free from manufacturing defects in materials and workmanship for a period of thirty (30) days from date of the original retail purchase of the Product.

This coverage includes:

- Paint blemishes
- Chips
- Macroscopic finish defects

Cosmetic warranty does NOT cover:

- > issues resulting from incorrect transport, handling and/or installation (e.g.: dents, broken, warped or deformed structures or components, cracked or otherwise damaged glass components);
- > slight color variations on painted/enamelled components;
- > differences caused by natural or artificial lighting, location or other analogous factors;
- > stains/corrosion/discoloration caused by external substances and/or environmental factors;
- > labor costs, display, floor, B-stock, out- of-box, "as is" appliances and demo units.

How to receive service

To receive warranty services, the Purchaser must contact the Forno Support department in order to determine the problem and the required service procedures. Troubleshooting with a customer service representative will be necessary before moving forward with the service. Model number, serial number and date of original retail purchase will be requested.

Warranty Exclusions: What Is Not Covered.

- > Use of the Product in any non-residential, commercial application.
- > Use of the Product for anything other than its intended purpose.
- > Repair services provided by anyone other than a Forno Authorized Service agency.
- > Damages or repair services to correct services provided by unauthorized parties or the use of unauthorized parts.
- > Installation not in accordance with local/state/city/county fire codes, electrical codes, gas codes, plumbing codes, building codes, laws or regulations.
- > Defects or damage due to improper storage of the Product.
- > Defects, damage or missing parts on products sold out of the original factory packaging or from displays.
- > Service calls or repairs to correct an incorrect installation of the Product and/or related accessories.
- > Replacement of parts/service calls to connect, convert or otherwise repair the electrical wiring and/or gas line in order to properly use the product.
- > Replacement of parts/service calls to provide instructions and information on the use of the Product.
- > Replacement of parts/service calls to correct issues arising from the product being used in a manner other than what is normal and customary for residential use.
- > Replacement of parts/service calls due to wear and tear of components such as seals, knobs, pan supports, shelving, cutlery baskets, buttons, touch displays, scratched or broken ceramic-glass tops.
- > Replacement of parts/service calls for lack of/improper maintenance, including but not limited to: build up of residues, stains, scratches, discoloration, corrosion.
- > Defects and damages arising from accidents, alteration, misuse, abuse or improper installation.
- > Defects and damages arising from Product transport, logistics and handling. Inspection of the product must be made at time of delivery. Following receipt and inspection, the selling dealer/delivery company must be notified of any issues arising from handling, transport and logistics.
- > Defects and damages arising from external forces beyond the control of Forno Appliances, including but not limited to wind, rain, sand, fires, floods, mudslides, freezing temperatures, excessive moisture or extended exposure to humidity, power surges, lightning, structural failures surrounding the appliance and other acts of God.
- > Products whose serial number has been altered/damaged/tampered with. In no case shall Forno be held liable or responsible for damage to surrounding property, including furniture, cabinetry, flooring, panels, and other structures surrounding the Product. Forno is neither liable nor responsible for the Product if it is located in a remote area or an area where certified trained technicians are not reasonably available. Purchaser must bear any transportation and delivery costs of the Product to the nearest Authorized Service Center or the additional travel expenses of a certified trained technician

THERE ARE NO EXPRESS WARRANTIES OTHER THAN THOSE LISTED AND DESCRIBED ABOVE, AND NO WARRANTIES, EITHER EXPRESS OR IMPLIED, INCLUDING, BUT NOT LIMITED TO, ANY IMPLIED WARRANTIES OF MERCHANTABILITY OR FITNESS FOR A PARTICULAR PURPOSE THAT SHALL APPLY AFTER THE EXPRESS WARRANTY PERIODS STATED ABOVE, AND NO OTHER EXPRESS WARRANTY OR GUARANTEE GIVEN BY ANY PERSON, FIRM OR CORPORATION WITH RESPECT TO THIS PRODUCT SHALL BE BINDING ON FORNO. FORNO SHALL NOT BE LIABLE FOR LOSS OF REVENUE OR PROFITS, FAILURE TO REALIZE SAVINGS OR OTHER BENEFITS, TIME AWAY FROM WORK, MEALS, LOSS OF FOOD OR BEVERAGES, TRAVELING OR HOTEL EXPENSES, EXPENSES TO RENT OR PURCHASE APPLIANCES, REMODELING/CONSTRUCTION EXPENSES IN EXCESS OF DIRECT DAMAGES WHICH ARE UNDENIABLY CAUSED EXCLUSIVELY BY FORNO OR ANY OTHER SPECIAL, INCIDENTAL OR CONSEQUENTIAL DAMAGES CAUSED BY THE USE, MISUSE OR INABILITY TO USE THIS PRODUCT, REGARDLESS OF THE LEGAL THEORY ON WHICH THE CLAIM IS BASED, AND EVEN IF FORNO HAS BEEN ADVISED OF THE POSSIBILITY OF SUCH DAMAGES. NOR SHALL RECOVERY OF ANY KIND AGAINST FORNO BE GREATER IN AMOUNT THAN THE PURCHASE PRICE OF THE PRODUCT SOLD BY FORNO AND CAUSING THE ALLEGED DAMAGE. WITHOUT PREJUDICE TO THE FOREGOING, PURCHASER ASSUMES ALL RISK AND LIABILITY FOR LOSS, DAMAGE OR INJURY TO PURCHASER AND PURCHASER'S PROPERTY AND TO OTHERS AND THEIR PROPERTY ARISING FROM THE USE, MISUSE, OR INABILITY TO USE THIS PRODUCT SOLD BY FORNO THAT IS NOT A DIRECT RESULT OF NEGLIGENCE ON THE PART OF FORNO THIS LIMITED WARRANTY SHALL NOT EXTEND TO ANYONE OTHER THAN THE ORIGINAL PURCHASER OF THIS PRODUCT, IS NON-TRANSFERABLE, AND STATES YOUR EXCLUSIVE REMEDY.

CONSUMER INFORMATION

Range Safety

Your safety and the safety of others are very important.

We have provided many important safety messages in this manual and on your appliance. Always read and obey all safety messages.



This is a safety alert symbol. It will alert you to potential personal or property safety hazards. Obey all safety messages to avoid any property damage, personal injury or death.

⚠ WARNING

WARNING indicates a potentially hazardous situation which, if not avoided, could result in serious injury or death.

⚠ CAUTION

CAUTION indicates a moderate hazardous situation which, if not avoided, could result in minor or moderate injury.

All safety messages will alert you what the potential hazard is, tell you how to reduce the chance of injury, and let you know what can happen if the instructions are not followed.

⚠ WARNING

If the information in this manual is not followed exactly, a fire or explosion may result, causing property damage, personal injury or death.

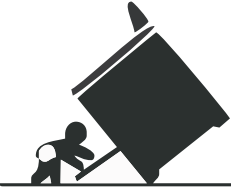

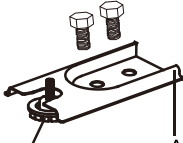
Do not store or use gasoline or other flammable vapors and liquids in the vicinity of this or any other appliance.

- WHAT TO DO IF YOU SMELL GAS

- Do not try to light any appliance.
- Do not touch any electrical switch.
- Do not use any phone in your building.
- Immediately call your gas supplier from a neighbor's phone. Follow the gas supplier's instructions.
- If you cannot reach your gas supplier, call the fire department.

Installation and service must be performed by a qualified installer, service agency or the gas supplier.

ANTI-TIP DEVICE

	<p style="text-align: center;"> WARNING</p> <p style="text-align: center;"><u>Tip-Over Hazard</u></p> <p>A child or adult can tip the range and be killed. Verify the anti-tip bracket has been installed. Ensure the anti-tip bracket is engaged when the range is moved. Do not operate the range without the anti-tip bracket in place. Failure to follow these instructions can result in death or serious burns to children and adults.</p>
 <p>Rear foot of range Anti-Tip Device</p>	
<p>CONSUMER INFORMATION — THE INSTALLER SHALL NOT REMOVE Before removing label, ensure anti-tip bracket is properly installed.</p>	

WARNING

This product can expose you to chemicals including carbon monoxide, which is known to the State of California to cause developmental harm.

For more information go to www.P65Warnings.ca.gov

The installation must conform with local codes or, in the absence of local codes, with the National Fuel Gas Code, ANSI Z223.1/NFPA 54 or, in Canada, the Natural Gas and Propane Installation Code, CSA B149.1.

WARNING

Never operate the top surface cooking section of the appliance unattended

Failure to follow this warning statement may result in fire, explosion or burn hazard that could cause property damage, personal injury or death.

If a fire should occur, keep away from the appliance and immediately call your fire department. **DO NOT ATTEND TO EXTINGUISH AN OIL/GREASE FIRE WITH WATER**

IMPORTANT SAFETY INFORMATION

READ ALL INSTRUCTIONS BEFORE USING THE APPLIANCE

▲WARNING Read all safety instructions before using the product. Failure to follow these instructions may result in fire, electrical shock, serious injury or death.

GENERAL SAFETY INSTRUCTIONS

▲WARNING NEVER use this appliance as a space heater to heat or warm the room. Doing so may result in carbon monoxide poisoning and overheating of the oven.

1. Use this range for its intended purpose as described in this instruction manual.
2. Have your range installed and properly grounded by a qualified installer in accordance with the provided installation instructions.
3. Any adjustment and service should be performed only by a qualified gas range installer or service technician. Do not attempt to repair or replace any part of your range unless it is specifically recommended in this manual.
4. Your range is shipped from the factory set for use with natural gas. It can be converted for use with either. If required, these adjustments must be made by a qualified technician in accordance with the installation instructions and local codes. The agency performing this work assumes responsibility for the conversion.
5. Have the installer show you the location of the range gas shut-off valve and how to turn it off if necessary.
6. Plug your range into a 120-volt grounded outlet only. Do not removed the round grounding prong from the plug. If in doubt about the grounding of the home electrical system, it is your responsibility and obligation to have an ungrounded outlet in accordance with the National Electrical Code. Do not use an extension code with this range.
7. Before performing any service, unplug the range or disconnect the power supply at the household distribution panel by removing the fuse or switching off the circuit breaker.
8. Be sure all packing materials are removed from the range before operating to prevent ignition of these materials.
9. Avoid scratching or impacting glass visible window. Doing so may lead to glass breakage. Do not cook on a product with broken glass. Shock, fire, or cuts may occur.
10. Do not leave children alone or unattended in an area where an appliance is in use. They should never be allowed to climb, sit or stand on any part of the range.
11. **▲CAUTION** Do not store items of interest to children in cabinets above an oven-children who climb onto the oven to reach items could be seriously injured.
12. Never block the vents (air openings) of the range. They provide the air inlets and outlets that are necessary for the range to operate properly with correct combustion. Air openings are located at the rear of the cooktop, at the top and bottom of the oven door, and at the bottom of the range.
13. Use only dry pot holders--moist or damp pot holders on hot surfaces may result in burns from steam. Do not let pot holders touch surface burners, burner grate, or oven heating element. Do not use a towel or other bulky fabrics in place of pot holders.

14. Do not touch the heating elements or the interior surface of the oven. These surfaces may be hot enough to burn even though they are dark in color. During and after use, do not touch, or let clothing or other flammable materials contact any interior area of the oven; allow sufficient time for cooling first. Other surfaces of the appliance may become hot enough to cause burns. Potentially hot surfaces include the burners, grates, oven vent opening, surfaces near the opening, crevices around the oven door, metal trim parts above the door, any backguard, or high shelf surface.

15. Do not heat unopened food containers. Pressure could build up and the container could burst, causing any injury.

⚠ WARNING

Extremely Heavy.

Proper equipment and adequate manpower are needed when move the range to avoid personal injury or damage to the unit or the floor.

Failure to follow this advice may result in damage or personal injury.

⚠ WARNING

DO NOT carry or lift the cooking range by the oven door handle or the control panel!



Correct



Incorrect



▲WARNING GENERAL SAFETY INSTRUCTIONS (cont.)

Cook food thoroughly to help protect against foodborne illness. Minimum safe food temperature recommendations can be found at www.IsItDoneYet.gov and www.fsis.usda.gov. Use a food thermometer to take food temperatures and check several locations.

Do not allow anyone to climb, stand or hang on the oven door, drawer or cooktop. They could damage the range or tip it over causing severe injury or death.

Keep the ventilator hood and grease filter clean to maintain good venting and to avoid grease fires. Turn the ventilator OFF in case of a fire or when intentionally "flaming" liquor or other spirits on the cooktop. The blower if in operation, could spread the flames.

▲WARNING KEEP FLAMMABLE MATERIALS AWAY FROM THE RANGE

Failure to do so may result in fire or personal injury.

Do not store or use flammable materials in an oven or near the cooktop, including paper, plastic, pot holders, linens, wall coverings, curtains, drapes and gasoline or other flammable vapors and liquids.

Never wear loose-fitting or hanging garments while using the appliance. These garments may ignite if they contact hot surfaces causing severe burns.

Do not let cooking grease or other flammable materials accumulate in or near the range. Grease in the oven or on the cooktop may ignite.

▲WARNING IN THE EVENT OF A FIRE, TAKE THE FOLLOWING STEPS TO PREVENT INJURY AND FIRE SPREADING

Do not use water on grease fires. Never pick up a flaming pan. Turn the controls off. Smother a flaming pan on a surface unit by covering the pan completely with a well-fitting lid, cookie sheet or flat tray. Use a multi-purpose dry chemical or foam-type fire extinguisher.

If there is a fire in the oven during baking, smother the fire by closing the oven door and turning the oven off or by using a multi-purpose dry chemical or foam-type fire extinguisher.

If there is a fire in the oven during self-clean, turn the oven off and wait for the fire to go out.

Do not force the door open. Introduction of fresh air at self-clean temperatures may lead to a burst of flame from the oven. Failure to follow this instruction may result in severe burns.

▲WARNING COOKTOP SAFETY INSTRUCTIONS

Never leave the surface burners unattended at medium or high heat settings. Foods, especially oily foods, may ignite resulting in fire that could spread to surrounding cabinets.

Never leave oil unattended while frying. If allowed to heat beyond its smoking point, oil may ignite resulting in fire that may spread to surrounding cabinets. Use a deep fat thermometer whenever possible to monitor oil temperature.

To avoid oil spillover and fire, use the minimum amount of oil when frying in a shallow pan and avoid cooking frozen foods with excessive amounts of ice.

Use proper pan size and avoid pans that are unstable or easily tipped. Select cookware that matches the size of the burner. Burner flames should be adjusted so that they do not extend beyond the bottom of the pan. Excessive flames may be hazardous.

When using glass/ceramic cookware, make sure it is suitable for cooktop use; others may break because of a sudden change in temperature.

To minimize the possibility of burns, ignition of flammable materials and spillage, cookware handles should be turned toward the center of the range without extending over nearby burners.

Do not use a wok with a round metal support ring. The ring may trap heat and block air to the burner resulting in a carbon monoxide hazard.

Do not attempt to lift the cooktop. Doing so may damage the gas tubing to the surface burners resulting in a gas leak and risk of fire.

Do not use aluminum foil to cover the grates or line any part of the cooktop. Doing so may result in carbon monoxide poisoning, overheating of the cooktop surfaces, or a potential fire hazard.

▲WARNING OVEN SAFETY INSTRUCTIONS

NEVER cover any slots, holes, or passages in the oven bottom or cover an entire rack with materials such as aluminum foil or oven liners. Doing so blocks air flow through the oven and may cause carbon monoxide poisoning. Never place foil or oven liners on the oven bottom. They can trap heat causing risk of smoke or fire.

Stand away from the range when opening the oven door. Escaping hot air or steam can cause burns to hands, face and/or eyes.

Never place cooking utensils, pizza or baking stones, or any type of foil or liner on the oven floor. These items can trap heat or melt, resulting in damage to the product and risk of shock, smoke or fire.

Place oven racks in desired location while oven is cool. If the rack must be moved while the oven is hot, be careful to avoid touching hot surfaces.

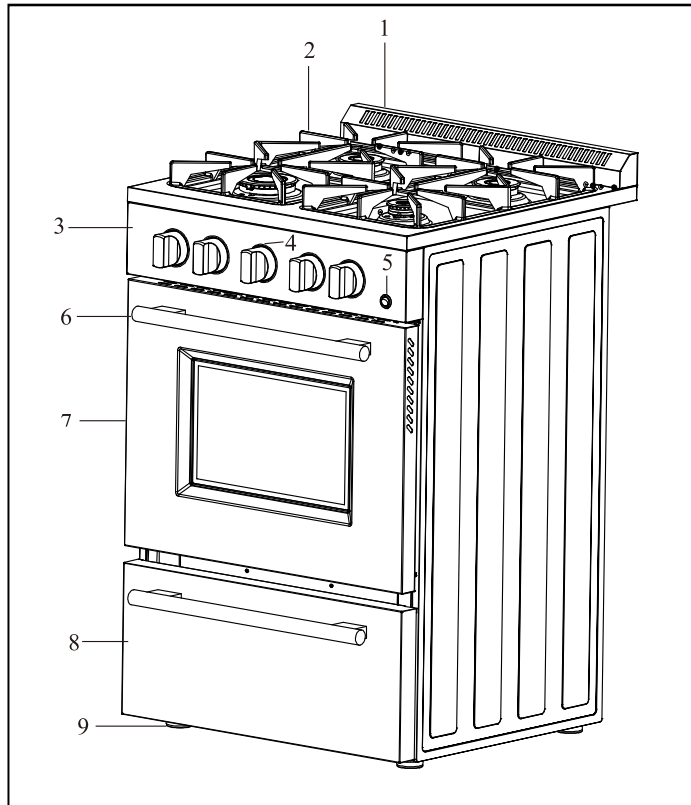
Do not leave items such as paper, cooking utensils, or food in the oven when not in use. Items stored in an oven can ignite.

Do not leave items on the cooktop near the oven vent. Items may overheat resulting in a risk of fire or burns.

Never broil with the door open. Open-door broiling is not advised due to overheating of control knobs.

FEATURES OF YOUR RANGE

	Feature Index
1	Oven Vents
2	Cooktop Burner Grates
3	Control Panel
4	Oven/Broil Burner
5	Oven Lights
6	Handle
7	Oven Door
8	Drawer
9	Leveling System



Not all features are on all models. Appearance may vary.

COOKTOP

BTU/hr Ratings			
		20"	24"
1	Auxiliary	2700	6000
2	Right Semi-rapid	5000	9000
3	Left Semi-rapid	5000	9000
4	Rapid	8500	14000

Note:

-The electric gas-lighting device is incorporated into the knobs.

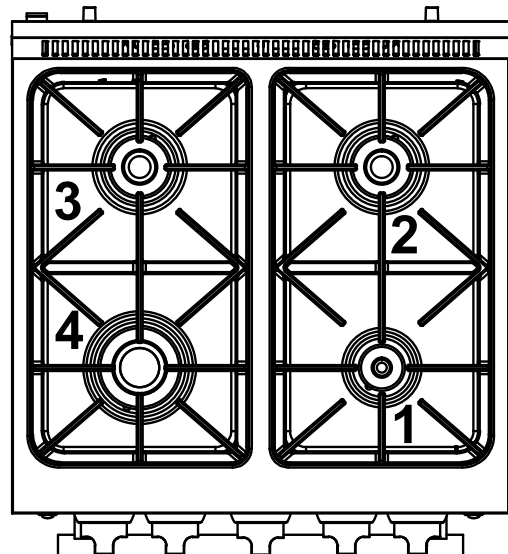
CAUTION:

If the burner is accidentally extinguished, turn the gas off at the control knob and wait at least 1 minute before attempting to relight.

CAUTION:

Gas appliances produce heat and humidity in the environment in which they are installed.

Ensure that the cooking area is well ventilated following national/local codes.



BEFORE USING YOUR GAS RANGE



WARNING!!

HAVE THIS RANGE INSTALLED BY A QUALIFIED INSTALLER.

Improper installation, adjustment, alteration, services, or maintenance can cause injury or property damage. Consult a qualified installer, service agency, or the gas supplier.

➤ **Before Using Your Gas Range**

- ✓ Remove the exterior and interior packing.
- ✓ Remove the protective film on steel and aluminum parts
- ✓ Check to be sure you have all of the parts listed below
 - 1 Backsplash
 - LP Gas Conversion Packet(injectors for LP gas, 6pcs)
 - 1 Anti-tip bracket
 - 2 Pan supports
 - 2 Oven racks
 - 4 Caps and bases in the burner assembly
 - 1 Air Fry Basket(for FFSGS6272-24 FFSGS6290-24)
 - 1 Broiler Tray(for FFSGS6272-24 FFSGS6290-24)
 - 1 Regulator(Pre-installed)
 - 5 Screws for Backsplash
 - 1 Manual

- ✓ Clean the interior surface with lukewarm water using a soft cloth
- ✓ Have the installer show you the location of the range's gas shut-off valve and how to shut it off if necessary.
- ✓ Have your range installed and properly grounded by a qualified installer in accordance with the installation instructions.
- ✓ Do not attempt to repair or replace any part of your range unless it is specifically recommended in this manual.
- ✓ Be sure your range is correctly adjusted by a qualified service technician or installer for the type of gas (natural or LP) that is being used.
- ✓ Do not remove permanently affixed labels, warnings, or plates from the product. This may void the warranty.
- ✓ The installer should leave these instructions with the consumer who should retain for local inspector's use and for future reference.
- ✓ Please observe all local and national codes and ordinances.

Important:

This appliance is designed and manufactured solely for the cooking of domestic (household) food and is not suitable for any non-domestic application and therefore CANNOT be used in a commercial environment.

The appliance guarantee will be void if the appliance is used within a non-domestic environment i.e. a semi commercial, commercial or communal environment.

Read the instructions carefully before installing and using the appliance.

CAUTION: this appliance must only be installed in a permanently ventilated room in compliance with the applicable regulations.

It is advised to follow these instructions:

- ✓ Clean the interior of the oven with a clean cloth soaked in water and detergent (neutral, then dry carefully).
- ✓ Furnish the interior of the oven by inserting the shelves and tray.
- ✓ Turn the oven on to the maximum temperature to eliminate any possible traces of grease from the oven burner. The same operation should be followed for the broiler burner.

**** NOTE ****

This appliance can be used with LP gas and NG gas. It is shipped from the factory adjusted for use with NG (Natural Gas). Conversion orifices are included. Follow the instruction packaged with the orifices for gas conversion.


 **WARNING**

NEVER use this appliance as a space heater to heat or warm the room. Doing so may result in carbon monoxide poisoning and overheating of the oven.

 **WARNING**

NEVER cover any slots, holes or passages in the oven bottom or cover an entire rack with materials such as aluminum foil. Doing so blocks airflow through the oven and may cause carbon monoxide poisoning. Aluminum foil linings may also trap heat, causing a fire hazard.

IMPORTANT PRECAUTIONS AND RECOMMENDATIONS

- ✓ After having unpacked the appliance, check to ensure that it is not damaged and that the oven door closes correctly. In case of doubt, do not use it and consult your supplier or a professionally qualified technician.
- ✓ Packing elements (i.e. plastic bags, polystyrene foam, nails, packing straps, etc.) should not be left around within easy reach of children, as these may cause serious injuries.
- ✓ The packaging material is recyclable and is marked with the recycling symbol .
- ✓ Do not attempt to modify the technical characteristics of the appliance as this may cause danger to users.
- ✓ Do not carry out cleaning or maintenance operations on the appliance without having previously disconnected it from the electric power supply.
- ✓ If you should decide not to use this appliance any longer (or decide to substitute an older model), before disposing of it, it is recommended that it be made inoperative in an appropriate manner in accordance to health and environmental protection regulations, ensuring in particular that all potentially hazardous parts be made harmless, especially in relation to children who could play with unused appliances.
- ✓ Remove the door before disposal to prevent entrapment..
- ✓ After use, ensure that the knobs are in OFF position.
- ✓ Do not allow children or other unqualified people to use the appliance without your supervision.
- ✓ During and after use of the range, certain parts will become very hot. Do not touch hot parts.
- ✓ Keep children away from the range when it is in use
- ✓ Fire risk! Do not store flammable material in the oven or in the bottom drawer.
- ✓ Make sure that electrical cables connecting other appliances in the proximity of the range cannot come into contact with the hob or become entrapped in the oven door.
- ✓ Do not line the oven walls top and bottom with aluminium foil. Do not place shelves, pans, baking trays, broil tray or other cooking utensils on the base of the oven chamber.
- ✓ The manufacturer declines all liability for injury to persons or damage to property caused by incorrect or improper use of the appliance.
- ✓ To avoid any possible hazard, the appliance must be installed by qualified personnel only. Any repairs by unqualified persons may result in electric shock or short circuit. In order to avoid possible injuries to your body or to the appliance, do not attempt any repairs by yourself. Such work should be carried out by qualified service personnel only.
- ✓ Danger of burns! The oven and cooking accessories may become very hot during operation. Make sure children are kept out of reach and warn them accordingly. To avoid burns use kitchen clothes and gloves when handling hot parts or utensils.
- ✓ Stand away from the range when opening oven door. Hot air or steam which escapes can cause burns to hands, face, and/or eyes.
- ✓ Never clean the oven with a high-pressure steam cleaning device, as it may provoke a short circuit.
- ✓ This appliance is intended for use in your household. Never use the appliance for any other purpose!

IMPORTANT PRECAUTIONS AND RECOMMENDATIONS FOR USE OF ELECTRICAL APPLIANCES

Use of any electrical appliance implies the necessity to follow a series of fundamental rules.

In particular:

- ✓ Never touch the appliance with wet hands or feet;
- ✓ Do not operate the appliance barefooted;
- ✓ Do not allow children or disabled people to use the appliance without your supervision.

The manufacturer cannot be held responsible for any damages caused by improper, incorrect or unreasonable use of the appliance

GENERAL INFORMATION



WARNING!!

1. This appliance shall not be used for space heating. This information is based on safety considerations.
2. All openings in the wall behind the appliance and in the floor under the appliance shall be sealed.
3. Keep appliance area clear and free from combustible materials, gasoline, and other flammable vapors.
4. Do not obstruct the flow of combustion and ventilation air.
5. Disconnect the electrical supply to the appliance before servicing.
6. When removing appliance for cleaning and/or service;
 - A. Shut off gas at main supply.
 - B. Disconnect AC power supply.
 - C. Disconnect gas line to the inlet pipe.
 - D. Carefully remove the range by pulling outward.

CAUTION: Range is heavy; use care in handling.

7. The misuse of oven door (e.g. stepping, sitting, or leaning on them) can result in potential hazards and/or injuries.
8. When installing or removing the range for service, a rolling lift jack should be used. Do not push against any of the edges of the range in an attempt to slide it into or out of the installation. Pushing or pulling a range (rather than using a lift jack) also increases the possibility of bending the leg spindles or the internal coupling connectors.
9. The appliance and its individual shut-off valve must be disconnected from the gas supply piping system during any pressure testing of that system at test pressures in excess of 1/2 psi (3.5 kPa).

ELECTRICAL GROUNDING INSTRUCTIONS

FOR PERSONAL SAFETY, THIS APPLIANCE MUST BE PROPERLY GROUNDED.

This appliance is equipped with a three-prong grounding plug for your protection against shock hazard and should be plugged directly into a properly grounded socket. Do not cut or remove the grounding prong from the plug.

- **The gas range must be installed with all electrical connections in accordance with state and local codes. A standard electrical supply (120 V AC only, 60 Hz), properly grounded in accordance with the National Electrical Code and local codes and ordinances is required.**

Do not under any circumstances cut or remove the third (ground) prong from the power plug. Electrical installation should comply with national and local codes.

REPLACEMENT PARTS

Only authorized replacement parts may be used in performing service on the range. Replacement parts are available from factory authorized parts distributors. Contact the nearest parts distributor in your area.



CARBON MONOXIDE WARNING:

Carbon Monoxide is a possible danger when using any gas powered appliance.

All gas appliances **MUST** be installed by a licensed professional who is familiar with the Carbon Monoxide levels appropriate for each appliance.

The American Gas Association publishes CO emissions for appliances and heating equipment through the CSA/ANSI Std. Z21.1

The EPA reports that a maximum CO (Carbon Monoxide) level of 9 PPM over a 24 hour period is the residential interior ambient level standard.

(A properly ventilated home will have a normal CO level of less than 5 PPM.)

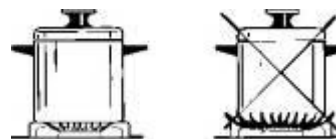
NON-VENTED GAS COOKING APPLIANCES:

In a residential application are normally used for a short period of time.

The CO generated during the operation will disperse to the air in the home and be purged to the outside through the normal air exchange.

CHOICE OF BURNER

DIAMETERS OF PANS WHICH MAY BE USED ON THE TOP BURNERS		
BURNER	MINIMUM	MAXIMUM
Auxiliary	4" 23/32 (12 cm)	5" 1/2 (14 cm)
Semirapid	6" 19/64 (16 cm)	9" 7/16 (24 cm)
Rapid	9" 7/16 (24 cm)	10" 15/64 (26 cm)
Do not use pans with concave or convex bases		



The symbols printed on the panel above the gas knobs indicate the correspondence between the knob and the burner.

The most suitable burner is to be chosen according to the diameter and volume capacity of the container to be warmed.



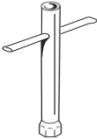






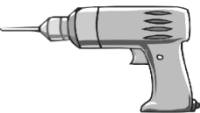
It is important that the diameter of the pots or pans suitably match the heating potential of the burners in order not to jeopardize the efficiency of the burners, bringing about a waste of gas fuel.

A small diameter pot or pan placed on a large burner does not necessarily mean that boiling conditions are reached quicker.

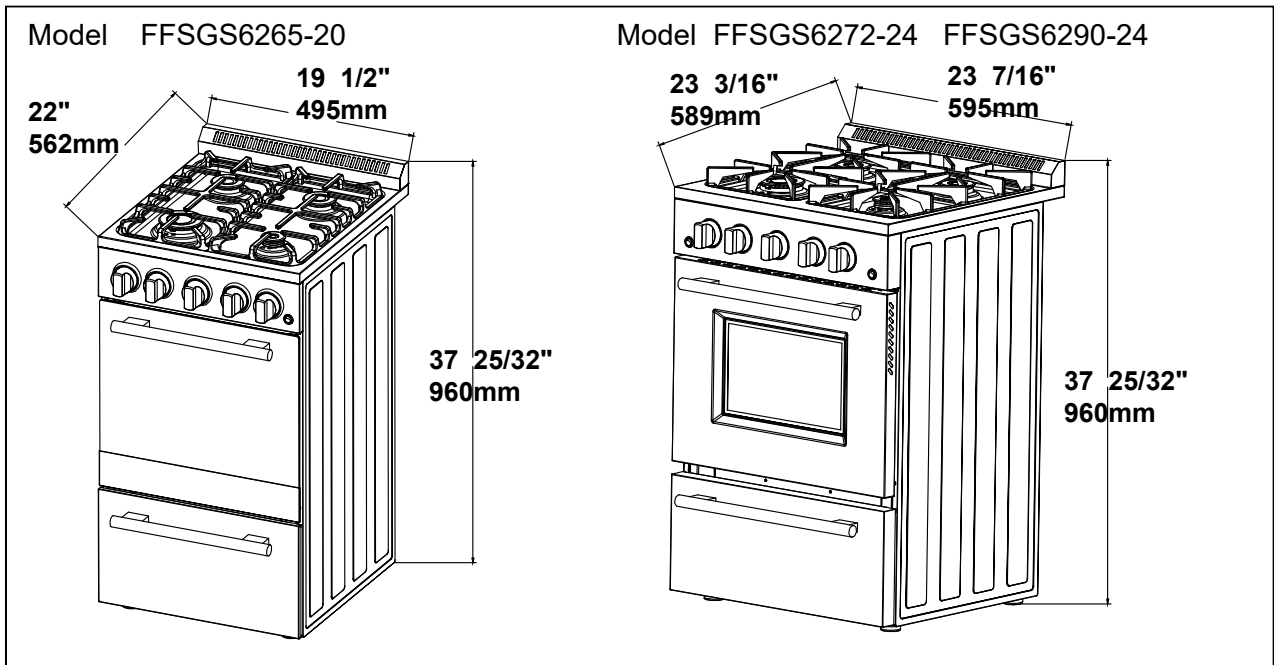
Make sure that the handles of cookware do not stick out over the edge of the range, to avoid them being knocked over by accident. This also makes it more difficult for children to reach the cooking vessels.

INSTALLATION INSTRUCTIONS

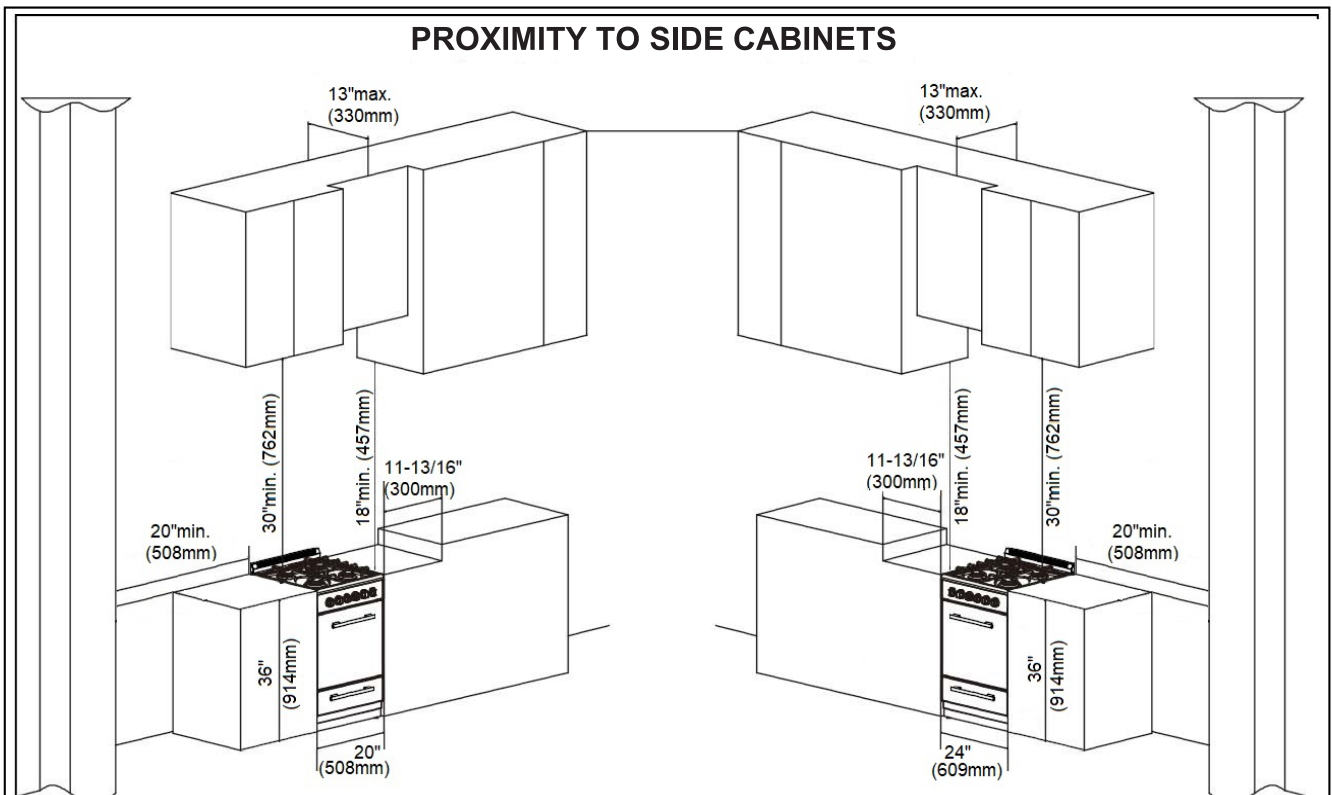
YOU NEED TOOLS FOR INSTALLATION. (not supplied with the range)

 Screwdriver	 Wrench	 Socket wrench	 Allen key	 Tape measure & Pencil
 Protective gloves	 Hammer	 Adjustable wrench	 Adjustable pliers	 Drill

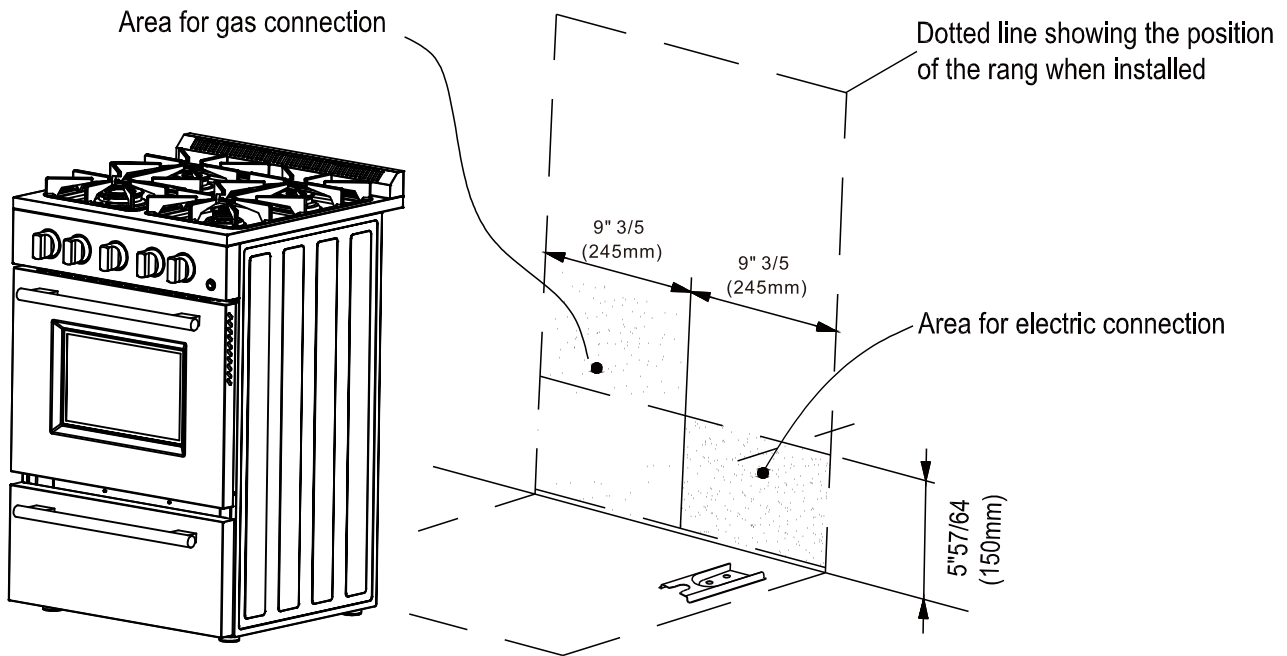
PRODUCT DIMENSIONS AND CABINETS



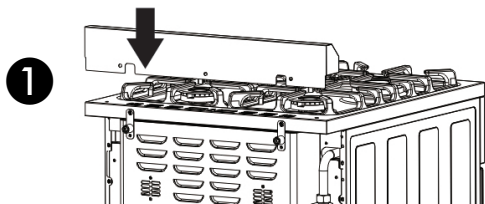
CABINET INSTALLATION



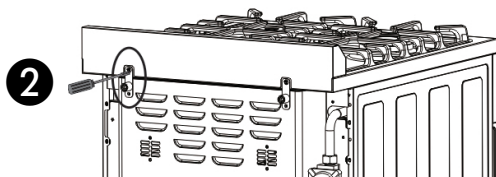
GAS AND ELECTRIC CONNECTION



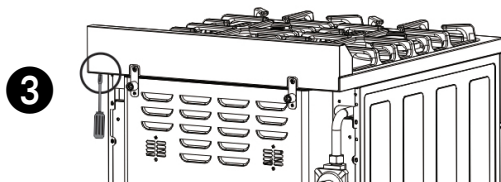
HOW TO INSTALL THE BACKSPLASH



Align the backsplash to rear part of the cooktop. As shown in the diagram



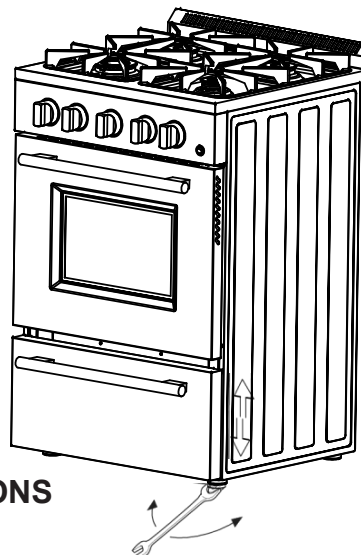
Secure the backsplash to the cooktop from the back using the Philips head screws provided. As shown in the diagram



Secure the backsplash from the bottom using the Philips head screws provided. As shown in the diagram

HOW TO LEVEL THE RANGE

The range is equipped with 4 LEVELLING LEGS and may be leveled by screwing or un-screwing the feet with a spanner tool.



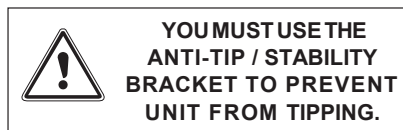
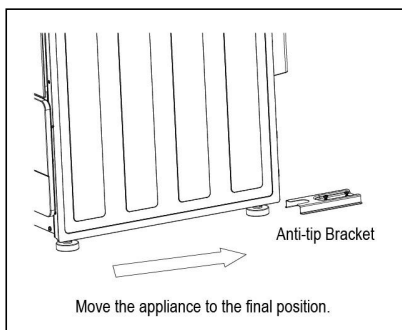
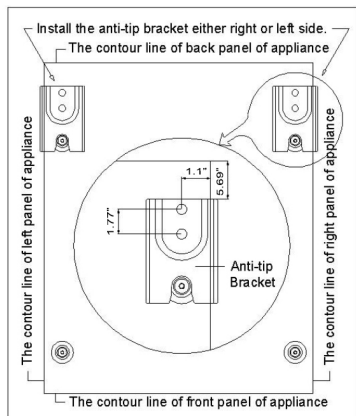
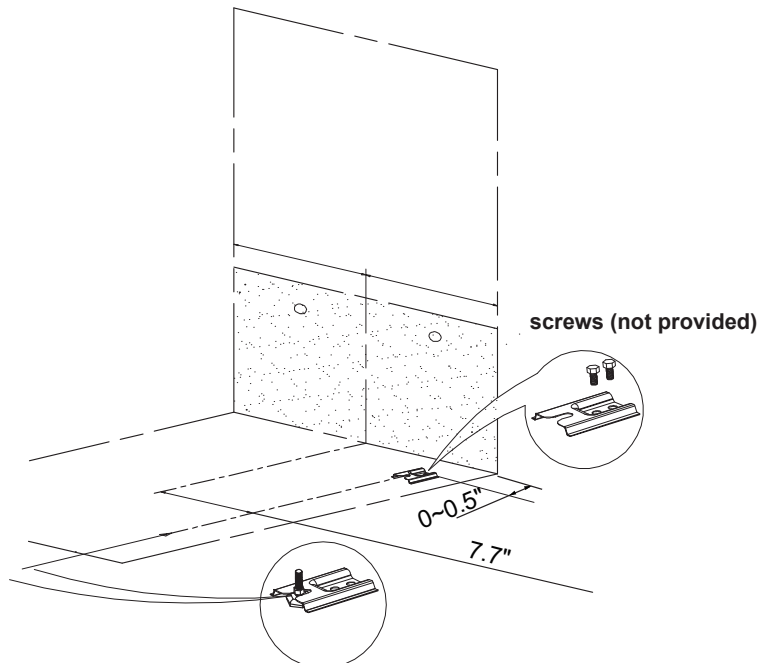
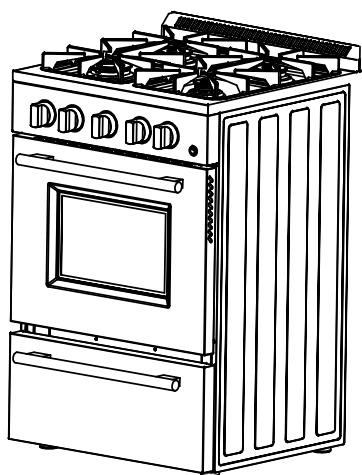
ANTI-TIP STABILITY DEVICE INSTALLATION INSTRUCTIONS

ANTI-TIP BRACKET INSALLATION

To reduce the risk of tipping the range by abnormal usage or improper door loading, the range must be secured by properly installing the anti-tip device packed with the appliance.

- Place the anti-tip bracket on the floor as shown figure. Anti-tip bracket can be installed on either right or left side.
- Make the locations of 2 holes of ant-tip bracket on the floor.
- Use a 5/16" masonry drill bit and insert plastic anchor.
- Secure bracket to floor using screws supplied.
- Slide appliance into position.

NOTE: If range is relocated, the bracket must be removed and installed in new location.



GAS CONNECTION

ATTENTION:

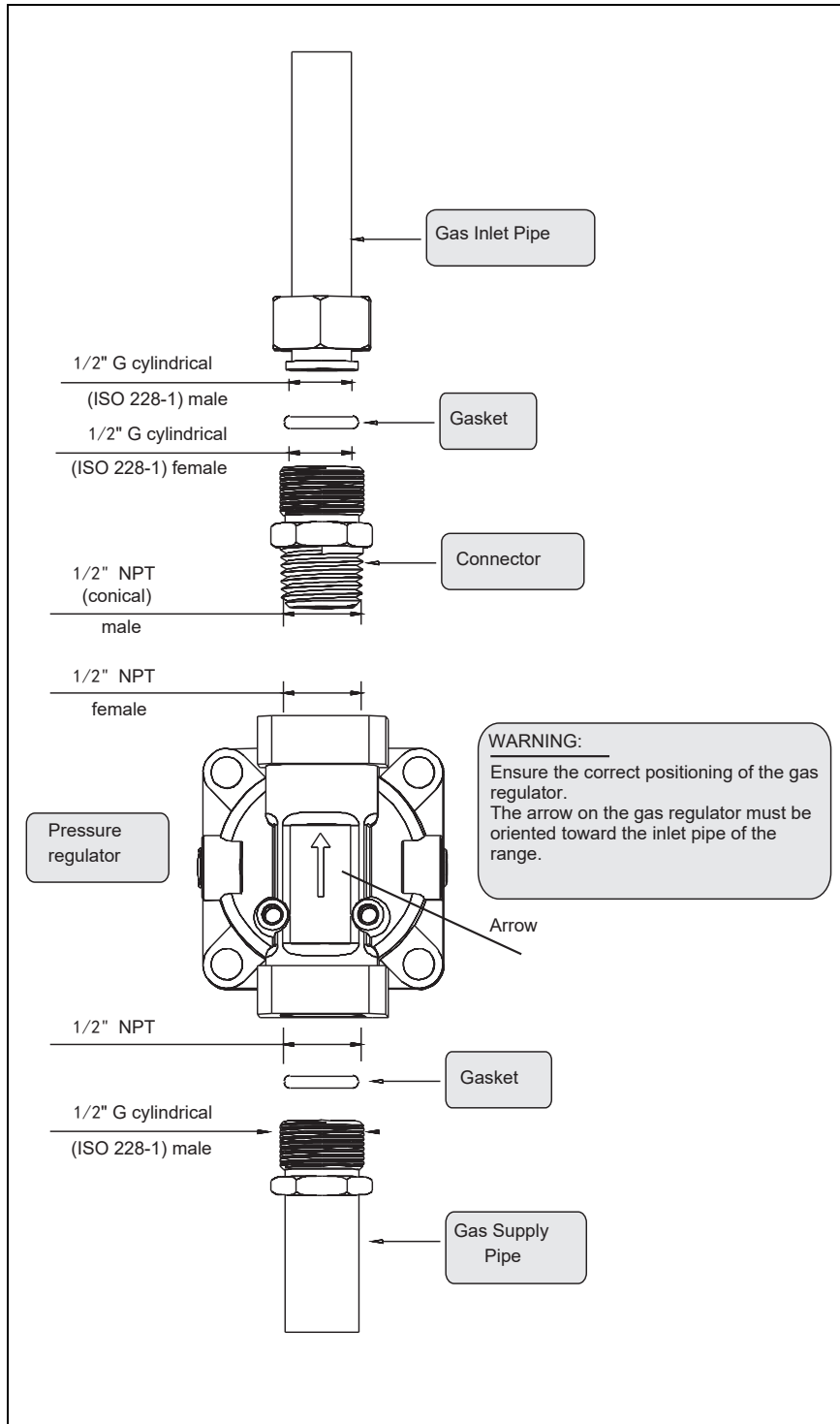
The regulator is pre-installed by the factory for your convenience.

The following instructions are for information purposes only or in the instance a part must be replaced.

ALL REPAIR / PART REPLACEMENTS AND CONNECTIONS MUST BE DONE BY AN EXPERIENCED LICENSED PROFESSIONAL.

WARNING

Check the right positioning of the gas regulator. The arrow on the back of the gas regulator must be oriented toward the connector.



CONVERSION FROM NATURAL GAS (NG) TO PROPANE (LPG)

Every range is provided with a set of injectors for the various types of gas.

Select the injectors to be replaced according to the "INJECTORS TABLE".

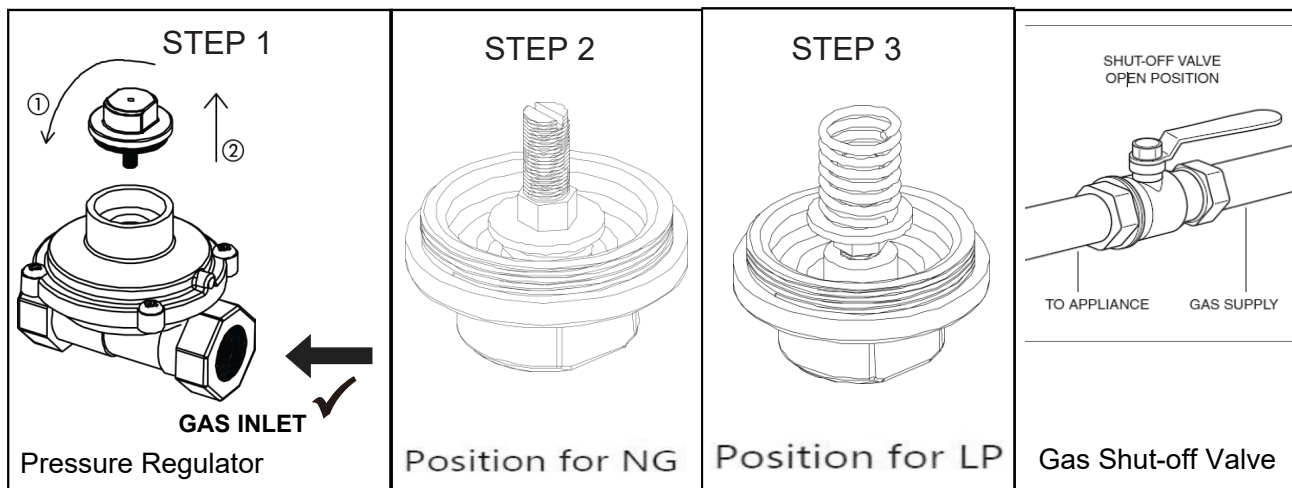
The nozzle diameters, expressed in hundredths of a millimeter, are marked on the body of each injector.

Any conversion required must be performed by your dealer or a qualified licensed plumber or gas service company.

Please provide the service person with this manual before work is started on the range.

(Gas conversions are the responsibility of the dealer or end user.)

SETTING THE PRESSURE REGULATOR



Pressure regulator can withstand a maximum input pressure of 0.5 psi (3.5 kPa), and is set at 5" WC outlet pressure when used on NATURAL GAS and 10" WC outlet pressure when used on LIQUID PROPANE.

Save the orifices removed from the appliance for future use.

Step 1: Open the regulator cover by turning the cover in a counter-clockwise direction.

Step 2: See the pressure screw installed in the cover. This is the Natural Gas position.

Step 3: Carefully unscrew the pressure screw and remove it along with the spring below. Invert the position of the pressure screw and spring. Reinstall the pressure screw as showing in the image above.

Step 4: Re-Install the regulator cover by screwing into place in a clockwise direction.

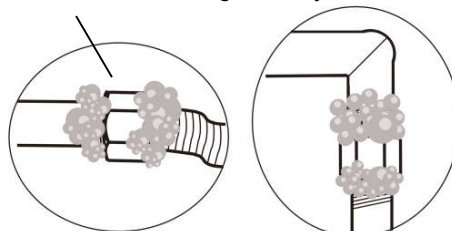
Ensure the cover securely closed before installing the regulator and connecting to the gas supply. **DO NOT OVERTIGHTEN**

Step 5: Before operating the range after the gas conversion, always check for leaks with a soapy water solution or other acceptable method in at gas connections installed between the gas inlet pipe of the range, gas regulator, and the manual shut-off valve.

WARNING

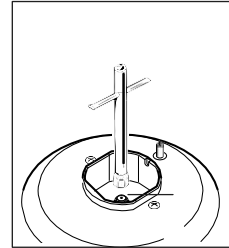
DO NOT use a flame to check for gas leaks!

Use soapy solutions to check for leakage on all joints.



COOKTOP BURNERS

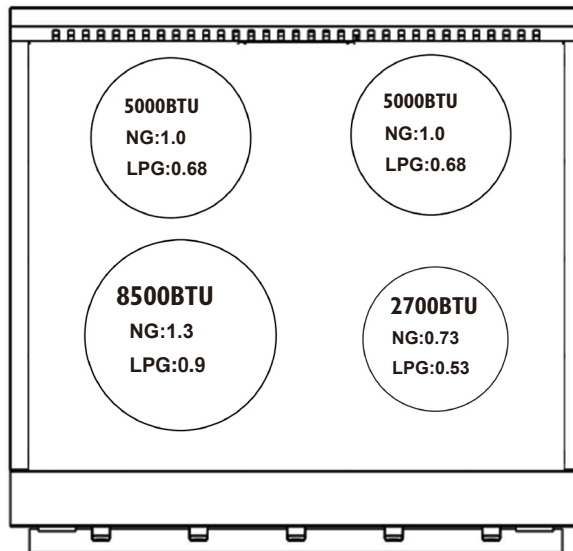
- a. Remove cooking grates, burner caps and inner burner rings.
- b. Lift off outer burner heads and burner bases.
- c. Remove the factory installed natural gas nozzles from the center of the nozzle holders using a 7mm socket wrench. Replace the LP nozzle in each nozzle holder. Tighten each nozzle until snug. Use caution not to over tighten.



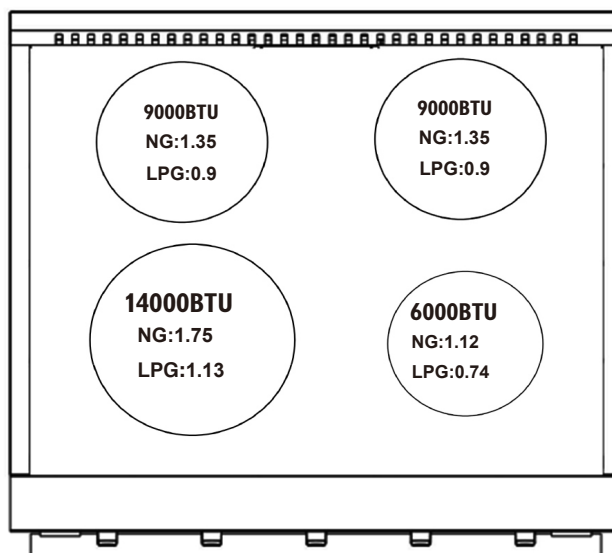
Socket Wrench

CAUTION Care should be taken when removing and replacing gas components. Use proper support to prevent damage to components.

IMPORTANT: Each nozzle has a number indicating its flow diameter printed on the body. Consult the table below for matching nozzles and burners.



Model:FFSGS6265-20



Model:FFSGS6272-24 FFSGS6290-24

REPLACING THE OVEN / BROILER BURNER INJECTORS

To replace the OVEN burner injector:

- a) Lift and remove the lower panel inside the oven.
- b) Remove the burner securing screws (total 4) (fig. 22)
- c) Withdraw the burner and rest it inside the oven. Take care as not to damage the wire to the ignition electrode as well as the thermocouple.
- d) Using a 7 mm box spanner, unscrew the injector and replace it using the new LPG injector.
- e) Replace the burner repeating the above steps in reverse order.

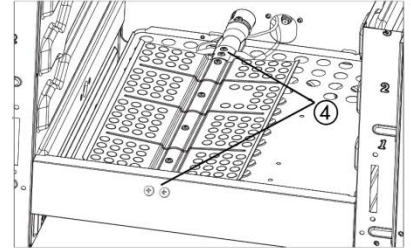


fig. 22

To replace the BROIL burner injector:

- a) Remove the burner by unscrewing the front screw (fig. 23)
- b) Gently suspend the burner as shown in figure 24. Take care as not to damage the wire to the ignition electrode as well as the thermocouple.
- c) Using a 7 mm box spanner, unscrew the injector (indicated in figure 24) and replace it using the new LPG injector.
- d) Replace the burner repeating the above steps in reverse order.

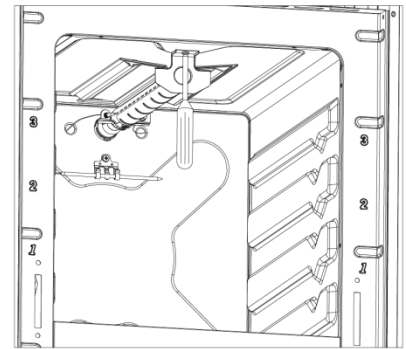


fig. 23

		Model:FFSGS6265-20	Model:FFSGS6272-24	FFSGS6290-24
Broil	NG	1.24		1.24
	LPG	0.8		0.8
Oven	NG	1.3		1.3
	LPG	0.84		0.84

SETTING THE BURNER MINIMUM SETTING

When switching from one type of gas to another, the minimum flow rate must also be correct: the flame should not go out even when passing suddenly from maximum to minimum flame.

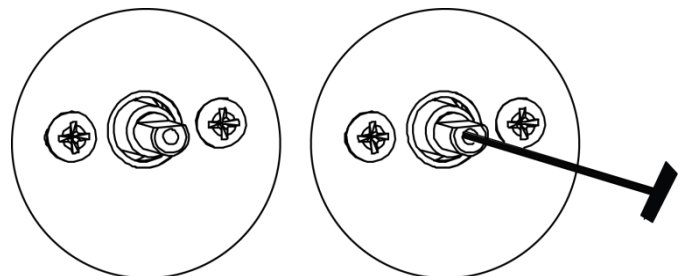
- 1) Light the burner.
- 2) Set the top burner valve to the minimum position.
- 3) Remove the knob by pulling straight out.
- 4) Locate the bypass screw (see illustration).

Single valve stems are hollow, the bypass screws is located inside the stem.

Insert the flat head screwdriver (2.5mm x 75mm) into the stem center and turn the bypass screw clockwise to adjust the flame.

DO NOT OVERTIGHTEN.

- 5) Replace the knob.
- 6) Repeat for each of the other burners.



HOW TO USE THE GAS OVEN

GENERAL FEATURES

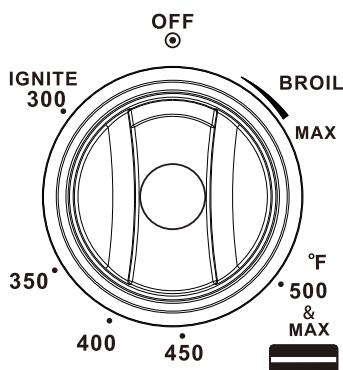
The gas oven is provided with two burners:
Oven burner, mounted on the lower part of the oven:
Broil burner, mounted on the upper part of the oven:

USING THE OVEN FOR THE FIRST TIME

- It is advised to follow these instructions
1. Insert shelves and broiler grid and tray
 2. Turn the oven on to the maximum temperature position (500F) to eliminate possible traces of grease from the oven burner. The same operation should be followed for the broiler burner (knob on position BROIL)
 3. Unplug the power cord, let the oven cool down, then clean the interior of the oven with cloth soaked in water and detergent (neutral) then dry carefully.

OVEN BURNER

Carries out normal “oven cooking”.
The gas flow to the burner is regulated by a thermostat which allows to maintain the desired oven temperature.
The control of the temperature is assured by a thermostatic probe positioned inside the oven.
The probe must be always kept in its housing, in a clean condition, as an incorrect position or a dirty probe may cause an alteration in the control of the temperature.



GAS OVEN SETTING	
Number printed on the knob Temperature in °F	Corresponding temperature in °C
300	149
350	177
400	204
450	232
500	260

OVEN THERMOSTAT

The numbers printed on the control panel indicate the increasing oven temperature value (°F).
To regulate the temperature, set the chosen number onto the control knob indicator.
The position BROIL serves only to turn on the broil burner.

NOTE: When the range will not be used for long periods of time, set the gas knobs to their **OFF** positions and also close the gas shut-off valve placed on the main gas supply line.

VERY IMPORTANT: The oven/broil shall be used always with the door closed.

IGNITION OF THE OVEN BURNER

The thermostat allows the automatic control of the temperature.

The gas delivery to the oven burner is controlled by a two way thermostatic tap (oven and broil burners) with flame-failure device.

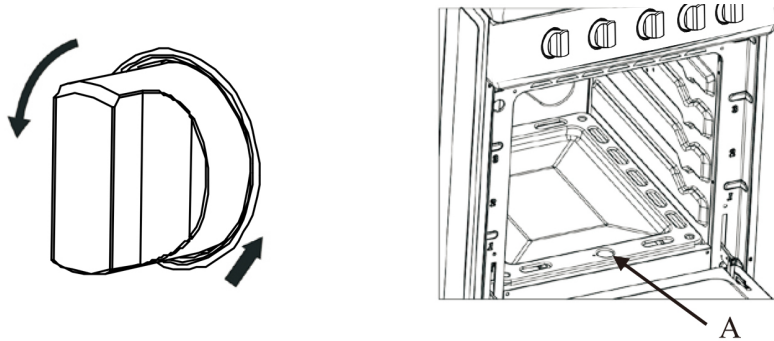
To light the oven burner operate as follows:

- 1) Open the oven door to its full extent.

WARNING: When the oven temperature reaches the setting temperature, the flame inside the oven will be small. Closing the door at the minimum flame will cause the flame out accidentally. Please make sure the small flame is going to be bigger before you close the door (no more than 60s).

Risk of explosion! The oven door must be open during this operation.

- 2) Lightly press and turn the thermostat knob counter-clockwise to max position or 500°F



- 3) Press the knob inward and hold to activate the electronic ignition. Note that you will hear a “clicking” noise. Hold the knob pressed inward until the oven burner is lit. Keep the button pressed down for a minimum of 15 seconds before releasing it.

In case of power outage, you can manually light the burner by pressing the knob inward and immediately approach a lighted match to the opening “A” (see the diagram above).

Never continue this operation for more than 15 seconds. If the burner has still not ignited, wait for about 1 minute prior to repeating the ignition.

- 4) When using the range for the first time or after long period of non-usage, keep pressing the knob inward for approximately 10 – 15 seconds after the burner has lit to ensure the gas valve has been accurately primed.

- 5) Close the oven door slowly and adjust the burner accordingly to the desired temperature. If the flame extinguishes for any reason, the safety valve will automatically shut off the gas supply to the burner.

To re-light the burner, first turn the oven control knob to the **OFF** position, wait for at least 1 minute and then repeat the lighting procedure.

Attention: the oven door becomes very hot during operation. Keep children away.

OVEN COOKING

Before introducing the food, preheat the oven to the desired temperature

For a correct preheating operation, it is advisable to remove the tray from the oven and introduce it together with the food, when the oven has reached the desired temperature.

Check the cooking time and turn off the oven 5 minutes before the theoretical time to recuperate the stored heat.

IGNITION OF THE BROIL BURNER

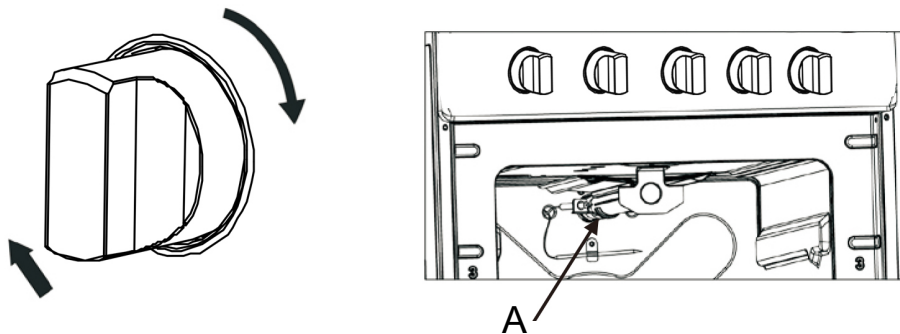
The broil burner generates the infra-red rays for broiling. To light the broil burner operate as follow:

To light the oven burner operate as follows:

1) Open the oven door to its full extent.

WARNING: Risk of explosion! The oven door must be open during this operation.

2) Lightly press and turn the thermostat knob clockwise to the broil position.



3) Press the knob inward and hold to activate the electronic ignition. Note that you will hear a “clicking” noise. Hold the knob pressed inward until the oven burner is lit. Once the oven burner is lit, release the knob.

In case of power outage, you can manually light the burner by pressing the knob inward and immediately approach a lighted match to the area “A” (see the diagram above).

Never continue this operation for more than 15 seconds. If the burner has still not ignited, wait for about 1 minute prior to repeating the ignition.

4) When using the range for the first time or after long period of non-usage, keep pressing the knob inward for approximately 10 – 15 seconds after the burner has lit to ensure the gas valve has been accurately primed.

5) Slowly close the oven door. If the flame extinguishes for any reason, the safety valve will automatically shut off the gas supply to the burner.

To re-light the burner, first turn the oven control knob to the **OFF** position, wait for at least 1 minute and then repeat the lighting procedure.

Do always broil with oven door closed. Attention: the oven door becomes very hot during operation. Keep children away.

OVEN LIGHT

The oven light is controlled by a push switch on the control panel.

The light can be used while cooking or cleaning the oven.

▲WARNING Check that power is disconnected from the electrical box before replacing the light bulb. Allow the oven to cool completely, then unscrew the light cover and remove the light bulb by unscrewing it from the socket. Replace with a 40-watt halogen bulb.

CONVECTION BAKE

Heat is transferred from the bake burners in the bottom of the oven cavity to the oven cavity itself. The convection fan at the rear of the oven then circulates it. This convection process provides a more even heat distribution throughout the oven cavity.

Using multiple racks is possible for large-batch baking. Convection cooking is faster, can be done at lower temperatures and provides more even temperatures than regular cooking.

BROILING

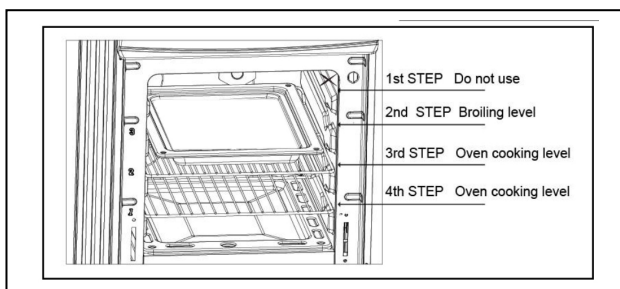
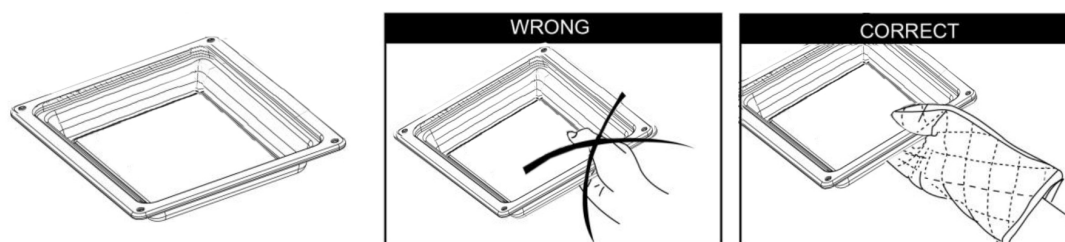
Very important: the broil burner must always be used with the oven door closed.

Position the oven rack on the second level from the top

-Turn on the broil burner, as explained in the preceding paragraphs and let the broil burner preheat for about 5 minutes with the door closed.

-Place the food to be cooked above the broiling pan.

-Introduce the broiling pan in the oven. The broiling pan should be placed above the shelf and it should be centered with the broil burner.



WARNING!!

WARNING-VERY IMPORTANT NOTICE

Never obstruct the oven vent slots on the backsplash.

- Do not broil without using the broiling pan.
- Important: Use always suitable protective gloves when inserting / removing the broiling pan, shelves, pans on other cooking utensils from the oven.
- Attention: the range becomes very hot during operation
- Attention: the oven door becomes very hot during operation
- Keep Children away
- Warning: The door is hot, make sure to use the handle

The appliance must be isolated from the gas supply piping system by closing its individual manual shut-off valve during any pressure testing of the gas supply piping system at test pressures equal to or less than 1/2 psi (3.5 kPa).

AIR FRYER (for FFSGS6272-24 FFSGS6290-24)

To cook your food to the perfect crispy-golden results, please follow the next steps:

Step 1: Move 1 oven rack to the lowest position to hold the baking pan.

Step 2: Place the baking pan on the bottom rack.

Step 3: Put your food onto the air fry basket and spread it evenly in a single layer.

Step 4: Insert the air fry rack in the middle position of the oven shelf, then close the door.

Step 5: Turn on the convection fan and set the oven temperature between 325°F and 350°F, and watch closely to the cooking food.

Tips:

1. Air Fry cooking requires little to no oil.
2. High-fat foods such as skin-on chicken wings, bacon or sausage can cause smoke when using the air fry component. Please add parchment paper or aluminum foil to the baking tray for easy cleaning purpose.
3. Make sure the baking pan is right underneath of the air fry basket, working as the drip tray.
4. Check your food often, because air fry cooking requires less time than regular cooking.
5. Open a door or window to ensure the cooking area is well ventilated.

STEAM CLEAN: (for FFSGS6272-24 FFSGS6290-24)

Step 1: Put 1 cup (240mL) of distilled or filtered water into the baking pan.

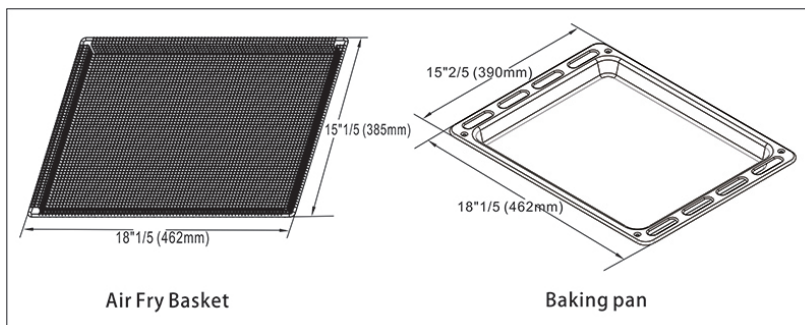
Step 2: Heat the oven to 450 °F for 20-30 minutes.

Step 3: Once the steam clean has completed, turn off your oven.

Step 4: When it's cool, wipe grease and debris from your oven using a damp rag or sponge. Concentrate on removing only debris and grease that comes off easily. The steam cleaning process will loosen up the more stubborn, caked on grime.

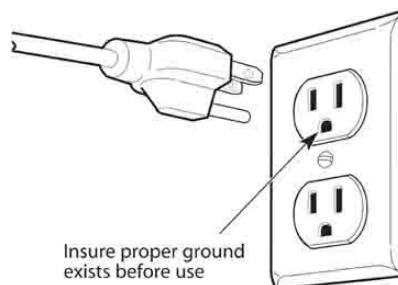
Tips:

1. Using distilled or filtered water instead of water from your tap will keep your oven free of water spots and mineral deposits.
2. Be sure to wait until your oven is completely cool before starting to clean it.
3. Make sure to clean any racks that are in the oven as well.
4. Do not leave the residual water in the oven for any length of time.
5. This step may get pretty messy, so be sure to put on some old clothes and keep a garbage can nearby.



CARE & MAINTENANCE

GENERAL RECOMMENDATION



Important: Before any operation of cleaning and maintenance disconnect the appliance from the electrical supply.

It is advisable to clean when the appliance is cold and especially for cleaning the enameled parts.

Avoid leaving alkaline or acidic substances (lemon juice, vinegar, etc.) on the surfaces.

Avoid using cleaning products with a chlorine or acidic base.

The oven must always be cleaned after every use, using suitable products and keeping in mind that its operation for 30 minutes on the highest temperature eliminates most grime reducing it to ashes.

ENAMELED PARTS

All the enameled parts must be cleaned with a sponge and soapy water only or other non-abrasive products.

Dry preferably with a chamois leather.

If acid substances such as lemon juice, tomato conserve, vinegar etc. are left on the enamel for a long time they will etch it, making it opaque.

STAINLESS STEEL ELEMENTS

Stainless steel parts must be rinsed with water and dried with a soft and clean cloth or with a chamois leather.

For difficult dirt, use a specific non-abrasive product available commercially or a little hot vinegar.

Note: regular use could cause discoloring around the burners, because of the high flame temperature.

INSIDE OF OVEN

This must be cleaned regularly. With the oven warm, wipe the inside walls with a cloth soaked in very hot soapy water or another suitable product.

GAS VALVES

In the event of operating faults in the gas valves, shut the main gas supply and call the Service Department.

**WARNING
VERY IMPORTANT**

Before any operation of maintenance disconnect the appliance from the electrical mains supply.

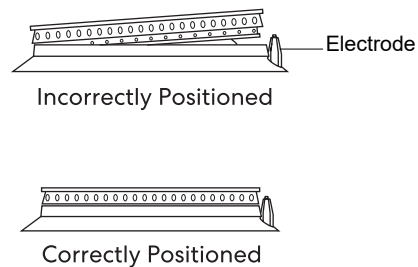
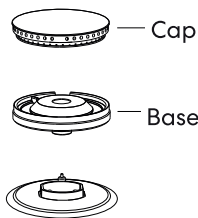
Do not use steam jet cleaners because the humidity could infiltrate into the appliance making it dangerous.

BURNERS AND GRIDS

- ✓ These parts can be removed and cleaned with appropriate products.
- ✓ After cleaning, the burners and their flame distributors must be well dried and correctly replaced.
- ✓ It is very important to check that the burner flame distributor and the cap has been correctly positioned - failure to do so can cause serious problems.
- ✓ In appliances with electric ignition keep the electrode clean so that the sparks always strike.
- ✓ **Note: To avoid damage to the electric ignition do not use it when the burners are not in place.**

CORRECT REPLACEMENT OF THE BURNERS

It is very important to check that the burner base and the cap have been correctly positioned. Failure to do so can cause serious problems.



Check that the electrode is always clean to ensure trouble-free sparking.

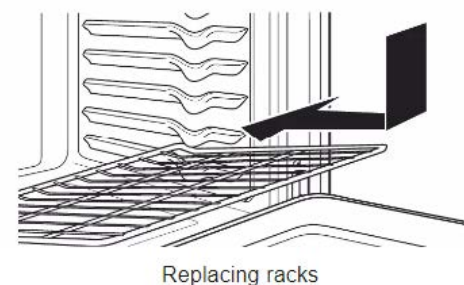
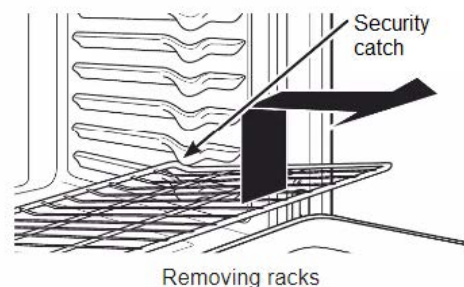
The ignition plug must be cleaned very carefully.

OVEN RACK INSTALLATION AND REMOVAL

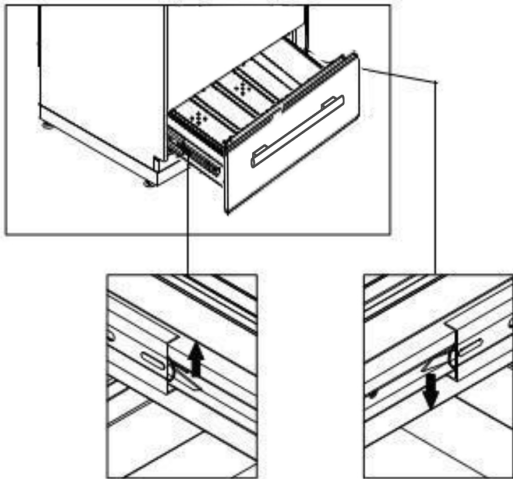
The oven racks are provided with a safety catch to prevent accidental extraction.

They must be inserted as shown.

To pull them out remove the rack in the reverse order.



REMOVABLE STORAGE DRAWER



① Lift the left small hook upward, at the same time, push the right small hook downward.(see the picture)

② Pull the drawer out.

③ To replace the drawer, align the drawer with the rails and push inward.

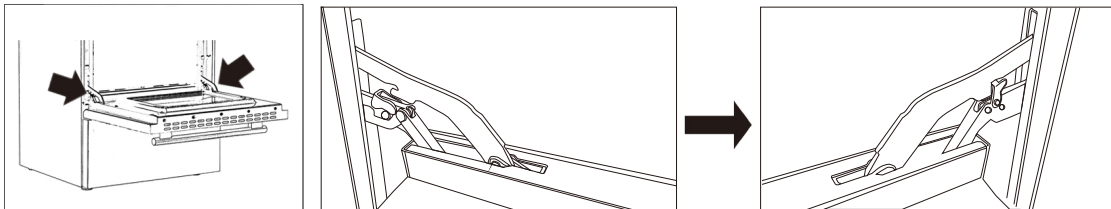
Do not store flammable material in the oven or in the bottom drawer.

REMOVING THE OVEN DOOR

To facilitate oven cleaning, it is possible to remove the door. Please follow the instructions carefully:

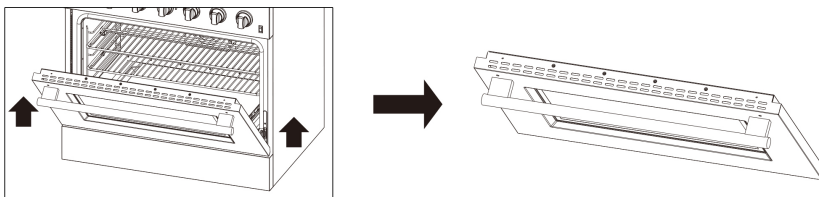
REMOVING THE OVEN DOOR

- The oven door can easily be removed as follows:
- Open the door to the full extends.
- Lift the left and right hooks on the hinge.
- Hold the door as shown in the figure.
- Gently close the door and lift the door with two hands when the hooks touch the door.
- Set the door on a soft flat surface.
- To replace the door, repeat the above steps in reverse order.



Step 1. Open the original door.

Step 2. Let the original door's hinge hooks touch the door.



Step 3. Pull the original door outside of the oven.

REPLACING THE OVEN LIGHT

- Let the oven cavity and broil burner cool down.
- Switch off the electric supply.
- Remove the protective cover.
- Unscrew and replace the bulb with a new one suitable for high temperature (200°~ 500°F) having the same specifications: 120V 60Hz, 15W, E14.
- Replace the protective cover.

NOTE: Oven bulb replacement is not covered by your guarantee.

PROBLEMS WITH YOUR GAS RANGE?

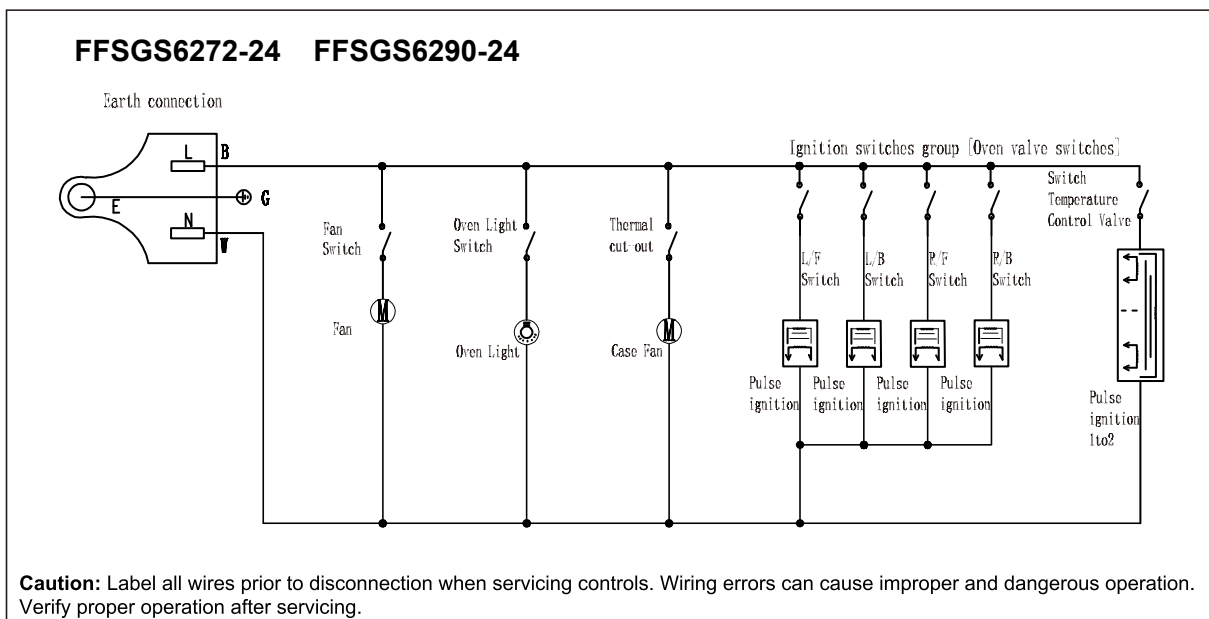
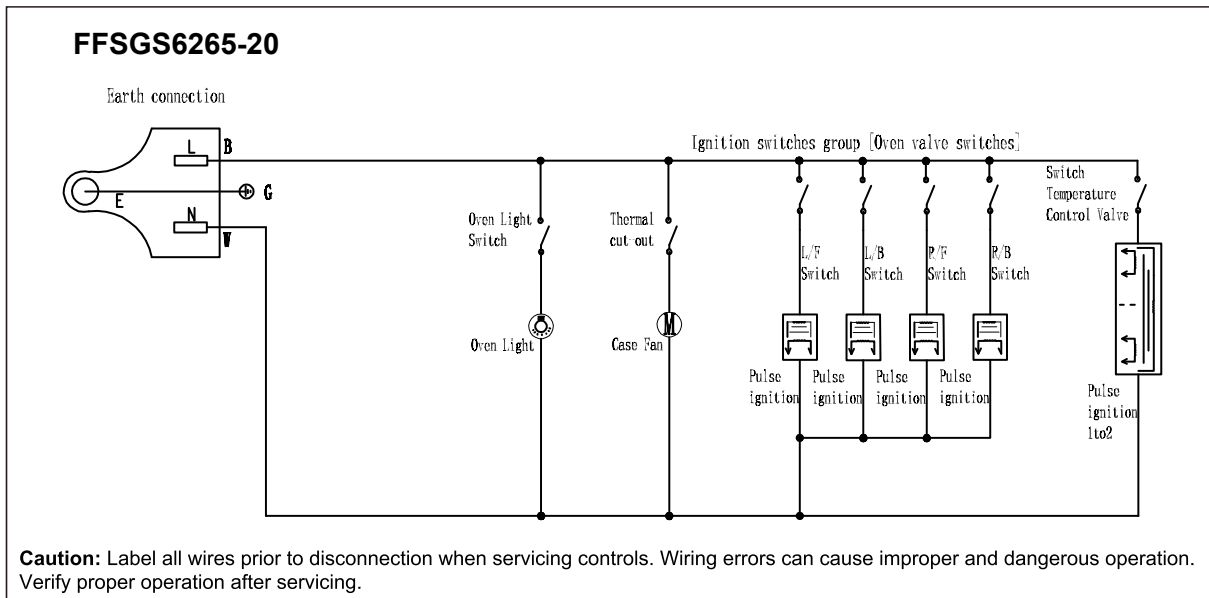
You can solve many common appliance problems easily, saving you the cost of a possible service call. Try the suggestions below to see if you can solve the problem before calling the servicer.

TROUBLESHOOTING GUIDE

FIND YOUR PROBLEM HERE	POSSIBLE CAUSE	HOW TO FIX IT
Surface burners do not light.	Surface control has not been completely turned to the ON position.	Push in and turn control to the ON position until burner ignites, then turn control to desired flame setting.
	Burner ports are clogged.	Use a small gauge wire or needle to open ports.
	Burners not positioned properly.	Verify that the burners are positioned properly on the orifice hoods and the burners are sitting flat on the burner support with tabs engaged in slots.
	Range not set for appropriate gas input.	See range conversion section of installation manual.
	Pilot lights won't light due to power failure.	Light pilots manually.
	Range power cord is disconnected from the outlet.	Be sure power cord is plugged into grounded outlet.
Flame burns halfway round.	Burner ports are clogged.	Use a small gauge wire or needle to open ports.
	Moisture is present after cleaning.	Lightly fan the flame and allow burner to operate until flame is full. OR dry burners thoroughly following instructions in range "Cleaning" section.
	Range is not set for appropriate gas input.	See range conversion section of installation manual.
Flame is orange.	Dust particles in main line.	Allow burner to operate for a few minutes until flame turns blue.
	Range is not set for appropriate gas input.	See range conversion section of installation manual.
Oven light does not work.	Burned out or loose bulb	Tighten or replace oven light bulb.
Oven or broiler does not heat.	Range is not set for appropriate gas input.	See range conversion section of installation manual.
	Temperature control not set properly.	Make sure temperature control is set at desired temperature.
	Pilot light will not light due to power failure.	Light pilots manually.
	House fuse has blown or circuit breaker has tripped.	Check/reset circuit breaker and/or replace fuse. Do not increase fuse capacity. If the problem is a circuit overload, have it corrected by a qualified electrician.
	Range cord is disconnected from outlet.	Be sure the power cord is plugged into a grounded outlet.
Oven temperature is inaccurate.	Oven capillary bulb not positioned properly.	Verify that capillary bulb is snapped in clips straight and not touching sides or coated with oven cleaner or food.
	Temperature control not set properly.	Make sure the temperature control knob is set at the desired temperature.
	Improper use of foil.	Keep foil clear of holes in oven bottom and off of oven sides.
	Vent blocked.	Keep vent on backguard clear.
	Range not set for appropriate	See range conversion section of installation

	gas input.	manual.
Smoke or odor on initial oven operation.	This is normal.	
Range is not level.	Poor installation.	Place oven rack in center of oven. Place a level on the rack. Adjust leveling legs.
	Weak or unstable floor.	Be sure floor is level and can adequately support range. Contact carpenter to correct sagging or sloping floor.
	Kitchen cabinet misalignment may make range appear to be unlevelled.	Be sure cabinets are square and have sufficient room for range clearance. Contact cabinet maker to correct problem
Oven smokes excessively.	Meat too close to broiler burner.	Reposition the broiler pan to provide more clearance between the meat and the broiler burner
	Meat not prepared properly.	Remove excess fat from meat.

Wiring Diagram





CUISINIÈRE À GAZ AUTOPORTANTE



Intertek
5015011

Conforme à CSA / ANSI STD Z21.1
Certifié selon CSA STD 1.1

MANUEL D'INSTRUCTION

SPÉCIFICATIONS, INSTALLATION, ET PLUS ENCORE

NUMÉROS DE MODÈLE :



FFSGS6265-20



FFSGS6272-24

FFSGS6290-24

SOMMAIRE	
SERVICE À LA CLIENTÈLE	3
GARANTIE	4
INFORMATION DES CONSOMMATEURS	6
INFORMATIONS IMPORTANTES EN MATIÈRE DE SÉCURITÉ	8
CARACTÉRISTIQUES DE VOTRE GAMME	12
BRÛLEURS DE TABLE DE CUISSON	12
AVANT D'UTILISER VOTRE CUISINIÈRE À GAZ	13
PRÉCAUTIONS ET RECOMMANDATIONS IMPORTANTES	15
INSTRUCTIONS POUR LA MISE A LA TERRE	17
CHOIX DU BRÛLEUR	18
INSTRUCTIONS D'INSTALLATION	18
DIMENSIONS DES PRODUITS ET ARMOIRES	19
INSTALLATION DE L'ARMOIRE	19
RACCORDEMENT AU GAZ ET À L'ÉLECTRICITÉ	20
COMMENT INSTALLER LE DOSSERET	20
COMMENT NIVELER LA GAMME	21
RACCORDEMENT AU GAZ	22
CONVERSION DU GAZ NATUREL (NG) AU PROPANE (LPG)	23
RÉGLAGE DU RÉGULATEUR DE PRESSION	23
REMPLACEMENT DES INJECTEURS DES BRÛLEURS DU FOUR / GRIL	25
RÉGLAGE DU BRÛLEUR RÉGLAGE MINIMUM	25
COMMENT UTILISER LE FOUR À GAZ	26
UTILISATION DU FOUR POUR LA PREMIÈRE FOIS	26
BRÛLEUR DE FOUR	26
THERMOSTAT DU FOUR	26
ALLUMAGE DU BRÛLEUR DU FOUR	27
ALLUMAGE DU BRÛLEUR DU GRIL	28
VOYANT DU FOUR	28
CUISSON PAR CONVECTION	29
GRILLAGE	29
FRYER A AIR	30
NETTOYAGE À LA VAPEUR	30
ENTRETIEN ET MAINTENANCE	31
RECOMMANDATION GÉNÉRALE	31
REMPLACEMENT CORRECT DES BRÛLEURS	32
INSTALLATION ET RETRAIT DE LA GRILLE DU FOUR	32
TIROIR DE RANGEMENT AMOVIBLE	33
RETRAIT DE LA PORTE DU FOUR	33
REMPLACEMENT DE LA LAMPE DU FOUR	33
GUIDE DE DÉPANNAGE	34
SCHÉMA DE CÂBLAGE	36

SERVICE À LA CLIENTÈLE

Nous vous remercions d'avoir acheté un produit **FORNO**. Veuillez lire l'intégralité du mode d'emploi avant d'utiliser votre nouvel appareil pour la première fois. Que vous soyez un utilisateur occasionnel ou un expert, il vous sera utile de vous familiariser avec les pratiques de sécurité, les caractéristiques, le fonctionnement et les recommandations d'entretien de votre appareil.

Le modèle et le numéro de série sont indiqués à l'intérieur du produit. Pour les besoins de la garantie, vous aurez également besoin du numéro de série, de la date d'achat et d'une copie de votre preuve d'achat. Notez ces informations ci-dessous pour référence ultérieure.

SERVICE INFORMATION

Utilisez ce numéro dans toute correspondance ou appel de service concernant votre produit.

Model Number

Si vous avez reçu un produit endommagé, contactez immédiatement **FORNO**.

Serial Number

Gagnez du temps et de l'argent. Avant de faire appel au service après-vente, consultez le guide de dépannage. Il répertorie les causes des problèmes mineurs de fonctionnement que vous pouvez corriger vous-même.

Date of Purchase

Purchase Address & Phone

SERVICE AU CANADA ET AUX ÉTATS-UNIS

Conservez le manuel d'instructions à portée de main pour répondre à vos questions. Vous pouvez également trouver toutes les informations nécessaires en ligne sur le site www.forno.ca.

Si vous ne comprenez pas quelque chose ou si vous avez besoin d'aide, veuillez consulter notre site web ou envoyer un courrier électronique à l'adresse suivante : info@forno.ca

En cas de problème, veuillez contacter le service clientèle de FORNO. Veuillez noter qu'un dépannage avec un représentant du service clientèle sera nécessaire avant de pouvoir envoyer un prestataire de services. Toute intervention sous garantie doit être autorisée par le service clientèle de FORNO. Tous nos prestataires de services agréés sont soigneusement sélectionnés et rigoureusement formés par nos soins.

Garantie

Ce que couvre cette garantie limitée :

La couverture de la garantie fournie par Forno Appliances dans la présente déclaration s'applique exclusivement à l'appareil Forno original (" Produit ") vendu au consommateur (" Acheteur ") par un concessionnaire/distributeur/détaillant Forno agréé, acheté et installé aux États-Unis ou au Canada, et qui est toujours resté dans le pays d'achat d'origine (les États-Unis ou le Canada). La couverture de la garantie est activée à la date de l'achat initial du produit au détail et a une durée de deux (2) ans.

La couverture de la garantie n'est pas transférable. En cas de remplacement de pièces ou de l'ensemble du produit, le produit de remplacement (ou les pièces) bénéficiera de la garantie d'origine restante, activée avec le document d'achat au détail d'origine. La présente garantie n'est pas prolongée en cas de remplacement. Forno Appliances réparera ou remplacera tout composant/partie qui tombe en panne ou s'avère défectueux en raison des matériaux et/ou de la fabrication dans les deux ans suivant la date de l'achat au détail d'origine et dans des conditions d'utilisation résidentielle ordinaire et non commerciale. La réparation ou le remplacement sera gratuit, y compris la main-d'œuvre aux taux standard et les frais d'expédition. Il incombe à l'acheteur de rendre le produit raisonnablement accessible pour l'entretien. Le service de réparation doit être effectué par une société de service agréée par Forno pendant les heures normales de travail.

IMPORTANT

Conserver la preuve de l'achat original pour établir la période de garantie. La responsabilité de Forno pour toute réclamation de quelque nature que ce soit, concernant les marchandises et/ou les services fournis, ne dépassera en aucun cas la valeur des marchandises ou des services ou d'une partie de ceux-ci qui ont donné lieu à la réclamation.

Garantie cosmétique de 30 jours

L'acheteur doit inspecter le produit au moment de la livraison. Forno garantit que le produit est exempt de défauts de fabrication et de main-d'œuvre pendant une période de trente (30) jours à compter de la date d'achat au détail du produit.

Cette couverture comprend

- Défauts de peinture
- Ébréchure
- Défauts de finition macroscopiques

La garantie cosmétique ne couvre PAS :

- > les problèmes résultant d'un transport, d'une manipulation et/ou d'une installation incorrects (par exemple : bosses, structures ou composants cassés, déformés ou déformants, composants en verre fissurés ou autrement endommagés) ;
- > légères variations de couleur sur les composants peints/émaillés ;
- > les différences dues à l'éclairage naturel ou artificiel, à l'emplacement ou à d'autres facteurs analogues ;
- > les taches/corrosion/décoloration causées par des substances externes et/ou des facteurs environnementaux ;
- > les coûts de main-d'œuvre, l'exposition, l'étage, le stock B, les appareils hors boîte, les appareils "tels quels" et les unités de démonstration.

Comment recevoir un service

Pour bénéficier des services de garantie, l'acheteur doit contacter le service d'assistance de Forno afin de déterminer le problème et les procédures de service requises. Un dépannage avec un représentant du service clientèle sera nécessaire avant de procéder à l'intervention. Le numéro de modèle, le numéro de série et la date d'achat au détail seront demandés.

Exclusions de la garantie : Ce qui n'est pas couvert.

- > L'utilisation du produit dans une application commerciale non résidentielle.
- > L'utilisation du produit à d'autres fins que celles prévues.
- > Les services de réparation fournis par toute personne autre qu'une agence de service agréée par Forno.
- > Les dommages ou les services de réparation pour corriger des services fournis par des parties non autorisées ou l'utilisation de pièces non autorisées.
- > L'installation n'est pas conforme aux codes du feu, aux codes électriques, aux codes du gaz, aux codes de plomberie, aux codes du bâtiment, aux lois ou aux réglementations locales/de l'État/de la ville/du comté.
- > Défauts ou dommages dus à un stockage inadéquat du produit.
- > Défauts, dommages ou pièces manquantes sur les produits vendus hors de l'emballage d'origine ou des présentoirs.
- > Les appels de service ou les réparations visant à corriger une installation incorrecte du produit et/ou des accessoires connexes.
- > Remplacement de pièces/appels de service pour connecter, convertir ou réparer le câblage électrique et/ou la conduite de gaz afin d'utiliser correctement le produit.
- > Remplacement de pièces/appels de service pour fournir des instructions et des informations sur l'utilisation du produit.
- > Remplacement de pièces/appels de service pour corriger des problèmes résultant de l'utilisation du produit d'une manière autre que celle qui est normale et habituelle pour un usage résidentiel.
- > Remplacement de pièces/appels de service en raison de l'usure des composants tels que les joints, les boutons, les supports de casseroles, les étagères, les paniers à couverts, les boutons, les écrans tactiles, les plateaux en vitrocéramique rayés ou cassés.
- > Remplacement des pièces/appels de service en cas de manque d'entretien ou d'entretien inadéquat, y compris, mais sans s'y limiter, l'accumulation de résidus, de taches, de rayures, de décoloration et de corrosion.
- > Défauts et dommages résultant d'accidents, de modifications, d'une mauvaise utilisation, d'un abus ou d'une installation incorrecte.
- > Défauts et dommages résultant du transport, de la logistique et de la manutention du produit. L'inspection du produit doit être effectuée au moment de la livraison. Après réception et inspection, le revendeur/livreur doit être informé de tout problème lié à la manutention, au transport et à la logistique.
- > Défauts et dommages résultant de forces extérieures échappant au contrôle de Forno Appliances, y compris, mais sans s'y limiter, le vent, la pluie, le sable, les incendies, les inondations, les coulées de boue, les températures glaciales, l'humidité excessive ou l'exposition prolongée à l'humidité, les surtensions, la foudre, les défaillances structurelles entourant l'appareil et d'autres cas de force majeure.
- > Les produits dont le numéro de série a été modifié, endommagé ou altéré. Forno ne sera en aucun cas tenu pour responsable des dommages causés aux biens environnants, y compris les meubles, les armoires, les revêtements de sol, les panneaux et autres structures entourant le Produit. Forno n'est pas responsable du Produit s'il est situé dans une région éloignée ou dans une région où des techniciens certifiés et formés ne sont pas raisonnablement disponibles. L'acheteur doit prendre en charge tous les frais de transport et de livraison du produit jusqu'au centre de service agréé le plus proche ou les frais de déplacement supplémentaires d'un technicien certifié.

IL N'EXISTE AUCUNE GARANTIE EXPRESSE AUTRE QUE CELLES ÉNUMÉRÉES ET DÉCRITES CI-DESSUS, ET AUCUNE GARANTIE, EXPRESSE OU IMPLICITE, Y COMPRIS, MAIS SANS S'Y LIMITER, TOUTE GARANTIE IMPLICITE DE QUALITÉ MARCHANDE OU D'ADÉQUATION À UN USAGE PARTICULIER QUI S'APPLIQUERAIT APRÈS LES PÉRIODES DE GARANTIE EXPRESSE INDIQUÉES CI-DESSUS, ET AUCUNE AUTRE GARANTIE EXPRESSE OU GARANTIE DONNÉE PAR UNE PERSONNE, UNE ENTREPRISE OU UNE SOCIÉTÉ EN CE QUI CONCERNE CE PRODUIT NE LIERA FORNO. FORNO N'EST PAS RESPONSABLE DE LA PERTE DE REVENUS OU DE BÉNÉFICES, DE LA NON-RÉALISATION D'ÉCONOMIES OU D'AUTRES AVANTAGES, DE L'ABSENCE AU TRAVAIL, DES REPAS, DE LA PERTE DE NOURRITURE OU DE BOISSONS, DES FRAIS DE VOYAGE OU D'HÔTEL, DES FRAIS DE LOCATION OU D'ACHAT D'APPAREILS, DES FRAIS DE RÉNOVATION/ CONSTRUCTION DÉPASSANT LES DOMMAGES DIRECTS INDÉNIABLEMENT CAUSÉS EXCLUSIVEMENT PAR FORNO OU DE TOUT AUTRE DOMMAGE SPÉCIAL, ACCESSOIRE OU CONSÉCUTIF CAUSÉ PAR L'UTILISATION, LA MAUVAISE UTILISATION OU L'INCAPACITÉ D'UTILISER CE PRODUIT, QUELLE QUE SOIT LA THÉORIE JURIDIQUE SUR LAQUELLE REPOSE LA RÉCLAMATION, ET MÊME SI FORNO A ÉTÉ INFORMÉE DE LA POSSIBILITÉ DE TELS DOMMAGES. EN OUTRE, LE MONTANT DE TOUT RECOUVREMENT À L'ENCONTRE DE FORNO NE POURRA ÊTRE SUPÉRIEUR AU PRIX D'ACHAT DU PRODUIT VENDU PAR FORNO ET À L'ORIGINE DU DOMMAGE ALLÉGUÉ. SANS PRÉJUDICE DE CE QUI PRÉCÈDE, L'ACHETEUR ASSUME TOUS LES RISQUES ET TOUTES LES RESPONSABILITÉS EN CAS DE PERTE, DE DOMMAGE OU DE BLESSURE DE L'ACHETEUR ET DE SES BIENS, AINSI QUE D'AUTRES PERSONNES ET DE LEURS BIENS, RÉSULTANT DE L'UTILISATION, DE LA MAUVAISE UTILISATION OU DE L'INCAPACITÉ D'UTILISER CE PRODUIT VENDU PAR FORNO ET NE RÉSULTANT PAS DIRECTEMENT D'UNE NÉGLIGENCE DE LA PART DE FORNO CETTE GARANTIE LIMITÉE NE S'ÉTEND À PERSONNE D'AUTRE QUE L'ACHETEUR D'ORIGINE DE CE PRODUIT, N'EST PAS TRANSFÉRABLE ET CONSTITUE VOTRE SEUL ET UNIQUE RECOURS.

INFORMATION DES CONSOMMATEURS

SÉCURITÉ DE LA CUISINIÈRE

Votre sécurité et celle des autres sont très importantes.

De nombreux messages de sécurité importants figurent dans ce manuel et sur votre appareil. Lisez et respectez toujours tous les messages de sécurité.



Il s'agit d'un symbole d'alerte à la sécurité. Il vous avertit des risques potentiels pour la sécurité des personnes et des biens. Respectez tous les messages de sécurité afin d'éviter tout dommage matériel, corporel ou mortel.

⚠ AVERTISSEMENT

AVERTISSEMENT indique une situation potentiellement dangereuse qui, si elle n'est pas évitée, peut entraîner des blessures graves, voire mortelles.

⚠ MISE EN GARDE

ATTENTION indique une situation modérément dangereuse qui, si elle n'est pas évitée, peut entraîner des blessures mineures ou modérées.

Tous les messages de sécurité vous alertent sur le danger potentiel, vous indiquent comment réduire les risques de blessure et vous informent de ce qui peut arriver si les instructions ne sont pas suivies.

⚠ AVERTISSEMENT

Si les informations contenues dans ce manuel ne sont pas suivies à la lettre, un incendie ou une explosion peut se produire, entraînant des dommages matériels, des blessures corporelles ou la mort.

Ne pas stocker ou utiliser d'essence ou d'autres vapeurs et liquides inflammables à proximité de l'appareil ou de tout autre appareil.

- QUE FAIRE EN CAS D'ODEUR DE GAZ

- N'essayez pas d'allumer un appareil.
- Ne touchez à aucun interrupteur électrique.
- N'utilisez aucun téléphone dans votre bâtiment.
- Appelez immédiatement votre fournisseur de gaz à partir du téléphone d'un voisin.

Suivez les instructions du fournisseur de gaz.

- Si vous ne parvenez pas à joindre votre fournisseur de gaz, appelez les pompiers.

L'installation et l'entretien doivent être effectués par un installateur qualifié, un service d'entretien ou le fournisseur de gaz.

DISPOSITIF ANTI-BASCULEMENT

	<p style="text-align: center;"> AVERTISSEMENT</p> <p>Un enfant ou un adulte peut faire basculer la cuisinière et cela peut causer des blessures graves ou mortelles. Installez le dispositif anti-basculement sur la cuisinière et/ou la structure conformément aux consignes d'installation. Engagez la cuisinière sur le dispositif anti-basculement installé sur la structure. Si la cuisinière est retirée, réengagez le dispositif anti-basculement. Si ces précautions ne sont pas respectées, la mort ou les blessures graves et/ou des brûlures peuvent survenir chez les enfants et les adultes.</p>
 <p>Pied arrière de la cuisinière Dispositif Anti-Basculement</p>	
<p>INFORMATION DU CONSOMMATEUR - L'INSTALLATEUR NE DOIT PAS ENLEVER Avant de retirer l'étiquette, s'assurer que le support anti-basculement est correctement installé.</p>	

La cuisinière doit être sécurisée à l'aide d'un dispositif anti-basculement correctement installé et fourni avec la cuisinière afin de réduire son risque de basculement. Reportez-vous aux consignes d'installation fournies avec la fixation pour obtenir toute les précisions avant de commencer l'installation. Toutes les cuisinières peuvent basculer et causer des blessures.

AVERTISSEMENT

Ce produit peut vous exposer à des produits chimiques, y compris le monoxyde de carbone, qui est reconnu par l'État de Californie comme causant des dommages au développement. Pour plus d'informations, consultez le site www.P65Warnings.ca.gov

L'installation doit être conforme aux codes locaux ou, en l'absence de codes locaux, au National Fuel Gas Code, ANSI Z223.1/NFPA 54 ou, au Canada, au Code d'installation du gaz naturel et du propane, CSA B149.1.

AVERTISSEMENT

Ne jamais faire fonctionner la section de cuisson de la surface supérieure de l'appareil sans surveillance.

Le non-respect de cet avertissement peut entraîner un incendie, une explosion ou un risque de brûlure susceptible de provoquer des dommages matériels, des blessures ou la mort.

En cas d'incendie, éloignez-vous de l'appareil et appelez immédiatement les pompiers.

N'ESSAYEZ PAS D'ÉTEINDRE UN FEU D'HUILE/DE GRAISSE AVEC DE L'EAU

INFORMATIONS IMPORTANTES EN MATIÈRE DE SÉCURITÉ

LIRE TOUTES LES INSTRUCTIONS AVANT D'UTILISER L'APPAREIL

⚠ AVERTISSEMENT Lisez toutes les consignes de sécurité avant d'utiliser le produit. Le non-respect de ces instructions peut entraîner un incendie, un choc électrique, des blessures graves ou la mort.

CONSIGNES DE SÉCURITÉ GÉNÉRALES

⚠ AVERTISSEMENT N'utilisez jamais cet appareil comme chauffage d'appoint pour chauffer ou réchauffer la pièce. Cela pourrait entraîner une intoxication au monoxyde de carbone et une surchauffe du four.

1. Utilisez cette cuisinière pour l'usage auquel elle est destinée, tel qu'il est décrit dans ce manuel d'instructions.
2. Faites installer et mettre à la terre votre cuisinière par un installateur qualifié, conformément aux instructions d'installation fournies.
3. Tout réglage ou entretien ne doit être effectué que par un installateur de cuisinière à gaz ou un technicien d'entretien qualifié. N'essayez pas de réparer ou de remplacer une pièce de votre cuisinière à moins que cela ne soit spécifiquement recommandé dans ce manuel.
4. Votre cuisinière est expédiée de l'usine réglée pour fonctionner au gaz naturel. Elle peut être convertie pour fonctionner au propane liquide. Le cas échéant, ces réglages doivent être effectués par un technicien qualifié, conformément aux instructions d'installation et aux codes locaux. L'agence qui effectue ce travail assume la responsabilité de la conversion.
5. Demandez à l'installateur de vous montrer où se trouve le robinet d'arrêt du gaz de la cuisinière et comment le fermer si nécessaire.
6. Branchez votre cuisinière dans une prise de 120 volts avec mise à la terre uniquement. Ne retirez pas la broche ronde de mise à la terre de la prise. En cas de doute sur la mise à la terre du système électrique domestique, il est de votre responsabilité et de votre obligation d'avoir une prise non mise à la terre conformément au Code national de l'électricité. N'utilisez pas de code d'extension avec cette cuisinière.
7. Avant toute intervention, débranchez la cuisinière ou coupez l'alimentation électrique au niveau du panneau de distribution domestique en retirant le fusible ou en coupant le disjoncteur.
8. Veillez à ce que tous les matériaux d'emballage soient retirés de la cuisinière avant de l'utiliser afin d'éviter toute inflammation de ces matériaux.
9. Évitez de rayer ou de heurter les vitres visibles. Cela pourrait entraîner un bris de verre. Ne cuisinez pas sur un produit dont le verre est brisé. Des chocs, des incendies ou des coupures peuvent se produire.
10. Ne laissez pas les enfants seuls ou sans surveillance dans une zone où un appareil est en cours d'utilisation. Ils ne doivent jamais être autorisés à grimper, à s'asseoir ou à se tenir debout sur une quelconque partie de la cuisinière.
11. **⚠ MISE EN GARDE** Ne rangez pas d'objets susceptibles d'intéresser les enfants dans les armoires situées au-dessus d'un four. Les enfants qui grimpent sur le four pour atteindre les objets risquent de se blesser gravement.
12. Ne bloquez jamais les événements (ouvertures d'air) de la cuisinière. Elles fournissent les entrées et sorties d'air nécessaires au bon fonctionnement de la cuisinière et à une combustion correcte. Les ouvertures d'aération sont situées à l'arrière de la table de cuisson, en haut et en bas de la porte du four, et en bas de la cuisinière.

13. N'utilisez que des maniques sèches. Des maniques humides ou mouillées sur des surfaces chaudes peuvent provoquer des brûlures dues à la vapeur. Ne laissez pas les maniques toucher les brûleurs de surface, la grille des brûleurs ou l'élément chauffant du four. N'utilisez pas de serviette ou d'autres tissus volumineux à la place des maniques.

14. Ne touchez pas les éléments chauffants ou la surface intérieure du four. Ces surfaces peuvent être suffisamment chaudes pour provoquer des brûlures, même si elles sont de couleur foncée. Pendant et après l'utilisation, ne touchez pas et ne laissez pas vos vêtements ou d'autres matériaux inflammables entrer en contact avec l'intérieur du four ; laissez d'abord refroidir l'appareil. D'autres surfaces de l'appareil peuvent devenir suffisamment chaudes pour provoquer des brûlures. Les surfaces potentiellement chaudes comprennent les brûleurs, les grilles, l'ouverture de l'évent du four, les surfaces proches de l'ouverture, les crevasses autour de la porte du four, les garnitures métalliques au-dessus de la porte, toute protection arrière ou surface d'étagère haute.

15. Ne pas chauffer des récipients alimentaires non ouverts. La pression pourrait s'accumuler et le récipient pourrait éclater, provoquant des blessures.

⚠ AVERTISSEMENT

Extrêmement lourd.

Un équipement approprié et une main-d'œuvre suffisante sont nécessaires pour déplacer la cuisinière afin d'éviter les blessures ou les dommages à l'appareil ou au sol.

Le non-respect de ces conseils peut entraîner des dommages ou des blessures.

⚠ AVERTISSEMENT

NE PAS porter ou soulever la cuisinière par la poignée de la porte du four ou par le panneau de commande !



Correct



Incorrect



⚠ AVERTISSEMENT CONSIGNES DE SÉCURITÉ GÉNÉRALES (suite)

Faites bien cuire les aliments pour vous protéger contre les maladies d'origine alimentaire. Les recommandations relatives à la température minimale de sécurité des aliments figurent sur les sites www.IsItDoneYet.gov et www.fsis.usda.gov. Utilisez un thermomètre alimentaire pour prendre la température des aliments et vérifiez à plusieurs endroits.

Ne laissez personne grimper, se tenir debout ou se suspendre à la porte du four, au tiroir ou à la table de cuisson. Ils pourraient endommager la cuisinière ou la faire basculer, entraînant des blessures graves, voire mortelles.

Maintenez la hotte du ventilateur et le filtre à graisse propres pour assurer une bonne ventilation et éviter les feux de graisse. Éteignez le ventilateur en cas d'incendie ou lorsque vous faites intentionnellement flamber de l'alcool ou d'autres spiritueux sur la table de cuisson. Le ventilateur, s'il fonctionne, peut propager les flammes.

⚠ AVERTISSEMENT ÉLOIGNER LES MATÉRIAUX INFLAMMABLES DE LA CUISINIÈRE

Le non-respect de cette consigne peut entraîner un incendie ou des blessures.

Ne rangez pas et n'utilisez pas de matériaux inflammables dans un four ou à proximité de la table de cuisson, y compris le papier, le plastique, les maniques, le linge, les revêtements muraux, les rideaux et l'essence ou d'autres vapeurs et liquides inflammables.

Ne portez jamais de vêtements amples ou pendants lorsque vous utilisez l'appareil. Ces vêtements peuvent s'enflammer s'ils entrent en contact avec des surfaces chaudes et provoquer de graves brûlures.

Ne laissez pas la graisse de cuisson ou d'autres matériaux inflammables s'accumuler à l'intérieur ou à proximité de la cuisinière. La graisse dans le four ou sur la table de cuisson peut s'enflammer.

⚠ AVERTISSEMENT EN CAS D'INCENDIE, PRENEZ LES MESURES SUIVANTES POUR ÉVITER LES BLESSURES ET LA PROPAGATION DU FEU

Ne pas utiliser d'eau sur les feux de graisse. Ne ramassez jamais une casserole enflammée. Éteignez les commandes. Étouffez une casserole enflammée sur une unité de surface en la recouvrant complètement d'un couvercle bien ajusté, d'une plaque à biscuits ou d'un plateau plat. Utilisez un extincteur polyvalent à poudre ou à mousse.

En cas d'incendie dans le four pendant la cuisson, étouffez le feu en fermant la porte du four et en éteignant le four ou en utilisant un extincteur polyvalent à poudre ou à mousse.

En cas d'incendie dans le four pendant l'autonettoyage, éteignez le four et attendez que le feu s'éteigne. **Ne forcez pas l'ouverture de la porte.** L'introduction d'air frais aux températures d'auto-nettoyage peut entraîner une explosion de flammes dans le four. Le non-respect de cette instruction peut entraîner de graves brûlures.

⚠ AVERTISSEMENT CONSIGNES DE SÉCURITÉ DE LA TABLE DE CUISSON

Ne laissez jamais les brûleurs de surface sans surveillance à des températures moyennes ou élevées. Les aliments, en particulier les aliments gras, peuvent s'enflammer et provoquer un incendie qui pourrait se propager aux meubles environnants. huileux, peuvent s'enflammer et provoquer un incendie qui pourrait se propager aux meubles environnants.

Ne laissez jamais l'huile sans surveillance pendant la friture. Si vous la laissez chauffer au-delà de son point de fumée, l'huile peut s'enflammer et provoquer un incendie qui pourrait se propager aux armoires environnantes. et provoquer un incendie qui pourrait se propager aux armoires environnantes. Dans la mesure du possible, utilisez un thermomètre pour graisses profondes afin de contrôler la température de l'huile.

Pour éviter les débordements d'huile et les incendies, utilisez la quantité minimale d'huile lorsque vous faites frire des aliments dans une poêle peu profonde et évitez de faire cuire des aliments congelés avec une quantité excessive de glace.

Utilisez des casseroles de taille appropriée et évitez celles qui sont instables ou qui basculent facilement. Choisissez des ustensiles de cuisine adaptés à la taille du brûleur. Les flammes du brûleur doivent être réglées de manière à ne pas dépasser le fond de la casserole. Des flammes excessives peuvent être dangereuses.

Si vous utilisez des ustensiles de cuisine en verre ou en céramique, assurez-vous qu'ils sont adaptés à la table de cuisson ; d'autres peuvent se briser en raison d'un changement soudain de température.

Pour minimiser les risques de brûlures, d'inflammation de matières inflammables et de débordements, les poignées des ustensiles de cuisine doivent être tournées vers le centre de la cuisinière, sans dépasser les brûleurs voisins.

N'utilisez pas de wok doté d'un anneau de support métallique rond. L'anneau peut retenir la chaleur et bloquer l'air vers le brûleur, entraînant un risque de monoxyde de carbone. et bloquer l'air vers le brûleur, ce qui entraînerait un risque de monoxyde de carbone. N'essayez pas de soulever la table de cuisson. Vous risqueriez d'endommager les tuyaux de gaz des brûleurs de surface, ce qui entraînerait une fuite de gaz et un risque d'incendie. Cela pourrait entraîner une fuite de gaz et un risque d'incendie.

N'utilisez pas de papier d'aluminium pour recouvrir les grilles ou toute autre partie de la table de cuisson. Cela pourrait entraîner une intoxication au monoxyde de carbone, une surchauffe des surfaces de la table de cuisson ou un risque d'incendie.

⚠ AVERTISSEMENT CONSIGNES DE SÉCURITÉ DU FOUR

Ne recouvrez JAMAIS les fentes, les trous ou les passages de la sole du four ou une grille entière avec des matériaux tels que du papier d'aluminium ou des revêtements de four. Cela bloquerait la circulation de l'air dans le four et pourrait provoquer une intoxication au monoxyde de carbone. Ne placez jamais de papier d'aluminium ou de papier sulfurisé sur la sole du four. Ils peuvent retenir la chaleur et entraîner un risque de fumée ou d'incendie. Éloignez-vous de la cuisinière lorsque vous ouvrez la porte du four. L'air chaud ou la vapeur qui s'échappe peut provoquer des brûlures aux mains, au visage et/ou aux yeux. Ne placez jamais d'ustensiles de cuisine, de pierres à pizza ou à pâtisserie, ni aucun type de papier d'aluminium ou de revêtement sur la sole du four. Ces éléments peuvent retenir la chaleur ou fondre, ce qui endommagerait le produit et entraînerait un risque de choc, de fumée ou d'incendie.

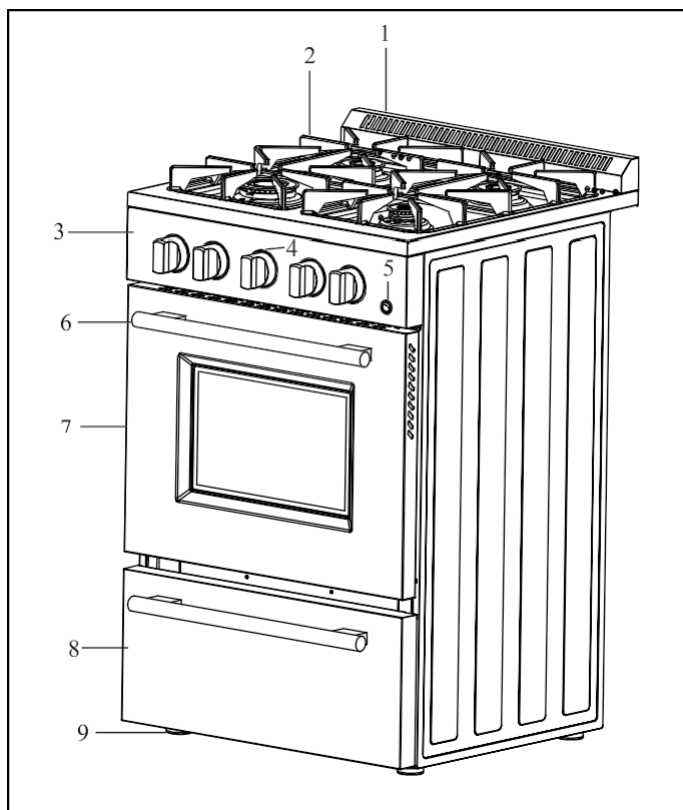
Placez les grilles du four à l'endroit désiré pendant que le four est froid. Si la grille doit être déplacée alors que le four est chaud, veillez à ne pas toucher les surfaces chaudes. Ne laissez pas d'objets tels que du papier, des ustensiles de cuisine ou des aliments dans le four lorsqu'il n'est pas utilisé. Les objets stockés dans un four peuvent s'enflammer.

Ne laissez pas d'objets sur la table de cuisson à proximité de l'évent du four. Les objets peuvent surchauffer et entraîner un risque d'incendie ou de brûlure.

Ne jamais faire griller avec la porte ouverte. Il n'est pas conseillé de griller avec la porte ouverte en raison de la surchauffe des boutons de commande.

CARACTÉRISTIQUES DE VOTRE CUISINIÈRE

	Index des caractéristiques
1	Évents de four (Dossieret)
2	Grilles de brûleur de la table de cuisson
3	Panneau de contrôle
4	Bouton du four/brûleur
5	Éclairage du four
6	Poignée
7	Porte du four
8	Tiroir
9	Système de mise à niveau



Toutes les caractéristiques ne sont pas présentes sur tous les modèles.

BRÛLEURS DE TABLE DE CUISSON

		Valeurs BTU/hr	
		20"	24"
1	Auxiliaire	2700	6000
2	Droite Semi-rapide	5000	9000
3	Gauche Semi-rapide	5000	9000
4	Rapide	8500	14000

Remarque :

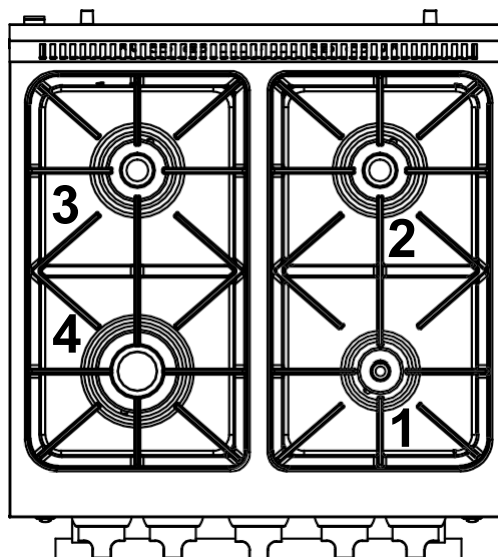
-Le dispositif d'allumage électrique des brûleurs au gaz est incorporé dans les boutons de contrôle.

ATTENTION :

Si le brûleur s'éteint accidentellement, coupez le gaz à l'aide du bouton de commande et attendez au moins une minute avant d'essayer de le rallumer.

ATTENTION :

Les appareils à gaz produisent de la chaleur et de l'humidité dans l'environnement où ils sont installés. Veillez à ce que la zone de cuisson soit bien ventilée conformément aux codes nationaux/locaux.



AVANT D'UTILISER VOTRE CUISINIÈRE À GAZ



AVERTISSEMENT !

FAIRE INSTALLER CETTE CUISINIÈRE PAR UN INSTALLATEUR QUALIFIÉ.
Une installation, un réglage, une modification, un entretien ou une maintenance incorrects peuvent entraîner des blessures ou des dommages matériels. Consultez un installateur qualifié, un service d'entretien ou le fournisseur de gaz.

➤ Avant d'utiliser votre cuisinière à gaz

- ✓ Enlever les emballages extérieurs et intérieurs.
- ✓ Enlever le film protecteur sur les pièces en acier et en aluminium
- ✓ Vérifiez que vous disposez de toutes les pièces énumérées ci-dessous:
 - 1 Dossieret
 - Kit de conversion pour propane liquide (6 injecteurs pour gaz propane liquide)
 - 1 Support anti-basculement
 - 2 grilles pour la table de cuisson
 - 2 grilles de four
 - 4 Capuchons et socles dans l'assemblage du brûleur
 - 1 Panier pour friture à l'air (pour FFSGS6272-24 FFSGS6290-24)
 - 1 plateau de cuisson (pour FFSGS6272-24 FFSGS6290-24)
 - 1 Régulateur (pré-installé)
 - 5 vis pour le dossieret
 - 1 Manuel
- ✓ Nettoyer la surface intérieure à l'eau tiède à l'aide d'un chiffon doux.
- ✓ Demandez à l'installateur de vous montrer où se trouve le robinet d'arrêt du gaz de la cuisinière et comment le fermer si nécessaire.
- ✓ N'essayez pas de réparer ou de remplacer une pièce de votre cuisinière à moins que cela ne soit spécifiquement recommandé dans ce manuel.
- ✓ Assurez-vous que votre cuisinière est correctement réglée par un technicien ou un installateur qualifié pour le type de gaz (naturel ou GPL) utilisé. type de gaz (naturel ou de pétrole liquéfié) utilisé.
- ✓ Ne retirez pas les étiquettes, avertissements ou plaques apposés de manière permanente sur l'appareil. Cela pourrait annuler la garantie.
- ✓ L'installateur doit laisser ces instructions au consommateur qui doit les conserver pour l'usage de l'inspecteur local et pour une utilisation future.
- ✓ Veuillez respecter tous les codes et ordonnances locaux et nationaux.

IMPORTANT:

Cet appareil est conçu et fabriqué uniquement pour la cuisson d'aliments domestiques et n'est pas adapté à une application non domestique et ne peut donc pas être utilisé dans un environnement commercial.

La garantie de l'appareil sera annulée si l'appareil est utilisé dans un environnement non domestique, c'est-à-dire un environnement semi-commercial, commercial ou communal.

Lisez attentivement les instructions avant d'installer et d'utiliser l'appareil.

⚠ AVERTISSEMENT Cet appareil ne doit être installé que dans un local ventilé en permanence, conformément à la réglementation en vigueur.

Il est conseillé de suivre ces instructions :

- ✓ Nettoyer l'intérieur du four avec un chiffon propre imbibé d'eau et de détergent (neutre, puis sécher soigneusement).
- ✓ Aménager l'intérieur du four en insérant les étagères et le plateau.
- ✓ Allumez le four à la température maximale afin d'éliminer toute trace éventuelle de graisse du brûleur du four. La même opération doit être effectuée pour le brûleur du gril.


**** NOTE ****

Cet appareil peut être utilisé avec du gaz propane liquide (GPL) et du gaz naturel. Il est expédié de l'usine réglé pour être utilisé avec du gaz naturel (NG). Des orifices de conversion sont fournis. Suivez les instructions fournies avec les orifices pour la conversion au gaz.

⚠ AVERTISSEMENT N'utilisez JAMAIS cet appareil comme chauffage d'appoint pour chauffer ou réchauffer la pièce. Cela pourrait entraîner une intoxication au monoxyde de carbone et une surchauffe du four.

⚠ AVERTISSEMENT Ne recouvrez JAMAIS les fentes, les trous ou les passages de la sole du four ou une grille entière avec des matériaux tels que du papier d'aluminium. Cela bloquerait la circulation de l'air dans le four et pourrait provoquer un empoisonnement au monoxyde de carbone. Les revêtements en papier d'aluminium peuvent également retenir la chaleur et présenter un risque d'incendie.

PRÉCAUTIONS ET RECOMMANDATIONS IMPORTANTES

- ✓ Après avoir déballé l'appareil, vérifiez qu'il n'est pas endommagé et que la porte du four se ferme correctement. En cas de doute, ne l'utilisez pas et consultez votre fournisseur ou un technicien professionnellement qualifié.
- ✓ Les éléments d'emballage (sacs en plastique, mousse de polystyrène, clous, sangles d'emballage, etc.) ne doivent pas être laissés à la portée des enfants, car ils peuvent causer de graves blessures.
- ✓ Le matériau d'emballage est recyclable et porte le symbole de recyclage .
- ✓ Ne pas tenter de modifier les caractéristiques techniques de l'appareil, car cela peut présenter un danger pour les utilisateurs.
- ✓ Ne pas effectuer d'opérations de nettoyage ou d'entretien sur l'appareil sans l'avoir préalablement débranché du réseau électrique.
- ✓ Si vous décidez de ne plus utiliser cet appareil (ou de lui substituer un modèle plus ancien), il est recommandé, avant de le mettre au rebut, de le rendre inopérant de manière appropriée, conformément aux réglementations en matière de santé et de protection de l'environnement, en veillant notamment à ce que toutes les parties potentiellement dangereuses soient rendues inoffensives, en particulier à l'égard des enfants qui pourraient jouer avec des appareils inutilisés.
- ✓ Retirer la porte avant la mise au rebut pour éviter tout risque de coincement.
- ✓ Après utilisation, assurez-vous que les boutons sont en position OFF.
- ✓ Ne laissez pas des enfants ou d'autres personnes non qualifiées utiliser l'appareil sans votre surveillance.
- ✓ Pendant et après l'utilisation de la cuisinière, certaines pièces deviennent très chaudes. Ne touchez pas les pièces chaudes.
- ✓ Tenir les enfants éloignés de la cuisinière lorsqu'elle est utilisée
- ✓ Risque d'incendie ! Ne rangez pas de matériaux inflammables dans le four ou dans le tiroir inférieur.
- ✓ Veillez à ce que les câbles électriques reliant d'autres appareils à proximité de la cuisinière n'entrent pas en contact avec la table de cuisson ou ne se coincent pas dans la porte du four.
- ✓ Ne pas recouvrir les parois du four, en haut et en bas, de papier d'aluminium. Ne placez pas d'étagères, de casseroles, de plaques de cuisson, de plaques à griller ou d'autres ustensiles de cuisine sur la base de l'enceinte du four.
- ✓ Le fabricant décline toute responsabilité en cas de dommages corporels ou matériels causés par une utilisation incorrecte ou inadéquate de l'appareil.
- ✓ Pour éviter tout risque, l'appareil ne doit être installé que par du personnel qualifié. Toute réparation effectuée par une personne non qualifiée peut entraîner un choc électrique ou un court-circuit. Afin d'éviter d'éventuelles blessures à votre corps ou à l'appareil, ne tentez pas de réparer vous-même l'appareil. Ces travaux doivent être effectués par un personnel qualifié.
- ✓ Risque de brûlures ! Le four et les accessoires de cuisson peuvent devenir très chauds pendant leur fonctionnement. Veillez à ce que les enfants soient tenus hors de portée et avertissez-les en conséquence. Pour éviter les brûlures, utilisez des vêtements de cuisine et des gants lorsque vous manipulez des pièces ou des ustensiles chauds.
- ✓ Éloignez-vous de la cuisinière lorsque vous ouvrez la porte du four. L'air chaud ou la vapeur qui s'échappe peut provoquer des brûlures aux mains, au visage et/ou aux yeux.
- ✓ Ne nettoyez jamais le four à l'aide d'un appareil de nettoyage à vapeur à haute pression, car cela pourrait provoquer un court-circuit.
- ✓ Cet appareil est destiné à un usage domestique. Ne l'utilisez jamais à d'autres fins !

PRÉCAUTIONS ET RECOMMANDATIONS IMPORTANTES POUR L'UTILISATION DES APPAREILS ÉLECTRIQUES

L'utilisation de tout appareil électrique implique la nécessité de suivre une série de règles fondamentales. En particulier :

- ✓ Ne touchez jamais l'appareil avec des mains ou des pieds mouillés ;
- ✓ Ne pas utiliser l'appareil pieds nus ;
- ✓ Ne laissez pas les enfants ou les personnes handicapées utiliser l'appareil sans votre surveillance.

Le fabricant ne peut être tenu responsable des dommages causés par une utilisation inappropriée, incorrecte ou déraisonnable de l'appareil.

INFORMATIONS GÉNÉRALES



AVERTISSEMENT !

1. Cet appareil ne doit pas être utilisé pour le chauffage d'une pièce. Ces informations sont basées sur des considérations de sécurité.
2. Toutes les ouvertures dans le mur derrière l'appareil et dans le sol sous l'appareil doivent être scellées.
3. Gardez la zone où se trouve l'appareil dégagée et exempte de matériaux combustibles, d'essence et d'autres vapeurs inflammables.
4. Ne pas obstruer le flux d'air de combustion et de ventilation.
5. Débranchez l'alimentation électrique de l'appareil avant toute intervention.
6. Lors de la dépose de l'appareil pour le nettoyage et/ou l'entretien ;
 - A. Couper le gaz au niveau de l'alimentation principale.
 - B. Débrancher l'alimentation en courant alternatif.
 - C. Débrancher la conduite de gaz du tuyau d'entrée.
 - D. Retirez délicatement la cuisinière en la tirant vers l'extérieur.

ATTENTION : La cuisinière est lourde, il faut la manipuler avec précaution.

7. Une mauvaise utilisation de la porte du four (par exemple, marcher, s'asseoir ou s'appuyer dessus) peut entraîner des risques potentiels et/ou des blessures.
8. Lors de l'installation ou de la désinstallation de la cuisinière, il convient d'utiliser un cric de levage à roulettes. Ne pas pousser contre l'un des bords de la cuisinière pour tenter de la faire entrer ou sortir de l'installation. Pousser ou tirer une cuisinière (au lieu d'utiliser un cric de levage) augmente également le risque de plier les broches des pieds ou les connecteurs d'accouplement internes.
9. L'appareil et son robinet d'arrêt individuel doivent être déconnectés du système de tuyauterie d'alimentation en gaz lors de tout essai de pression de ce système à des pressions d'essai supérieures à 1/2 psi (3,5 kPa).

INSTRUCTIONS POUR LA MISE A LA TERRE

POUR LA SÉCURITÉ DES PERSONNES, CET APPAREIL DOIT ÊTRE CORRECTEMENT MIS À LA TERRE.

Cet appareil est équipé d'une fiche de mise à la terre à trois broches pour vous protéger contre les risques d'électrocution et doit être branché directement dans une prise de courant correctement mise à la terre. Ne coupez pas et ne retirez pas la broche de mise à la terre de la fiche.

- **La cuisinière à gaz doit être installée avec toutes les connexions électriques conformément aux codes nationaux et locaux. Une alimentation électrique standard (120 V CA seulement, 60 Hz), correctement mise à la terre conformément au Code national de l'électricité et aux codes et ordonnances locaux, est nécessaire.**

Ne coupez ou ne retirez en aucun cas la troisième broche (terre) de la fiche d'alimentation. L'installation électrique doit être conforme aux codes nationaux et locaux.

PIÈCES DE RECHANGE

Seules des pièces de rechange autorisées peuvent être utilisées pour l'entretien de la cuisinière. Les pièces de rechange sont disponibles auprès du fabricant. Contactez le service à la clientèle si vous avez besoin de pièces de rechange.



AVERTISSEMENT CONCERNANT LE MONOXYDE DE CARBONE :

Le monoxyde de carbone est un danger potentiel lors de l'utilisation de tout appareil fonctionnant au gaz.

Tous les appareils à gaz DOIVENT être installés par un professionnel agréé qui connaît les niveaux de monoxyde de carbone propres à chaque appareil.

L'American Gas Association publie les émissions de CO des appareils et équipements de chauffage par le biais de la norme CSA/ANSI Z21.1.

L'EPA indique qu'un niveau maximum de CO (monoxyde de carbone) de 9 PPM sur une période de 24 heures est la norme de niveau ambiant intérieur résidentiel.

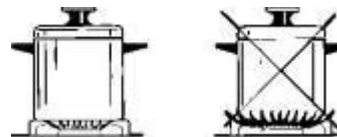
(Une maison correctement ventilée aura un niveau normal de CO inférieur à 5 PPM).

LES APPAREILS DE CUISSON AU GAZ NON VENTILÉS :

Dans une application résidentielle, ils sont normalement utilisés pendant une courte période. Le CO généré pendant l'opération se disperse dans l'air de la maison et est purgé vers l'extérieur par le renouvellement normal de l'air.

CHOIX DU BRÛLEUR

DIAMÈTRES DES CASSEROLES POUVANT ÊTRE UTILISÉES SUR LES BRÛLEURS SUPÉRIEURS		
BRÛLEUR	MINIMUM	MAXIMUM
Auxiliaire	4" 23/32 (12 cm)	5" 1/2 (14 cm)
Semirapide	6" 19/64 (16 cm)	9" 7/16 (24 cm)
Rapide	9" 7/16 (24 cm)	10" 15/64 (26 cm)
Ne pas utiliser de casseroles à fond concave ou convexe.		

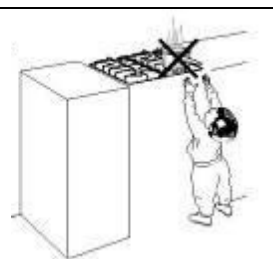


Les symboles imprimés sur le panneau au-dessus des boutons de gaz indiquent la correspondance entre le bouton et le brûleur.

Le brûleur le plus approprié doit être choisi en fonction du diamètre et du volume du récipient à chauffer.


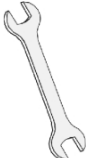








Il est important que le diamètre des casseroles corresponde au potentiel de chauffage des brûleurs afin de ne pas compromettre l'efficacité des brûleurs et de ne pas gaspiller de gaz combustible. Une casserole de petit diamètre placée sur un grand brûleur ne signifie pas nécessairement que les conditions d'ébullition sont atteintes plus rapidement.

Veillez à ce que les poignées des ustensiles de cuisine ne dépassent pas du bord de la cuisinière de la cuisinière, afin d'éviter qu'ils ne soient renversés par accident. Cela rend également plus difficile pour les enfants d'atteindre les récipients de cuisson.

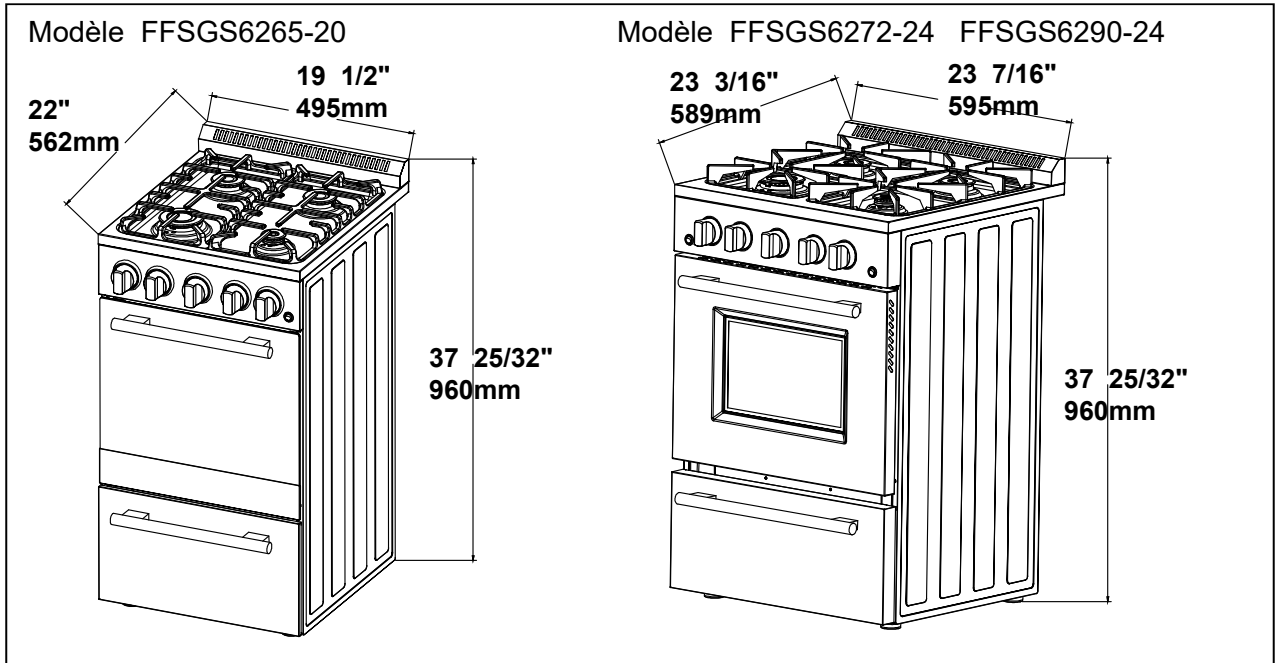


INSTRUCTIONS D'INSTALLATION

VOUS AVEZ BESOIN D'OUTILS POUR L'INSTALLATION. (non fournis avec la cuisinière)

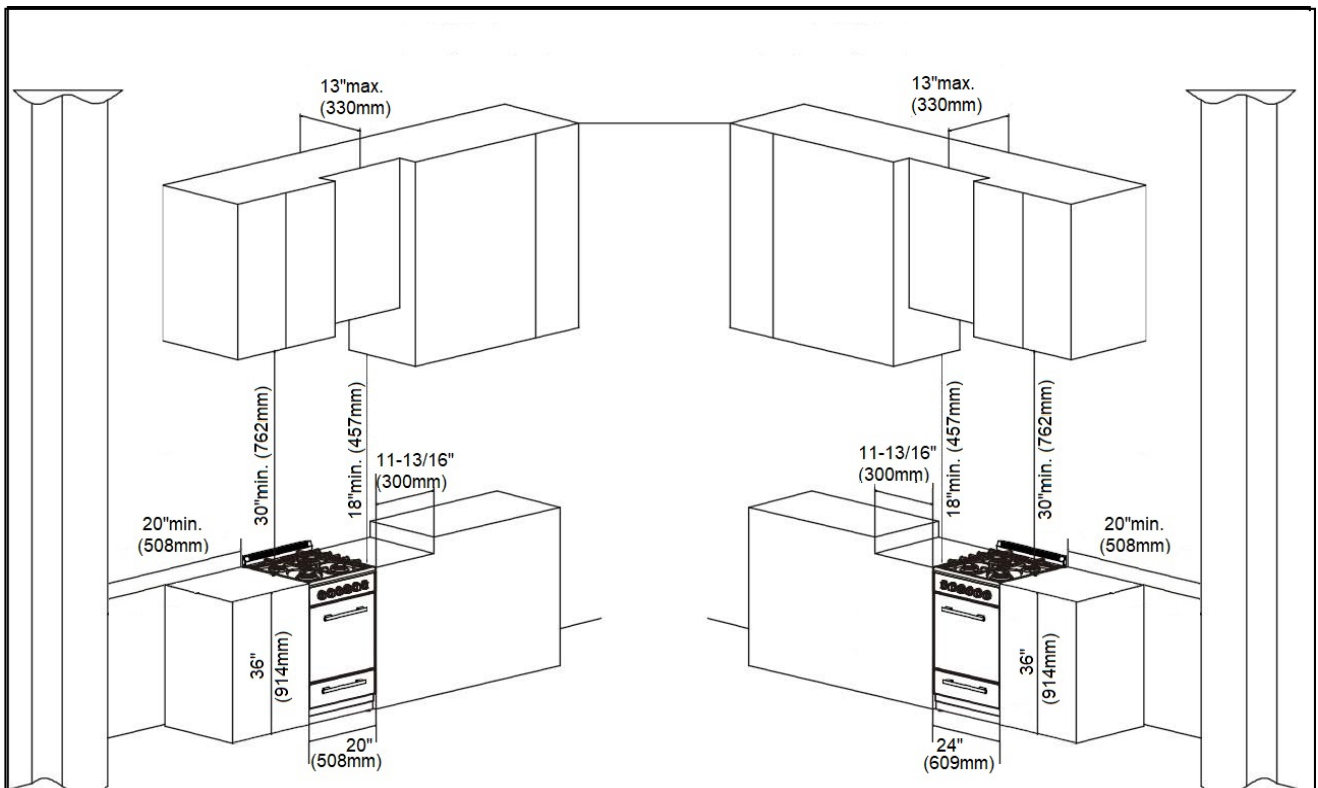
 Tournevis	 Clé à molette	 Clé à douille	 Clé Allen	 Ruban à mesurer et crayon
 Gants de protection	 Marteau	 Clé réglable	 Pince réglable	 Perceuse

DIMENSIONS DES PRODUITS ET ARMOIRES

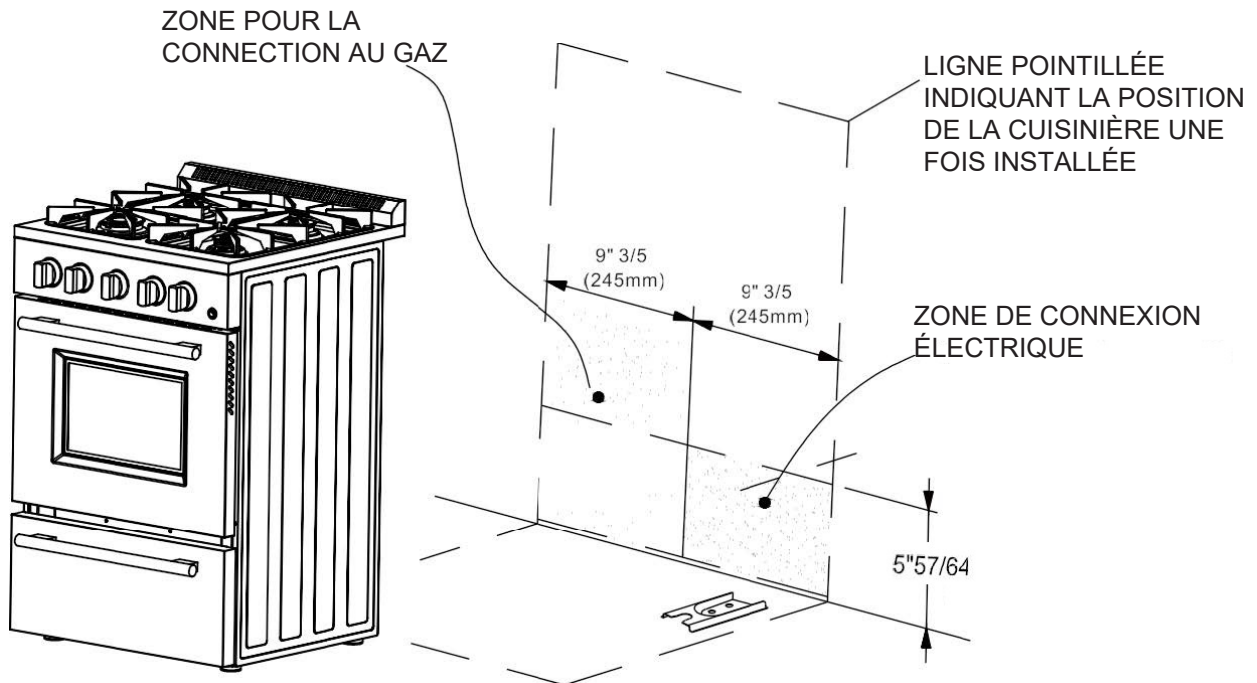


INSTALLATION DE L'ARMOIRE

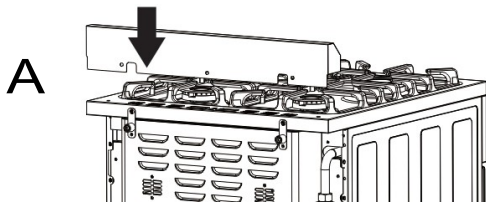
PROXIMITÉ DE L'ARMOIRE LATÉRALE



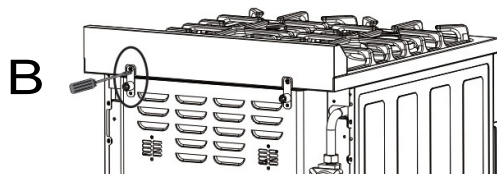
RACCORDEMENT AU GAZ ET À L'ÉLECTRICITÉ



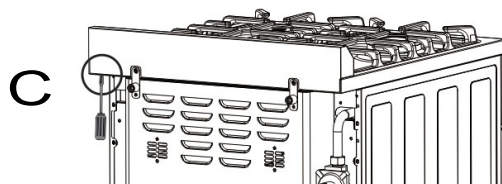
COMMENT INSTALLER LE DOSSERET



Aligner le dossier sur la partie
arrière de la table de cuisson.
Comme indiqué dans le diagramme



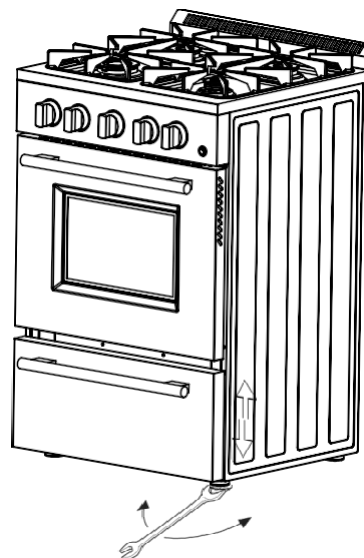
Fixer le dossier à la table de cuisson
par l'arrière à l'aide des vis à tête
Philips fournies. Comme le montre
le schéma



Fixez le dossier par le bas à l'aide des
vis à tête Philips fournies. Comme
indiqué dans le diagramme

COMMENT NIVELER LA CUISINIÈRE

La cuisinière est équipée de 4 pieds de mise à niveau et peut être mise à niveau en vissant ou dévissant les pieds à l'aide d'une clé à fourche.



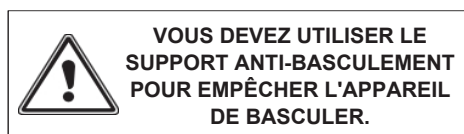
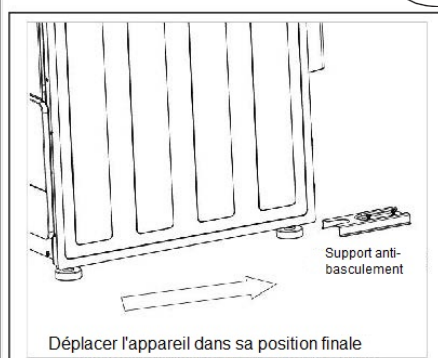
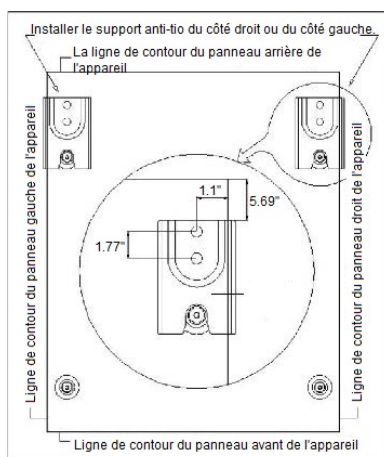
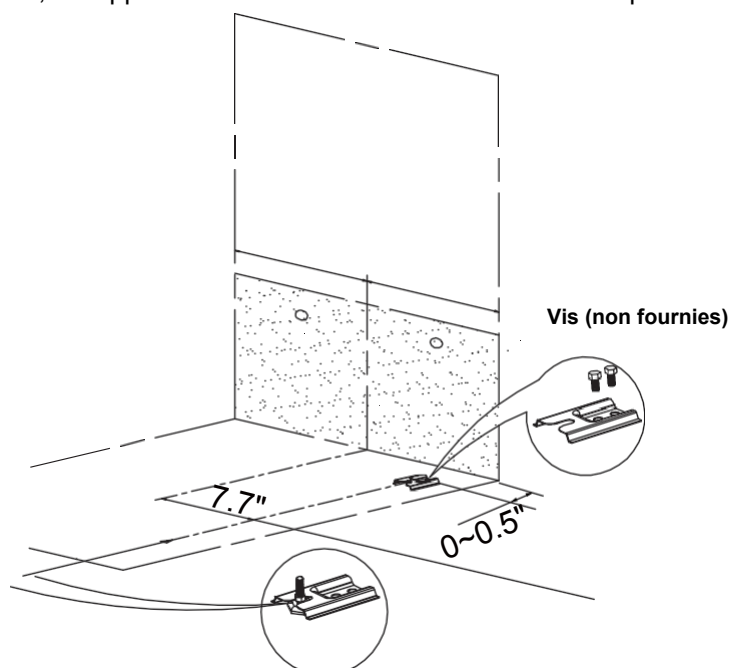
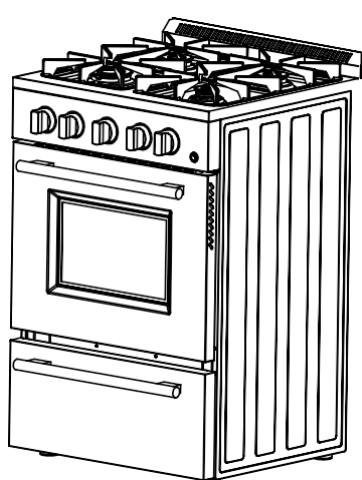
INSTRUCTIONS D'INSTALLATION DU DISPOSITIF DE STABILITÉ ANTI-BASCULEMENT

INSTALLATION DU SUPPORT ANTI-BASCULEMENT

Pour réduire le risque de renversement de la cuisinière en cas d'utilisation anormale ou de chargement incorrect de la porte, la cuisinière doit être sécurisée en installant correctement le dispositif anti-basculement fourni avec l'appareil.

- Placez le support anti-basculement sur le sol comme indiqué sur la figure. Le support anti-basculement peut être installé à droite ou à gauche.
- Repérez les emplacements des deux trous du support de la pointe antagoniste sur le sol.
- Utilisez un foret de maçonnerie de 5/16" et insérez la cheville en plastique.
- Fixer le support au sol à l'aide des vis fournies.
- Glisser l'appareil en position.

REMARQUE : Si la cuisinière est déplacée, le support doit être retiré et installé au nouvel emplacement.



CONNEXION AU GAZ

ATTENTION :

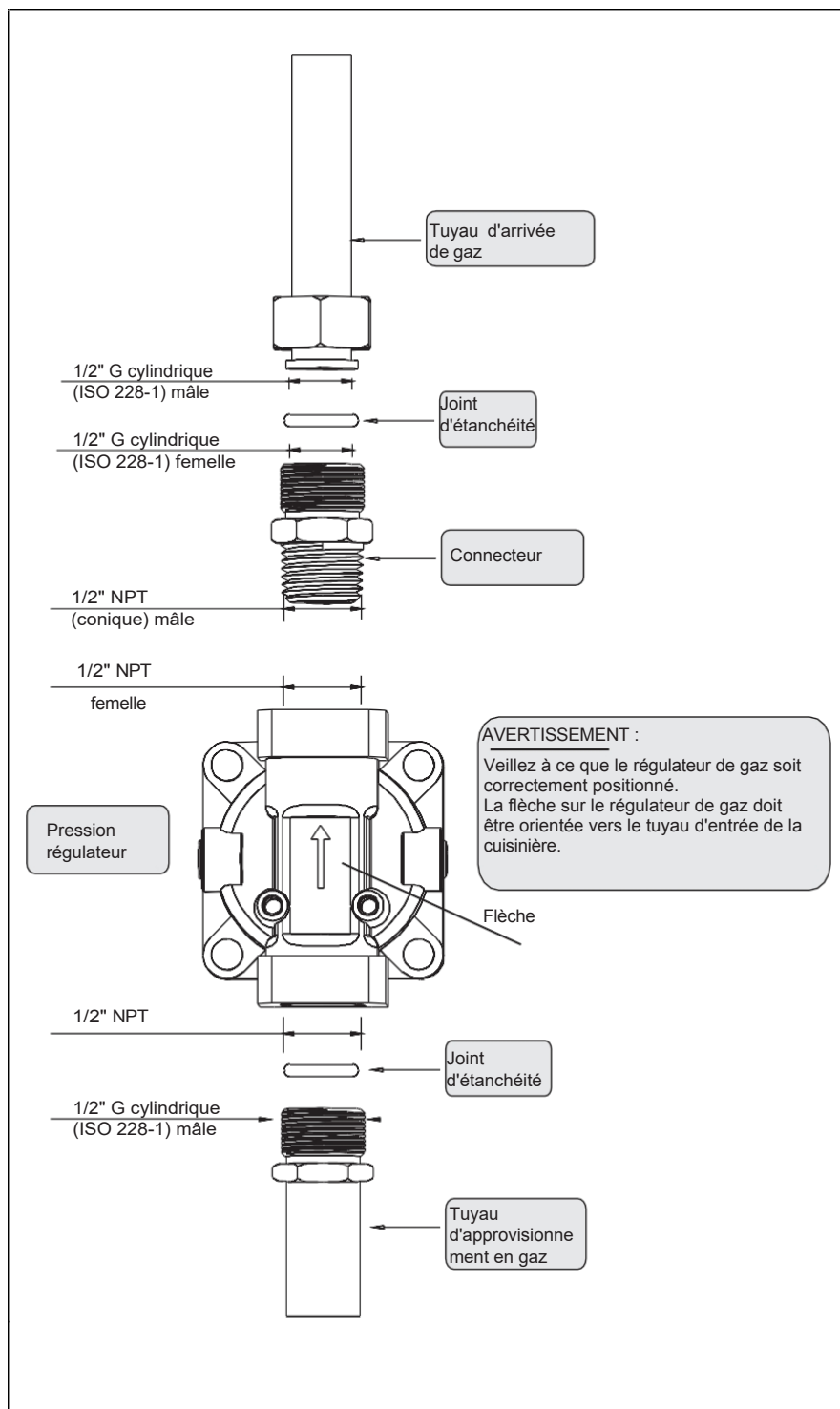
Le régulateur est préinstallé par l'usine pour votre commodité.

Les instructions suivantes sont données à titre d'information uniquement ou dans le cas où une pièce doit être remplacée.

TOUTES LES RÉPARATIONS, REMPLACEMENTS DE PIÈCES ET RACCORDEMENTS DOIVENT ÊTRE EFFECTUÉS PAR UN PROFESSIONNEL EXPÉRIMENTÉ ET AGRÉÉ.

AVERTISSEMENT

Vérifiez le bon positionnement du régulateur de gaz. La flèche au dos du régulateur de gaz doit être orientée vers le connecteur.



CONVERSION DU GAZ NATUREL (NG) AU PROPANE (LPG)

Chaque gamme est équipée d'un jeu d'injecteurs pour les différents types de gaz. Sélectionnez les injecteurs à remplacer conformément au "TABLEAU DES INJECTEURS".

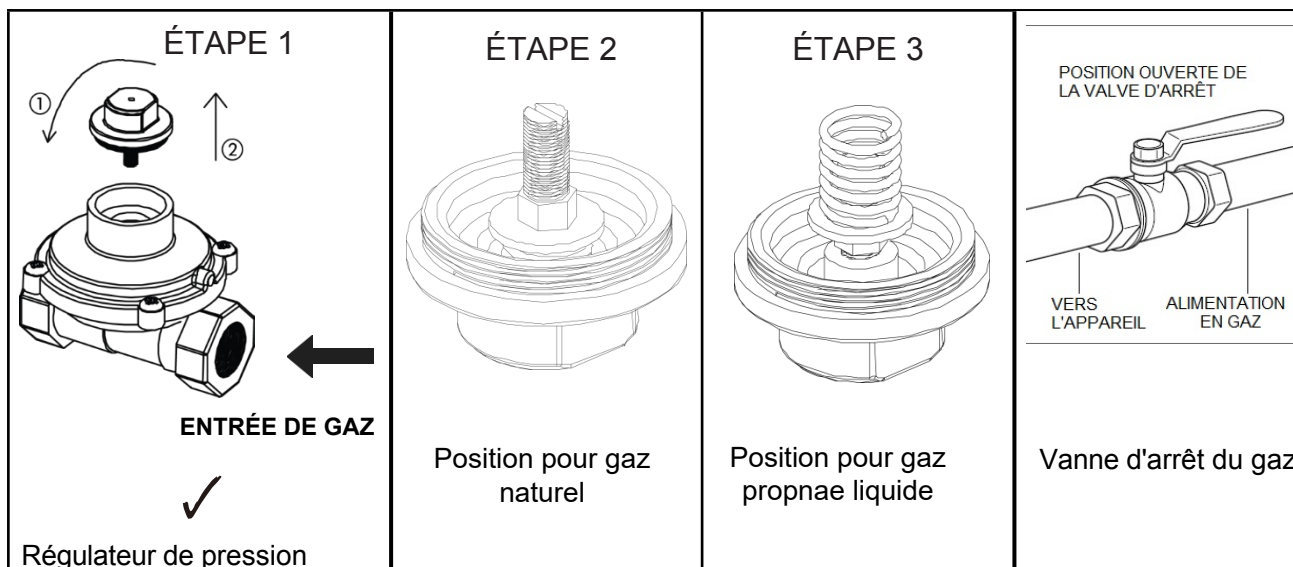
Les diamètres des buses, exprimés en centièmes de millimètre, sont indiqués sur le corps de chaque injecteur.

Toute conversion nécessaire doit être effectuée par votre revendeur ou par un plombier agréé qualifié ou une entreprise de service de gaz.

Veuillez remettre ce manuel à l'agent d'entretien avant de commencer à travailler sur la cuisinière.

(Les conversions au gaz relèvent de la responsabilité du revendeur ou de l'utilisateur final).

RÉGLAGE DU RÉGULATEUR DE PRESSION



Le régulateur de pression peut supporter une pression d'entrée maximale de 0,5 psi (3,5 kPa) et est réglé à une pression de sortie de 5" WC lorsqu'il est utilisé avec du GAZ NATUREL et à une pression de sortie de 10" WC lorsqu'il est utilisé avec du PROPANE LIQUIDE.

Conservez les orifices retirés de l'appareil pour une utilisation ultérieure.

Étape 1 : Ouvrez le couvercle du régulateur en le tournant dans le sens inverse des aiguilles d'une montre.

Étape 2 : Voir la vis de pression installée dans le couvercle. Il s'agit de la position Gaz naturel.

Étape 3 : Dévissez délicatement la vis de pression et retirez-la avec le ressort qui se trouve en dessous.

Inversez la position de la vis de pression et du ressort. comme indiqué sur l'image ci-dessus.

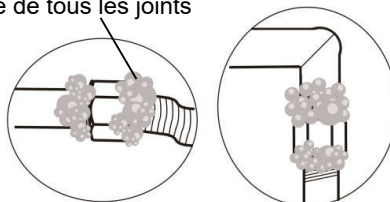
Étape 4 : Réinstallez le couvercle du régulateur en le vissant dans le sens des aiguilles d'une montre. Assurez-vous que le couvercle est bien fermé avant d'installer le régulateur et de le raccorder à l'alimentation en gaz. **NE PAS TROP SERRER**

Étape 5 : Avant d'utiliser la cuisinière après la conversion au gaz, vérifiez toujours l'absence de fuites à l'aide d'une solution d'eau savonneuse ou d'une autre méthode acceptable au niveau des raccords de gaz installés entre le tuyau d'arrivée de gaz de la cuisinière, le régulateur de gaz et le robinet d'arrêt manuel.

Utiliser des solutions savonneuses pour vérifier l'étanchéité de tous les joints

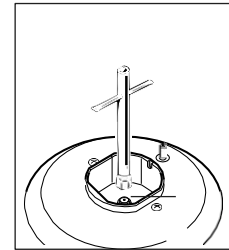
⚠ AVERTISSEMENT

N'UTILISEZ PAS de flamme pour vérifier la présence d'une fuite de gaz !



BRÛLEURS DE TABLE DE CUISSON

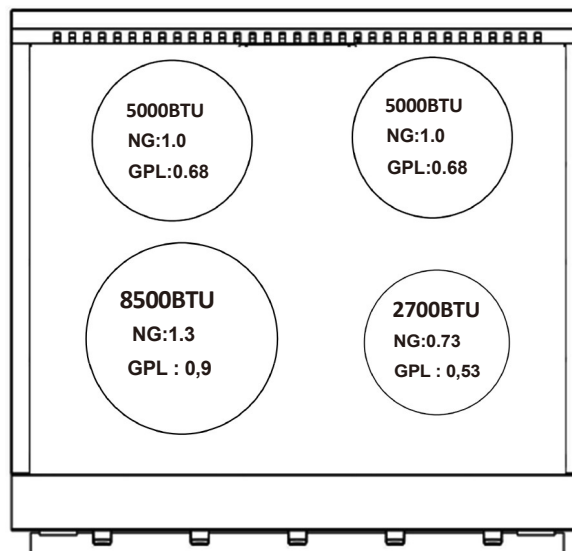
- Retirer les grilles de cuisson, les capuchons des brûleurs des brûleurs.
- Soulever les têtes de brûleur extérieures et les bases de brûleur.
- Retirez les orifices de gaz naturel installées en usine au centre des supports de ces orifices à l'aide d'une clé à douille de 7 mm. Remplacez l'orifice pour GPL (gaz propane liquide) dans chaque brûleur. Serrez chaque orifice jusqu'à ce qu'il soit bien ajusté. Veillez à ne pas trop serrer. Attention à ne pas trop serrer.



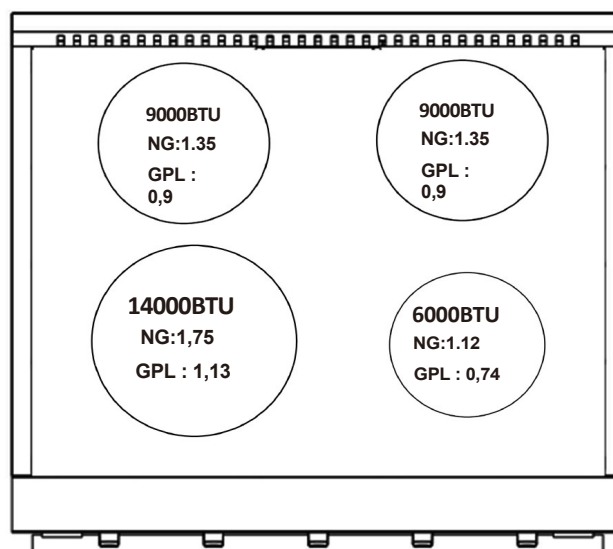
Clé à douille

⚠ MISE EN GARDE Des précautions doivent être prises lors de la dépose et du remplacement des composants du gaz. Utilisez un support approprié pour éviter d'endommager les composants.

IMPORTANT: Chaque orifice porte un numéro indiquant son diamètre d'écoulement, imprimé sur le corps. Consultez le tableau ci-dessous pour connaître la correspondance entre les orifices et les brûleurs.



Modèle:FFSGS6265-20



Modèle:FFSGS6272-24 FFSGS6290-24

REPLACEMENT DES INJECTEURS DES BRÛLEURS DU FOUR / GRIL

Pour remplacer l'orifice du brûleur du FOUR :

- Soulevez et retirez le panneau inférieur à l'intérieur du four.
- Retirer les vis de fixation du brûleur (4 au total) (fig. 22).
- Retirer le brûleur et le placer à l'intérieur du four. Veillez à ne pas endommager le fil de l'électrode d'allumage ainsi que le thermocouple.
- À l'aide d'une clé à fourche de 7 mm, dévissez l'injecteur et remplacez-le par le nouvel orifice GPL.
- Remplacer le brûleur en répétant les étapes ci-dessus dans l'ordre inverse.

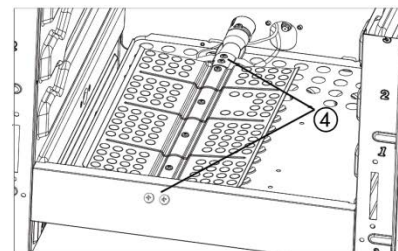


fig. 22

Pour remplacer l'orifice du brûleur GRIL :

- Retirer le brûleur en dévissant la vis frontale (fig. 23).
- Suspendre doucement le brûleur comme indiqué dans la figure 24. Veillez à ne pas endommager le fil de l'électrode d'allumage ainsi que le thermocouple.
- À l'aide d'une clé à fourche de 7 mm, dévissez l'orifice (indiqué dans la figure 24) et remplacez-le par le nouvel orifice de GPL.
- Remplacer le brûleur en répétant les étapes ci-dessus dans l'ordre inverse.

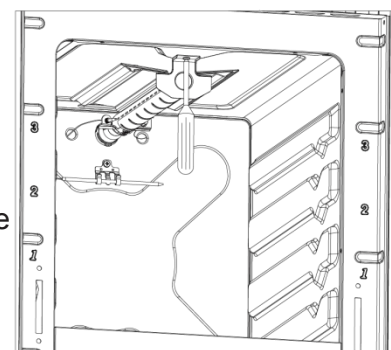


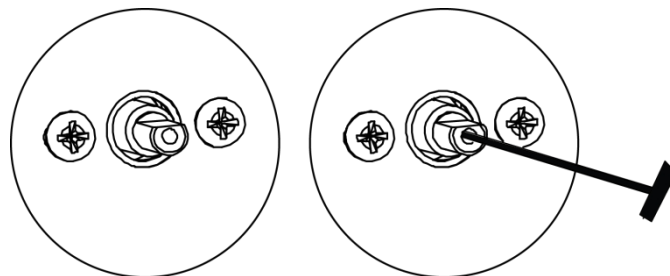
fig. 23

		Modèle:FFSGS6265-20	Model:FFSGS6272-24	FFSGS6290-24
GRIL	NG	1.24	1.24	1.24
	GPL	0.8	0.8	0.8
FOUR	NG	1.3	1.3	1.3
	GPL	0.84	0.84	0.84

RÉGLAGE DU BRÛLEUR RÉGLAGE MINIMUM

Lors du passage d'un type de gaz à un autre, le débit minimal doit également être correct : la flamme ne doit pas s'éteindre, même en passant brusquement de la flamme maximale à la flamme minimale.

- Allumer le brûleur.
- Régler la vanne du brûleur supérieur en position minimale.
- Retirer le bouton en le tirant tout droit.
- Localisez la vis de dérivation (voir illustration).
Les tiges de vannes simples sont creuses, les vis de dérivation sont situées à l'intérieur de la tige.
Insérez le tournevis à tête plate (2,5 mm x 75 mm) au centre de la tige et tournez la vis de dérivation dans le sens des aiguilles d'une montre pour régler la flamme. **NE PAS TROP SERRER.**
- Remplacer le bouton.
- Répéter l'opération pour chacun des autres brûleurs.



COMMENT UTILISER LE FOUR À GAZ

CARACTÉRISTIQUES GÉNÉRALES

Le four à gaz est équipé de deux brûleurs :

Brûleur de four, monté sur la partie inférieure du four :

Brûleur de gril, monté sur la partie supérieure du four :

UTILISATION DU FOUR POUR LA PREMIÈRE FOIS

Il est conseillé de suivre les instructions suivantes

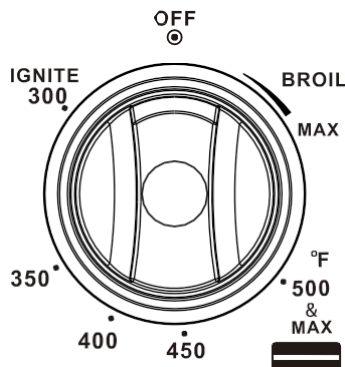
1. Insérer les étagères, la grille du gril et le plateau.
2. Allumez le four sur la position de température maximale (500F) afin d'éliminer les éventuelles traces de graisse du brûleur du four. La même opération doit être effectuée pour le brûleur du gril (bouton sur la position BROIL).
3. Débranchez le cordon d'alimentation, laissez le four refroidir, puis nettoyez l'intérieur du four avec un chiffon imbibé d'eau et de détergent (neutre) et séchez soigneusement.

BRÛLEUR DE FOUR

Effectue une "cuisson au four" normale.

Le flux de gaz vers le brûleur est réglé par un thermostat qui permet de maintenir la température souhaitée du four.

Le contrôle de la température est assuré par une sonde thermostatique placée à l'intérieur du four. La sonde doit toujours être maintenue dans son logement, en bon état de propreté, car une position incorrecte ou une sonde sale peut entraîner une altération du contrôle de la température.



RÉGLAGE DU FOUR À GAZ	
Numéro imprimé sur le bouton Température en °F	Température correspondante en °C
300	149
350	177
400	204
450	232
500	260

THERMOSTAT DU FOUR

Les chiffres imprimés sur le panneau de commande indiquent la valeur croissante de la température du four (°F). Pour régler la température, placez le chiffre choisi sur l'indicateur du bouton de commande.

La position gril (*BROIL*) sert uniquement à allumer le brûleur du gril.

REMARQUE : Lorsque la cuisinière n'est pas utilisée pendant de longues périodes, placez les boutons de gaz sur leur position «**OFF**» et fermez également le robinet d'arrêt du gaz situé sur la ligne principale d'alimentation en gaz.

TRES IMPORTANT : Le four/gril doit toujours être utilisé avec la porte fermée.

ALLUMAGE DU BRÛLEUR DU FOUR

Le thermostat permet le contrôle automatique de la température.

L'alimentation en gaz du brûleur du four est contrôlée par une valve thermostatique à deux voies (brûleurs du four et du gril) avec un dispositif d'arrêt de flamme.

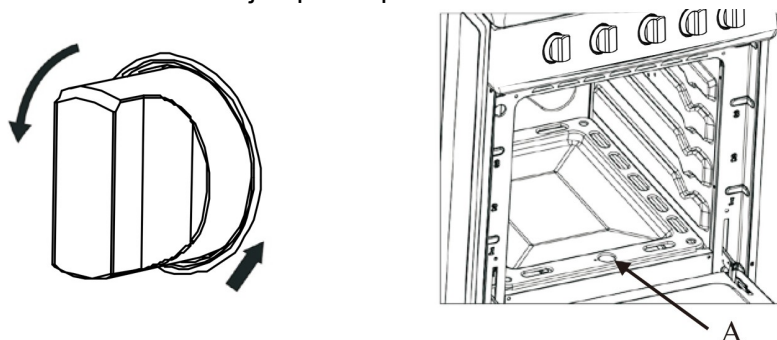
Pour allumer le brûleur du four, procédez comme suit :

1) Ouvrez complètement la porte du four.

AVERTISSEMENT : Lorsque la température du four atteint la température de réglage, la flamme à l'intérieur du four est faible. Si vous fermez la porte alors que la flamme est minimale, la flamme s'éteindra accidentellement. Avant de fermer la porte, assurez-vous que la petite flamme s'agrandisse sinon elle risque de s'éteindre (pas plus de 60s).

Risque d'explosion ! La porte du four doit être ouverte pendant cette opération.

2) Appuyez légèrement sur le bouton du thermostat et tournez-le dans le sens inverse des aiguilles d'une montre jusqu'à la position maximale ou 500°F.



3) Appuyez sur le bouton vers l'intérieur et maintenez-le enfoncé pour activer l'allumage électronique. Vous entendrez un "clic". Maintenez le bouton enfoncé jusqu'à ce que le brûleur du four s'allume. Gardez le bouton enfoncé pour un minimum de 15 secondes avant de relâchez le bouton.

En cas de panne de courant, vous pouvez allumer manuellement le brûleur en appuyant sur le bouton vers l'intérieur et en approchant immédiatement une allumette allumée de l'ouverture "A" (voir le schéma ci-dessus).

Ne jamais poursuivre cette opération pendant plus de 15 secondes. Si le brûleur ne s'est toujours pas allumé, attendez environ 1 minute avant de répéter l'allumage.

4) Lorsque vous utilisez la cuisinière pour la première fois ou après une longue période d'inutilisation, continuez à appuyer sur le bouton vers l'intérieur pendant environ 10 à 15 secondes après l'allumage du brûleur pour vous assurer que le robinet de gaz a été correctement amorcé.

5) Fermez lentement la porte du four et réglez le brûleur en fonction de la température souhaitée. Si la flamme s'éteint pour une raison quelconque, la soupape de sécurité coupe automatiquement l'alimentation en gaz du brûleur.

Pour rallumer le brûleur, tournez d'abord le bouton de commande du four sur la position «OFF», attendez au moins 1 minute, puis répétez la procédure d'allumage.

⚠ AVERTISSEMENT La porte du four devient très chaude pendant le fonctionnement. Tenir les enfants à l'écart.

CUISSON AU FOUR

Avant d'introduire les aliments, préchauffez le four à la température souhaitée.

Pour un préchauffage correct, il est conseillé de retirer le plateau du four et de l'introduire avec les aliments lorsque le four a atteint la température souhaitée.

Vérifiez le temps de cuisson et éteignez le four 5 minutes avant l'heure théorique pour récupérer la chaleur emmagasinée.

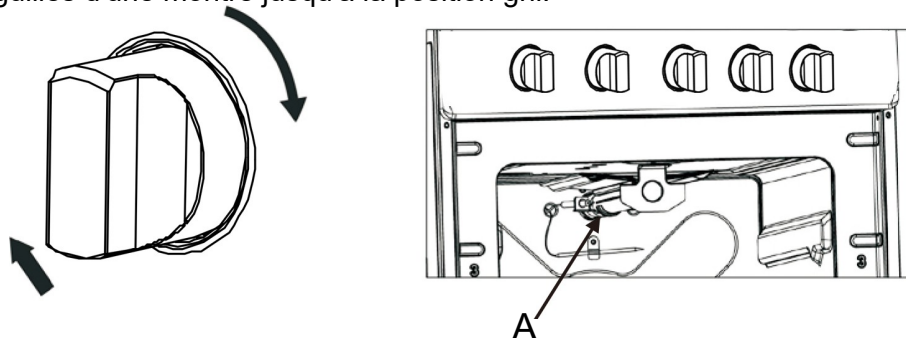
ALLUMAGE DU BRÛLEUR DU GRIL

Le brûleur du gril génère les rayons infrarouges nécessaires à la cuisson au gril. Pour allumer le brûleur du gril, procédez comme suit : Pour allumer le brûleur du four, procédez comme suit :

1) Ouvrez complètement la porte du four.

AVERTISSEMENT : Risque d'explosion ! La porte du four doit être ouverte pendant cette opération.

2) Appuyez légèrement sur le bouton du thermostat et tournez-le dans le sens des aiguilles d'une montre jusqu'à la position gril.



3) Appuyez sur le bouton vers l'intérieur et maintenez-le enfoncé pour activer l'allumage électronique. Vous entendrez un "clic". Gardez le bouton enfoncé pour un minimum de 15 secondes avant de relâcher le bouton.

En cas de panne de courant, vous pouvez allumer manuellement le brûleur en appuyant sur le bouton vers l'intérieur et en approchant immédiatement une allumette allumée de la zone "A" (voir le schéma ci-dessus).

Ne jamais poursuivre cette opération pendant plus de 15 secondes. Si le brûleur ne s'est toujours pas allumé, attendez environ 1 minute avant de répéter l'allumage.

4) Lorsque vous utilisez la cuisinière pour la première fois ou après une longue période d'inutilisation, continuez à appuyer sur le bouton vers l'intérieur pendant environ 10 à 15 secondes après l'allumage du brûleur pour vous assurer que le robinet de gaz a été correctement amorcé.

5) Fermez lentement la porte du four. Si la flamme s'éteint pour une raison quelconque, la soupape de sécurité coupe automatiquement l'alimentation en gaz du brûleur.

Pour rallumer le brûleur, tournez d'abord le bouton de commande du four sur la position «OFF», attendez au moins 1 minute, puis répétez la procédure d'allumage.

Ne jamais cuire au gril avec la porte du four fermée. Attention : la porte du four devient très chaude pendant le fonctionnement. Tenir les enfants à l'écart.

VOYANT DU FOUR

L'éclairage du four est commandé par un interrupteur situé sur le panneau de commande.

La lumière peut être utilisée pendant la cuisson ou le nettoyage du four.

⚠ AVERTISSEMENT Vérifiez que le courant est coupé avant de remplacer l'ampoule. Laissez le four refroidir complètement, puis dévissez le couvercle de l'éclairage et retirez l'ampoule en la dévissant de la douille. Remplacez-la par une ampoule halogène de 40 watts.

CUISSON PAR CONVECTION

La chaleur est transférée des brûleurs de cuisson situés au fond de la cavité du four à la cavité elle-même. Le ventilateur de convection situé à l'arrière du four la fait ensuite circuler. Ce processus de convection permet une distribution plus uniforme de la chaleur dans toute la cavité du four. L'utilisation de plusieurs grilles est possible pour la cuisson de grandes quantités. La cuisson par convection est plus rapide, peut être réalisée à des températures plus basses et permet d'obtenir des températures plus homogènes que la cuisson normale.

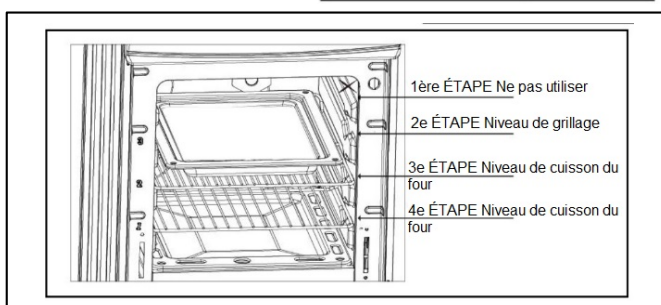
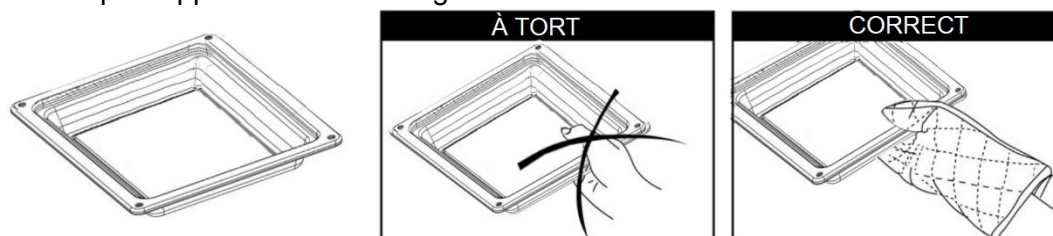
GRILLAGE

Très important : le brûleur du grill doit toujours être utilisé avec la porte du four fermée.
Positionner la grille du four au deuxième niveau en partant du haut.

Allumez le brûleur du grill, comme expliqué dans les paragraphes précédents, et laissez-le préchauffer pendant environ 5 minutes avec la porte fermée.

Placez les aliments à cuire au-dessus de la plaque à griller.

-Introduisez la lèchefrite dans le four. La lèchefrite doit être placée au-dessus de l'étagère et centrée par rapport au brûleur du grill.



AVERTISSEMENT !

AVERTISSEMENT - AVIS TRÈS IMPORTANT

Ne jamais obstruer les fentes d'aération du four sur le dossierer.

- Ne pas faire griller sans utiliser la lèchefrite.
- Important : utilisez toujours des gants de protection appropriés lorsque vous insérez ou retirez du four la lèchefrite, les étagères, les casseroles ou d'autres ustensiles de cuisine.
- Attention : la cuisinière devient très chaude pendant le fonctionnement
- Attention : la porte du four devient très chaude pendant le fonctionnement.
- Tenir les enfants à l'écart
- Avertissement : La porte est chaude, assurez-vous d'utiliser la poignée.

L'appareil doit être isolé de la tuyauterie d'alimentation en gaz en fermant son robinet d'arrêt manuel individuel pendant tout essai de pression de la tuyauterie d'alimentation en gaz à des pressions d'essai égales ou inférieures à 1/2 psi (3,5 kPa).

FRITEUSE À AIR (* uniquement pour FFSGS6272-24/FFSGS6290-24)

Pour obtenir des aliments parfaitement croustillants et dorés, suivez les étapes suivantes :

Étape 1 : Placez la grille du four dans la position la plus basse pour y placer le plat de cuisson.

Étape 2 : Placez la plaque de cuisson sur la grille inférieure.

Étape 3 : Placez vos aliments dans le panier à friture et étalez-les uniformément en une seule couche.

Étape 4 : Insérez la grille de friture dans la position centrale de la tablette du four, puis fermez la porte.

Étape 5 : Allumez le ventilateur de convection et réglez la température du four entre 325°F et 350°F, et surveillez attentivement la cuisson des aliments.

Conseils :

1. La cuisson à la friteuse nécessite peu ou pas d'huile.
2. Les aliments riches en matières grasses tels que les ailes de poulet avec la peau, le bacon ou les saucisses peuvent provoquer de la fumée lors de l'utilisation de la friteuse à l'air. Veuillez ajouter du papier parchemin ou du papier d'aluminium à la plaque de cuisson pour faciliter le nettoyage.
3. Assurez-vous que le plateau de cuisson se trouve juste en dessous du panier de la friteuse à air et qu'il sert de bac d'égouttage.
4. Vérifiez souvent vos aliments, car la cuisson à la friteuse nécessite moins de temps que la cuisson normale.
5. Ouvrez une porte ou une fenêtre pour assurer une bonne ventilation de la zone de cuisson.

NETTOYAGE À LA VAPEUR : (* uniquement pour FFSGS6272-24/FFSGS6290-24)

Étape 1 : Mettez 1 tasse (240mL) d'eau distillée ou filtrée dans le plat de cuisson.

Étape 2 : Faites chauffer le four à 450°F pendant 20 à 30 minutes.

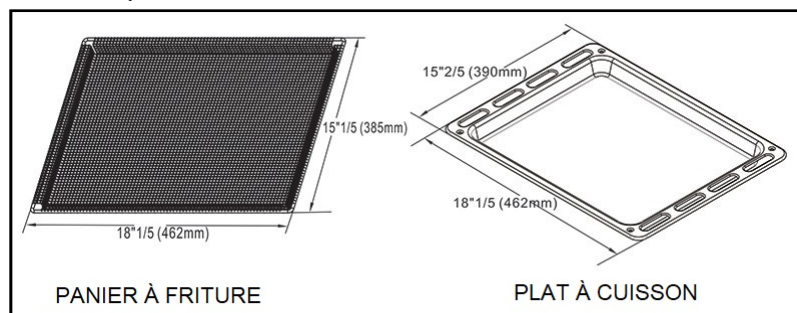
Étape 3 : Une fois le nettoyage à la vapeur terminé, éteignez votre four.

Étape 4 : Lorsqu'il est refroidi, essuyez la graisse et les débris de votre four à l'aide d'un chiffon ou d'une éponge humide.

Veillez à n'enlever que les débris et la graisse qui se détachent facilement. Le processus de nettoyage à la vapeur décollera les saletés les plus tenaces et les plus incrustées.

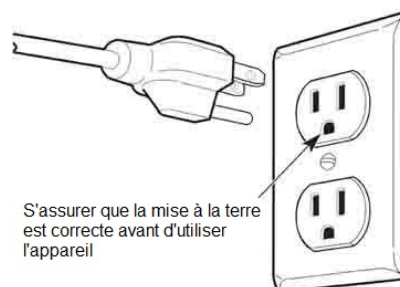
Conseils :

- 1) L'utilisation d'eau distillée ou filtrée au lieu de l'eau du robinet permet d'éviter les taches d'eau et les dépôts minéraux dans le four.
- 2) Attendez que votre four soit complètement refroidi avant de commencer à le nettoyer.
- 3) Veillez à nettoyer également les grilles qui se trouvent dans le four.
4. ne laissez pas l'eau résiduelle dans le four pendant un certain temps.
5. cette étape peut s'avérer assez salissante, alors n'oubliez pas de mettre de vieux vêtements et de garder une poubelle à proximité.



ENTRETIEN ET MAINTENANCE

RECOMMANDATION GÉNÉRALE



Important : avant toute opération de nettoyage et d'entretien, débranchez l'appareil de l'alimentation électrique.

Il est conseillé de nettoyer l'appareil lorsqu'il est froid et surtout pour nettoyer les parties émaillées.

Évitez de laisser des substances alcalines ou acides (jus de citron, vinaigre, etc.) sur les surfaces.

Évitez d'utiliser des produits de nettoyage à base de chlore ou d'acide.

Le four doit toujours être nettoyé après chaque utilisation, en utilisant des produits appropriés et en gardant à l'esprit que son fonctionnement pendant 30 minutes à la température la plus élevée élimine la plupart des salissures en les réduisant en cendres.

PIÈCES ÉMAILLÉES

Toutes les parties émaillées doivent être nettoyées avec une éponge et de l'eau savonneuse uniquement ou d'autres produits non abrasifs.

Sécher de préférence avec une peau de chamois.

Si des substances acides telles que le jus de citron, la confiture de tomates, le vinaigre, etc. sont laissées sur l'émail pendant une longue période, elles le mordent et le rendent opaque.

ÉLÉMENTS EN ACIER INOXYDABLE

Les pièces en acier inoxydable doivent être rincées à l'eau et séchées à l'aide d'un chiffon doux et propre ou d'une peau de chamois.

Pour les salissures difficiles, utilisez un produit non abrasif spécifique disponible dans le commerce ou un peu de vinaigre chaud.

Remarque : une utilisation régulière peut entraîner une décoloration autour des brûleurs, en raison de la température élevée de la flamme.

INTÉRIEUR DU FOUR

Elle doit être nettoyée régulièrement. Lorsque le four est chaud, essuyez les parois intérieures avec un chiffon imbibé d'eau savonneuse très chaude ou d'un autre produit approprié.

VANNES À GAZ

En cas d'anomalie de fonctionnement des vannes de gaz, fermez l'alimentation principale en gaz et appelez le service d'entretien.

AVERTISSEMENT TRÈS IMPORTANT

Avant toute opération d'entretien, débranchez l'appareil du réseau électrique.

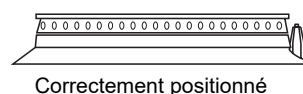
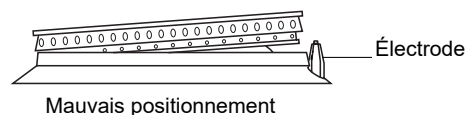
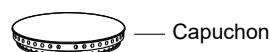
Ne pas utiliser de nettoyeurs à jet de vapeur car l'humidité pourrait s'infiltrer dans l'appareil et le rendre dangereux.

BRÛLEURS ET GRILLES

- ✓ Ces pièces peuvent être retirées et nettoyées avec des produits appropriés.
- ✓ Après le nettoyage, les brûleurs et leurs distributeurs de flammes doivent être bien séchés et correctement remis en place.
- ✓ Il est très important de vérifier que le distributeur de flamme du brûleur et le capuchon sont correctement positionnés - le non-respect de cette consigne peut entraîner de graves problèmes.
- ✓ Veillez à ce que l'électrode soit propre afin que les étincelles jaillissent toujours.
- ✓ **Remarque : pour éviter d'endommager l'électrode, ne l'utilisez pas lorsque les brûleurs ne sont pas en place.**

REPLACEMENT CORRECT DES BRÛLEURS

Il est très important de vérifier que la base du brûleur et le capuchon ont été correctement positionnés. Le non-respect de cette consigne peut entraîner de graves problèmes.



Vérifiez que l'électrode est toujours propre afin de garantir une étincelle sans problème.

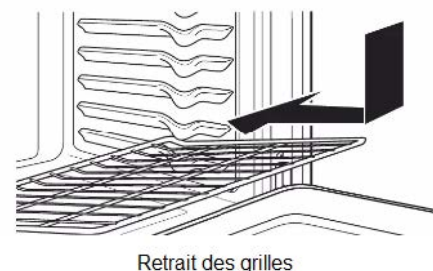
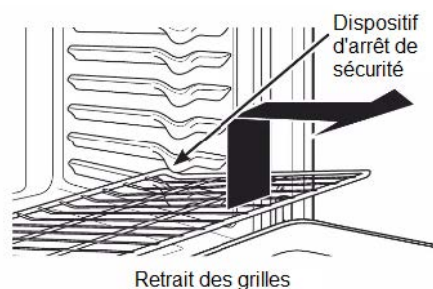
La bougie d'allumage doit être nettoyée très soigneusement.

INSTALLATION ET RETRAIT DE LA GRILLE DU FOUR

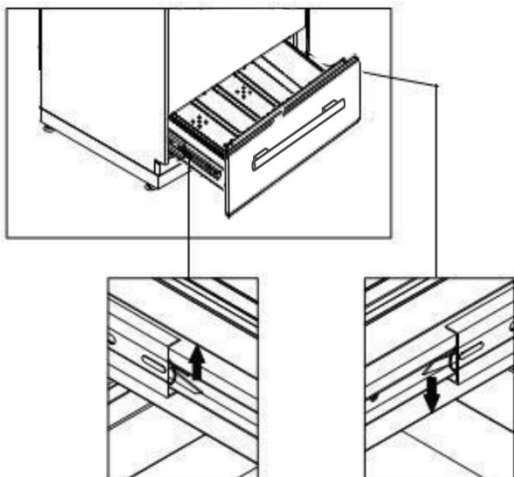
Les grilles du four sont munies d'un dispositif de sécurité pour éviter toute extraction accidentelle.

Ils doivent être insérés comme indiqué.

Pour les retirer, il faut procéder dans l'ordre inverse.



TIROIR DE RANGEMENT AMOVIBLE



1. Soulever le petit crochet gauche vers le haut et pousser en même temps le petit crochet droit vers le bas (voir l'image).

2. Tirez le tiroir.

3. Pour remettre le tiroir en place, alignez-le sur les rails et poussez-le vers l'intérieur.

Ne rangez pas de matériaux inflammables dans le four ou dans le tiroir inférieur.

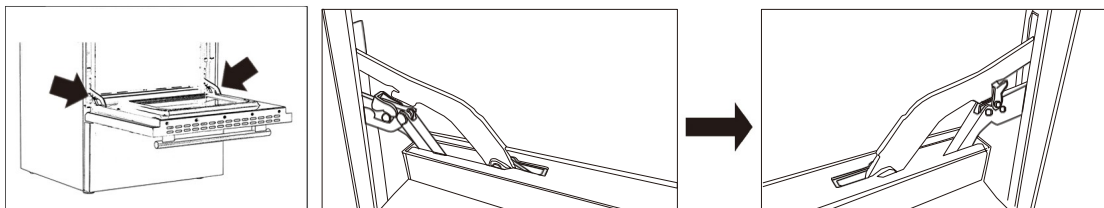
RETRAIT DE LA PORTE DU FOUR

Pour faciliter le nettoyage du four, il est possible de retirer la porte. Veuillez suivre attentivement les instructions :

RETRAIT DE LA PORTE DU FOUR

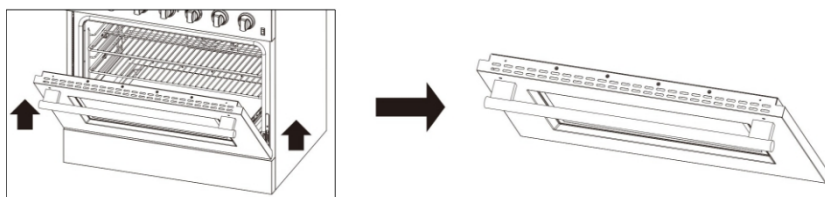
La porte du four peut être facilement retirée en procédant comme suit :

- Ouvrez la porte au maximum.
- Soulevez les crochets gauche et droit de la charnière.
- Tenez la porte comme indiqué sur la figure.
- Fermez doucement la porte et soulevez-la à deux mains lorsque les crochets touchent la porte.
- Posez la porte sur une surface plane et souple.
- Pour remplacer la porte, répétez les étapes ci-dessus dans l'ordre inverse.



Étape 1. Ouvrez la porte d'origine.

Étape 2. Laissez les crochets des charnières de la porte d'origine toucher la porte.



Étape 3. Tirez la porte d'origine à l'extérieur du four.

REPLACEMENT DE LA LAMPE DU FOUR

- Laisser refroidir la cavité du four et le brûleur du gril.
- Couper l'alimentation électrique.
- Retirer le couvercle de protection.
- Dévissez et remplacez l'ampoule par une nouvelle ampoule adaptée aux températures élevées (200°~ 500°F) ayant les mêmes spécifications : 120V 60Hz, 15W, E14.
- Remettre le couvercle de protection en place.
- **REMARQUE** : le remplacement de l'ampoule du four n'est pas couvert par la garantie.

PROBLÈMES AVEC VOTRE CUISINIÈRE À GAZ ?

Vous pouvez résoudre facilement de nombreux problèmes courants liés aux appareils électroménagers, ce qui vous permettra d'économiser le coût d'un éventuel appel au service après-vente. Essayez les suggestions ci-dessous pour voir si vous pouvez résoudre le problème avant d'appeler le réparateur.

GUIDE DE DÉPANNAGE

TROUVEZ VOTRE PROBLÈME ICI	CAUSE POSSIBLE	COMMENT CORRIGER LE PROBLÈME
Les brûleurs de surface ne s'allument pas.	La commande de surface n'a pas été complètement mise en position ON.	Poussez et tournez la commande en position ON jusqu'à ce que le brûleur s'allume, puis tournez la commande au réglage de flamme désiré.
	Les orifices du brûleur sont obstrués.	Utiliser un fil de fer ou une aiguille de petit calibre pour ouvrir les orifices.
	Les brûleurs ne sont pas correctement positionnés.	Vérifiez que les brûleurs sont correctement positionnés sur les capots d'orifice et qu'ils sont posés à plat sur le support de brûleur avec les languettes engagées dans les fentes.
	La cuisinière n'est pas réglée pour l'entrée de gaz appropriée.	Voir la section relative à la conversion de la cuisinière dans le manuel d'installation.
	Le pilote ne s'allument pas en raison d'une panne de courant.	Allumer le pilote manuellement.
	Le cordon d'alimentation de la cuisinière est débranché.	Assurez-vous que le cordon d'alimentation est branché sur une prise de terre.
La flamme brûle à mi-chemin.	Les orifices du brûleur sont obstrués.	Utiliser un fil de fer ou une aiguille de petit calibre pour ouvrir les orifices.
	De l'humidité est présente après le nettoyage.	Attiser légèrement la flamme et laisser le brûleur fonctionner jusqu'à ce que la flamme soit pleine. OU brûleurs secs à fond en suivant les instructions de la section "Nettoyage" de la cuisinière.
	La cuisinière n'est pas réglée pour l'entrée de gaz appropriée.	Voir la section relative à la conversion de la gamme dans le manuel d'installation.
La flamme est orange.	Particules de poussière dans la conduite principale.	Laisser le brûleur fonctionner pendant quelques minutes jusqu'à ce que la flamme devienne bleue.
	La cuisinière n'est pas réglée pour l'entrée de gaz appropriée.	Voir la section relative à la conversion de la gamme dans le manuel d'installation.
La lumière du four ne fonctionne pas.	Ampoule grillée ou desserrée	Serrer ou remplacer l'ampoule du four.
Le four ou le grill ne chauffe pas	La cuisinière n'est pas réglée pour l'entrée de gaz appropriée.	Voir la section relative à la conversion de la gamme dans le manuel d'installation.
	La commande de température n'est pas réglée correctement.	Assurez-vous que la commande de température est réglée à la température souhaitée.

Le four ou le gril ne chauffe pas. (suite)	Le pilote ne s'allume pas en raison d'une panne de courant.	Allumer les pilotes manuellement.
	Le fusible de la maison a sauté ou le disjoncteur s'est déclenché.	Vérifier/réinitialiser le disjoncteur et/ou remplacer le fusible. Ne pas augmenter la capacité du fusible. Si le problème vient d'une surcharge du circuit, faites-le réparer. corriger par un électricien qualifié.
	Le cordon de la cuisinière est débranché de la prise.	Assurez-vous que le cordon d'alimentation est branché sur une prise de terre.
La température du four est imprécise.	Le bulbe capillaire du four n'est pas positionné correctement.	Vérifier que le bulbe capillaire est bien enclenché dans les clips et qu'il ne touche pas les parois ou qu'il n'est pas recouvert de produit de nettoyage du four ou d'aliments.
	La commande de température n'est pas réglée correctement.	Assurez-vous que le bouton de réglage de la température est réglé sur la température souhaitée.
	Utilisation incorrecte de la feuille d'aluminium.	Garder le papier d'aluminium à l'écart des trous dans le fond du four et des côtés du four.
	L'évent est bloqué.	Veillez à ce que l'évent de la protection arrière soit dégagé.
	La cuisinière n'est pas définie pour l'option appropriée entrée de gaz.	Voir la section relative à la conversion des gammes dans l'installation manuel.
Fumée ou odeur lors de la première mise en service du four.	C'est normal.	
La cuisinière n'est pas à niveau.	Mauvaise installation.	Placer la grille au centre du four. Placer un niveau sur la grille. Régler les pieds de nivellement.
	Sol faible ou instable.	Assurez-vous que le sol est de niveau et qu'il peut supporter la cuisinière de manière adéquate. Contactez le menuisier pour corriger l'affaissement ou l'inclinaison du sol.
	Un mauvais alignement du meuble de cuisine peut donner l'impression que la cuisinière n'est pas à niveau.	Assurez-vous que les armoires sont d'équerre et qu'elles disposent d'un espace suffisant pour le dégagement de la cuisinière. Contactez le fabricant d'armoires pour corriger le problème.
Le four fume excessivement.	Viande trop proche du brûleur du gril.	Repositionner la plaque du gril pour laisser plus d'espace entre la viande et le gril. brûleur
	Viande mal préparée.	Enlever l'excès de graisse de la viande.

Schéma de câblage

