

Vernazza 40-Inch 25.07 cu.ft. Side-by-Side, Dual Zone Wine Cellar

Model: FWCDR6642-40S



FEATURES

Control Type	Touch Control
Control Location	Top
Number of Zones	2
Anti-UV Film	Yes
Lighting Type	LED, Blue
Defrost Type	Automatic
Sabbath Mode	No
Reversible Doors	No
Energy Saver	No
Cooling System	Compressor Base
°C/°F Convertible	Yes
Door Alarm	No
Leveling Legs	Yes
Telescopic Shelves	Yes
Display Shelf	Yes
Shelf Dimensions	15.9" x 16"

ZONES

Bottle Capacity (Per Zone)	83
Capacity (cu.ft) (Per Zone)	12.53
Number of Shelves (Per Zone)	10
Temperature Range (°F) (Per Zone)	41°F - 72°F
Zones dimensions (WxDxH)(in)	16.81" x 17.44" x 66.22"

TECHNICAL SPECIFICATIONS

Circuit Breaker Amperage:	15 Amps
Volts:	120 V
Frequency:	60Hz
Receptacle Type:	NEMA 5-15P
Compressor Type:	Constant Frequency Compressor
Refrigerant:	R600a
Certification	cETLus

PRODUCT SPECIFICATIONS

Product dimensions (WxDxH)(in)	39.4 x 25.3 x 74.8"
Net weight (lbs & kg)	360lbs 163.3kg
Carton dimensions (WxDxH)(in)	40" x 48" x 90"
Shipping Weight (lbs)	455lbs 206.4kg

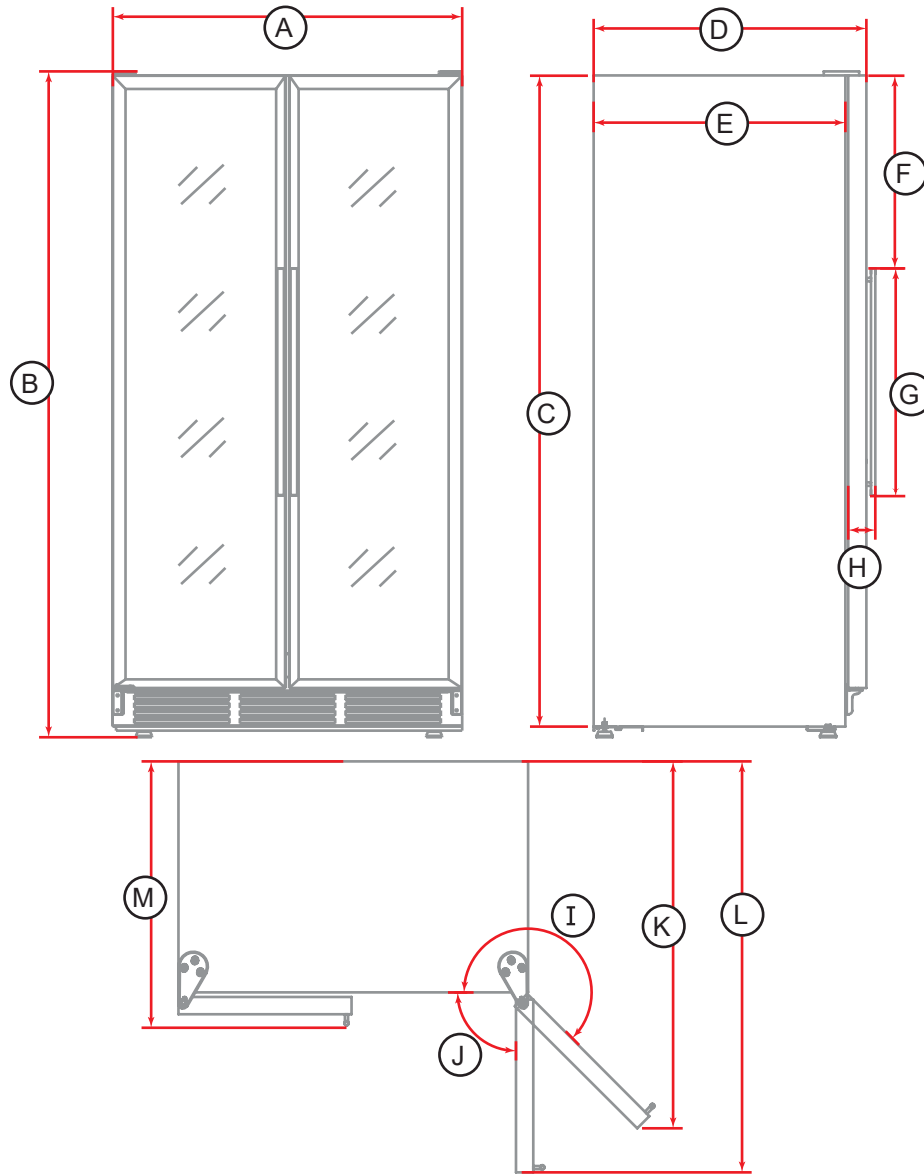
KEY FEATURES

- Dual temperature zone
- Tripple-layer anti-uv glass door
- 20 wooden shelves store up to 166 wine bottles
- Charcoal Air Filter for Neutralizing Odors
- 305 kWh / year

APPEARANCE

Advertise Unit Width	40"
Unit Style	Side-by-side
Counter-Depth	Yes
Built In / Freestanding	Freestanding Built-In
Door Color	Stainless Steel
Finger Print Resistant	Yes
Reversible Doors	No
Handle Color	Stainless Steel
Case Material	Steel
Case Color	Black
Shelf Material	Wood
Number of Shelves	20

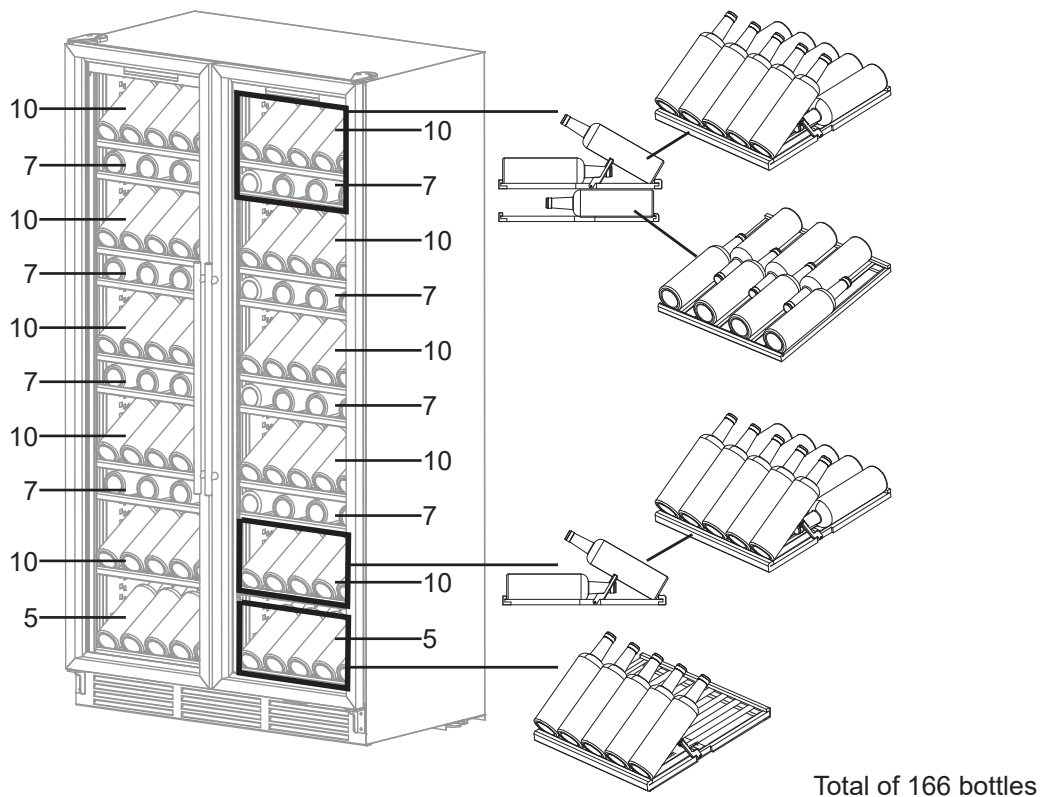
PRODUCT DIMENSION



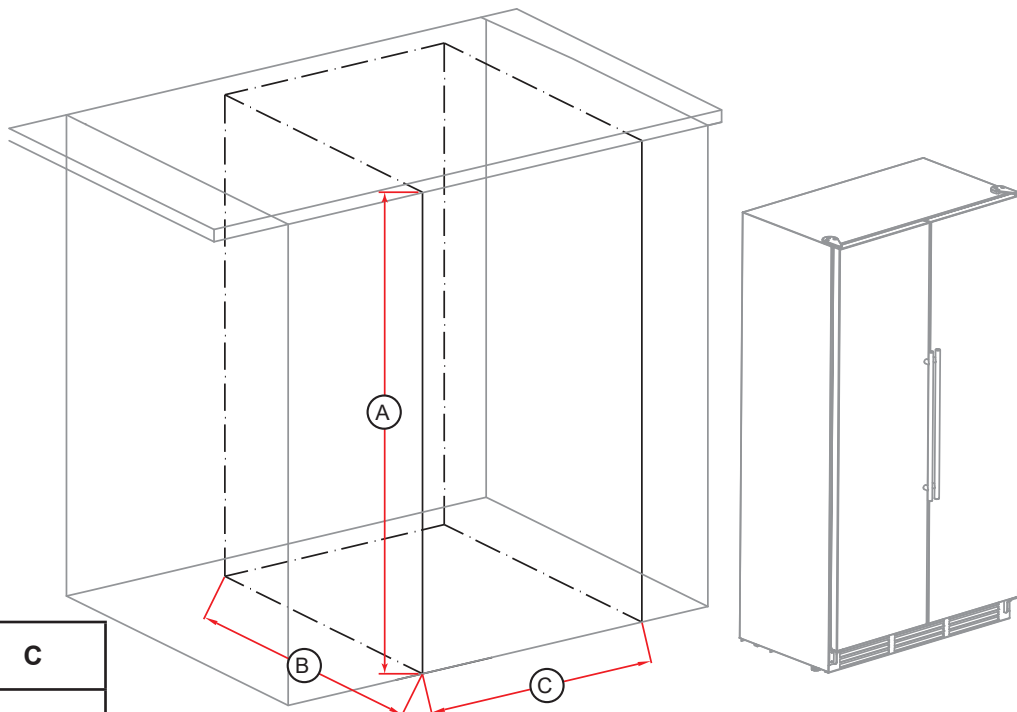
A	B	C	D	E	F
39 3/8"	74 13/16"	73 1/4"	23 7/16"	21 13/16"	16 7/8"
100cm	190cm	186cm	59.5cm	55.4cm	42.83cm

G	H	I	J	K	L	M
35 1/4"	3 7/8"	225°	90°	37 1/8"	42 1/16"	25 13/16"
89.5cm	9.8cm			94.27cm	106.78cm	65.5cm

PRODUCT DIMENSION (CONTINUED)



CUTOUT DIMENSION



A	B	C
75 13/64"	24 1/64"	39 48/64"
191 cm	61cm	101 cm