

Oliena Espresso White 24 Inch Built-In Microwave Convection Oven, 1.6 cu.ft.

Model: FMWDR3093-24WHT



INCLUDE
STAINLESS STEEL &
ANTIQUÉ BRASS
HANDLE



KEY FEATURES

- 1.6 cu.ft. Capacity
- Stainless steel interior
- Sensor cooking
- Choose between stainless-steel or antique brass handles
- 1000 Watts Microwave & 1750 Watts True Convection Oven

FEATURES

Display	LCD
Clock	Yes
Kitchen Timer	Yes
Clean Type	Manual Clean
Convection Type	True Convection
Convection Fan	Yes
Convection Element	Yes
Preset Menu Setting	-Frozen Foods -Sensor Cook -Sensor Reheat -Popcorn -Beverage -Pizza -Auto Menu
Power Level	11 Power Levels
Auto Defrost	Yes
Defrost Rack	No
Turn Table	Yes
Ceramic turntable	Yes
Wire Rack	Yes
Interior Light	Yes

TECHNICAL SPECIFICATIONS

Watts (W)	-1000 Watts Microwave -1750 Watts True Convection Oven
Circuit Breaker Amperage (A)	20
Volts (V)	120
Frequency (Hz)	60Hz
Plug In	Yes
Power Cord Plug Type	NEMA 5-20P
Power Supply Connection Location	Back

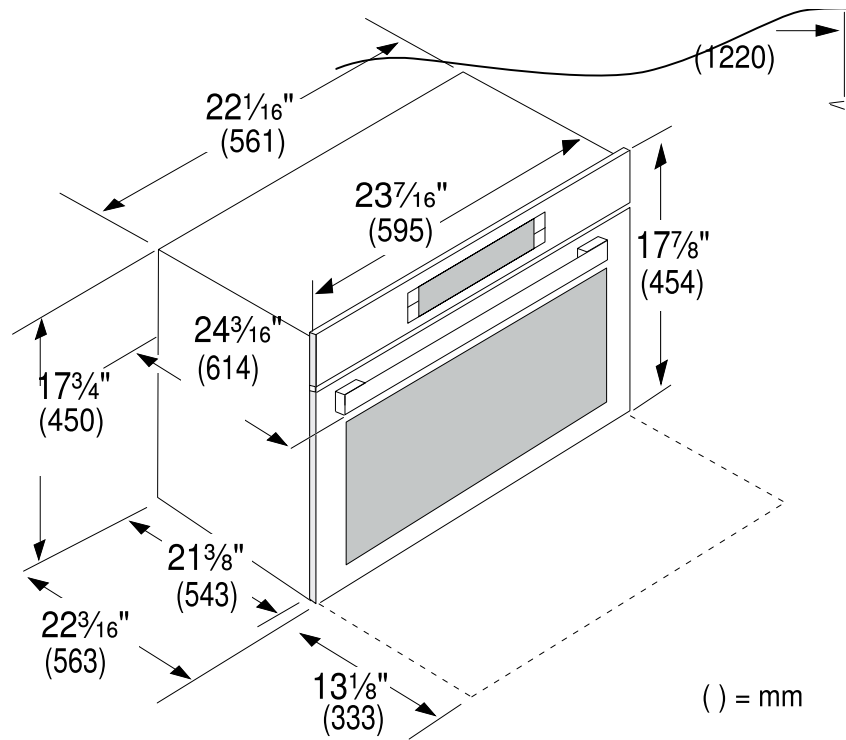
APPEARANCE

Appliance Type	Built-in Oven Microwave
Microwave Size	30"
Microwave Capacity (cu. ft.)	1.6
Door color	White
Case Material	Steel
Cavity Liner	Stainless Steel
Handle Color	Stainless-steel or antique brass handles
Control Location	Front Top
Control Type	Touch

PRODUCT SPECIFICATIONS

Product dimensions (WxDxH)(in)	29.88 x 24.44 x 19"
Net weight (lbs & kg)	88.5 lbs 40.14kg
Carton dimensions (WxDxH)(in)	26.3 x 33.9 x 23.7"
Shipping Weight (lbs)	99.3 lbs 45.04 kg

PRODUCT DIMENSION



CUTOUT DIMENSIONS

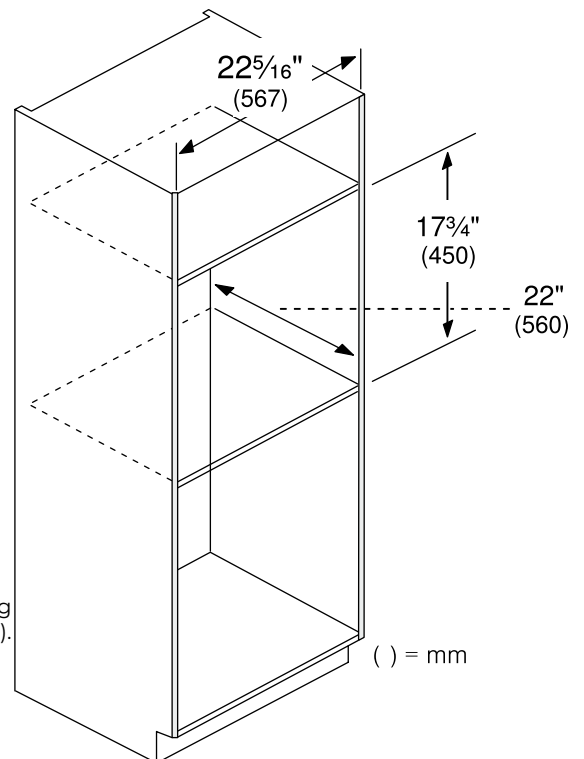
GENERAL CABINET REQUIREMENTS

- 1/4" (6mm) space between the side of the appliance and an adjacent wall or cabinet door when installed at the end of a cabinet run.
- The cabinet base must be flat and capable of supporting the weight of your appliance when in use. (See section Cabinet Dimensions).
- The appliance door will overlap the furniture below by approx 3/16" (5 mm) when opened.

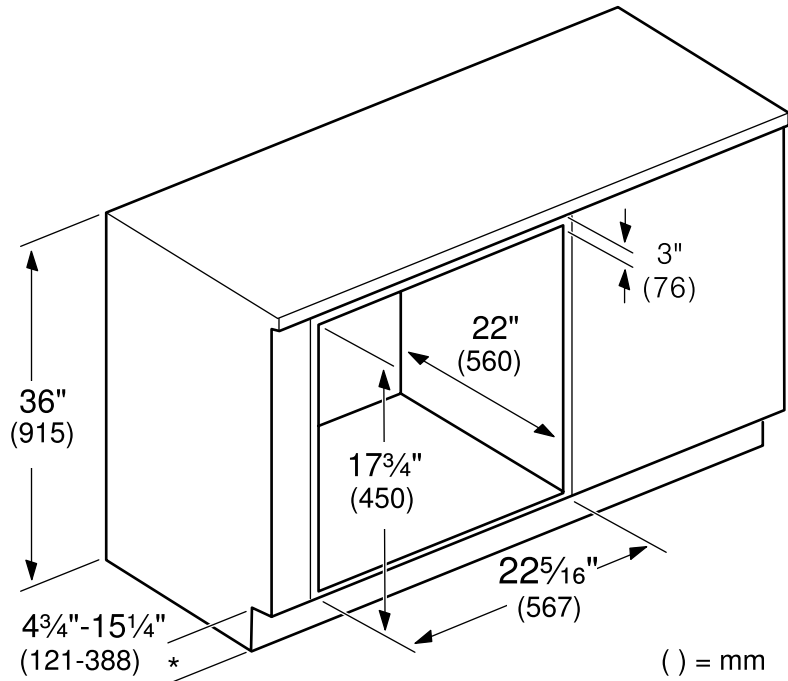
WARNING

There must be an air gap of at least 1/4" (6 mm) between the appliance and the cabinet walls when the appliance is installed, i.e. X" (3 mm) each side.

NOTICE: The cabinet base must be flat and capable of supporting a weight of at least 142 lbs (64.1 kg).



UNDER COUNTER



OUTLET AREA

The outlet can be located anywhere within the shaded area. Anywhere within the shaded area, the minimal distance between the appliance and the wall is 1 3/4 in (45mm).

Note: Power cord plug is a NEMA 5-20P

