

## 24" Built-In Dishwasher

MODEL NUMBER SERIES:  
FDWBI8035-24S / FDWBI8035-24BLK / FDWBI8035-24WHT

# INSTRUCTION MANUAL & INSTALLATION GUIDE

Read these instructions carefully before using your appliance, and keep it carefully.  
If you follow the instructions, your appliance will provide you with many years of good service.



## TABLE OF CONTENTS

Customer Care	4
Warning	5
Important Safety	6
Product Dimension	7
Cutout	8
Names of Parts and Accessories	9
Installations Preparation	10
Installation Procedure	13
Operating Instruction	18
Care and Maintenance	24
Troubleshooting	26
Wire Diagram	27
Warranty	28

## Customer Care

---

Thank you for purchasing a Forno product. Please read the entire instruction manual before operating your new appliance for the first time. Whether you are an occasional user or an expert, it will be beneficial to familiarize yourself with the safety practices, features, operation and care recommendations of your appliance.

Both the model and serial number are listed inside the product. For warranty purposes, you will also need the date of purchase .

Record this information below for future reference.

### Product Information

Model Number : \_\_\_\_\_

Serial Number :

Date of Purchase : \_\_\_\_\_

Purchase Address And Phone : \_\_\_\_\_

### Service Information

Use these numbers in any correspondence or services calls concerning your product.

If you received a damaged product, immediately contact Forno.

To save time and money, before you call for serviced, check the troubleshooting guide. It listed the causes of minor operation problems that you can correct yourself.



*“Need some quick help? Simply scan the qr code and get access to our fast support form. We’re always here to assist you with any questions or concerns you may have. So, don’t hesitate to reach out!”*

### Services in Canada and Untied States

Keep the instruction manual handy to answer your questions. If you don’t understand something or need more assistance, please visit our website for fast support. Please provide us your name, number, address,serial number of the product that troubleshooting, proof of purchase, and a short description of the issue. A customer service representative will contact you as soon as possible. All warranty work needs to be authorized by FORNO customer service. All our authorized service providers are carefully selected and rigorously trained by us.



**WARNING**  
FOR YOUR SAFETY

We have provided many important safety messages in this manual and on your appliance. Always read and obey all safety messages



This is the safety alert symbol. This symbol alerts you to potential hazards that can kill or hurt you and others. All safety messages will follow the safety alert symbol and either the word “DANGER,” “WARNING” or “CAUTION.” These words mean:



- You can be killed or seriously injured if you don't immediately follow instructions.



- You can be killed or seriously injured if you don't follow instructions.



- A potentially hazardous situation which, if not avoided, could result in minor or moderate injury.

All safety messages will tell you what the potential hazard is, tell you how to reduce the chance of injury, and tell you what can happen if the instructions are not followed.



**WARNING** : This product can expose you to chemicals including [Lead, lead and lead compound, which is [are] known to the state of California to cause cancer and birth defects or other reproductive harm. For more information go to [www.P65Warning.ca.gov](http://www.P65Warning.ca.gov).

## Important Safety Instructions

---



### WARNING

For your safety, the information in this manual must be followed to minimize the risk of fire or explosion, electric shock, and to prevent property damage, personal injury.

#### Proper installation

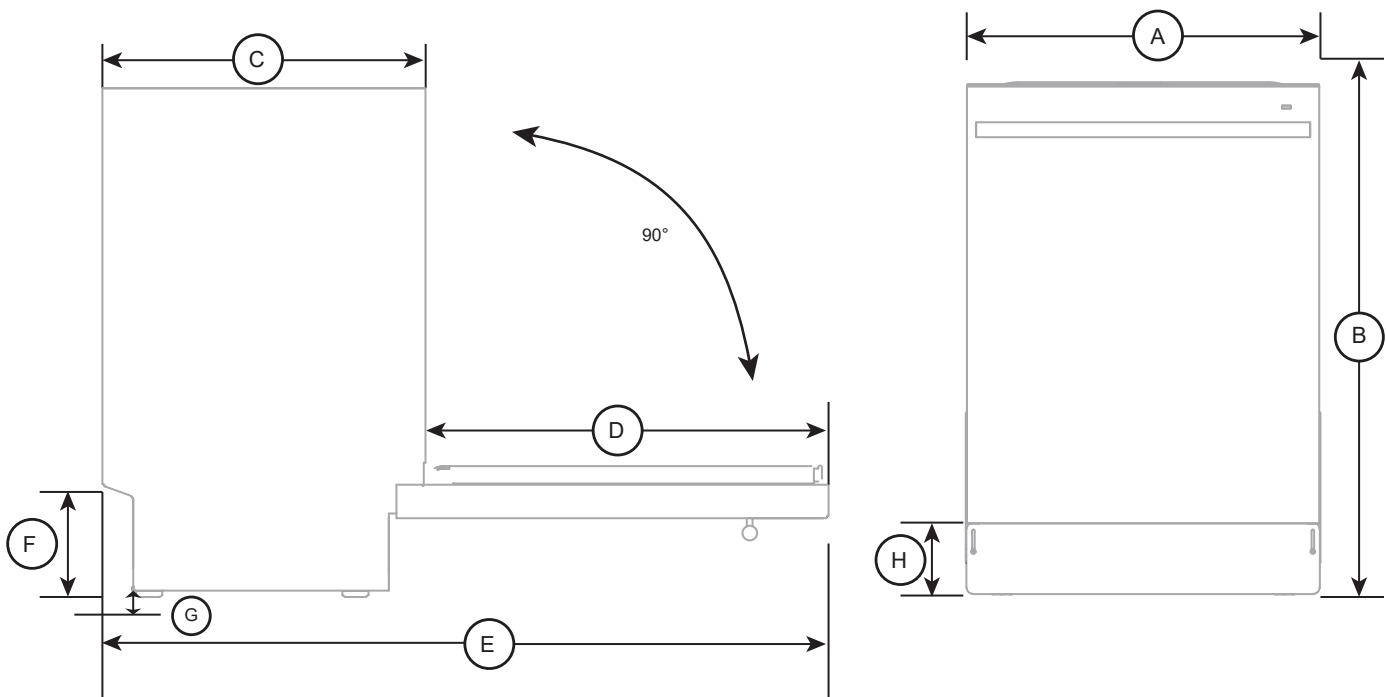
Please install your dishwasher properly follow the installation guide.

- Water supply temperature should be between 50°F to 140°F.
- Dispose of the discarded appliance and packing material properly.
- The dishwasher must be grounded, or it can result in a risk of electric shock.
- If there is any damage of the Dishwasher, please contact your Dealer, do not attempt to repair or replace any part by yourself.

#### Basic precaution before use

- Read all instructions before using the dishwasher.
- The manual does not cover every possible condition and situation that may occur.
- Use the dishwasher only for intended function as described in this manual.
- When loading items to be washed:
  - \* Load sharp items and knives so that they are not likely to damage the door seal and tub.
  - \* Load sharp items and knives with the handles up to reduce the risk of cut type injury.
- Do not wash plastic items unless marked dishwasher safe or the equivalent, if not marked, check with manufacturer for recommendation, items that are not dishwasher safe may melt and create a potential fire hazard.
- If the dishwasher drains into a food disposer, make sure disposer is completely empty before running dishwasher.
- Do not tamper with control.
- Do not operate your dishwasher unless all enclosure panels are in the properly place.
- Do not let children abuse, sit or stand on door or racks of a dishwasher.
- Under certain conditions, hydrogen gas may be produced in a hot water system that has not been used for two weeks or more. Hydrogen gas is explosive. If the hot water system has not been used for such a period, before using dishwasher, turn on all hot water faucets and let water flow from each for several minutes. This will release any accumulated hydrogen gas. Hydrogen gas is flammable. Do not smoke or use an open flame during this time.
- Do not store or use combustible materials, gasoline or other flammable vapors and liquids in the vicinity of this or any other appliance.
- Use only detergents or rinse agents recommended for use in a dishwasher and keep them out of the reach of children.
- Keep young children and infants away from dishwasher when it is operating.
- Do not use the dishwasher if it has a damaged power line or plug, and do not plug the dishwasher into a damaged outlet, failure to observe these instructions may result in electrical shock.
- Remove the door to the washing compartment when removing an old dishwasher from service or discarding it.

**Product Dimension**

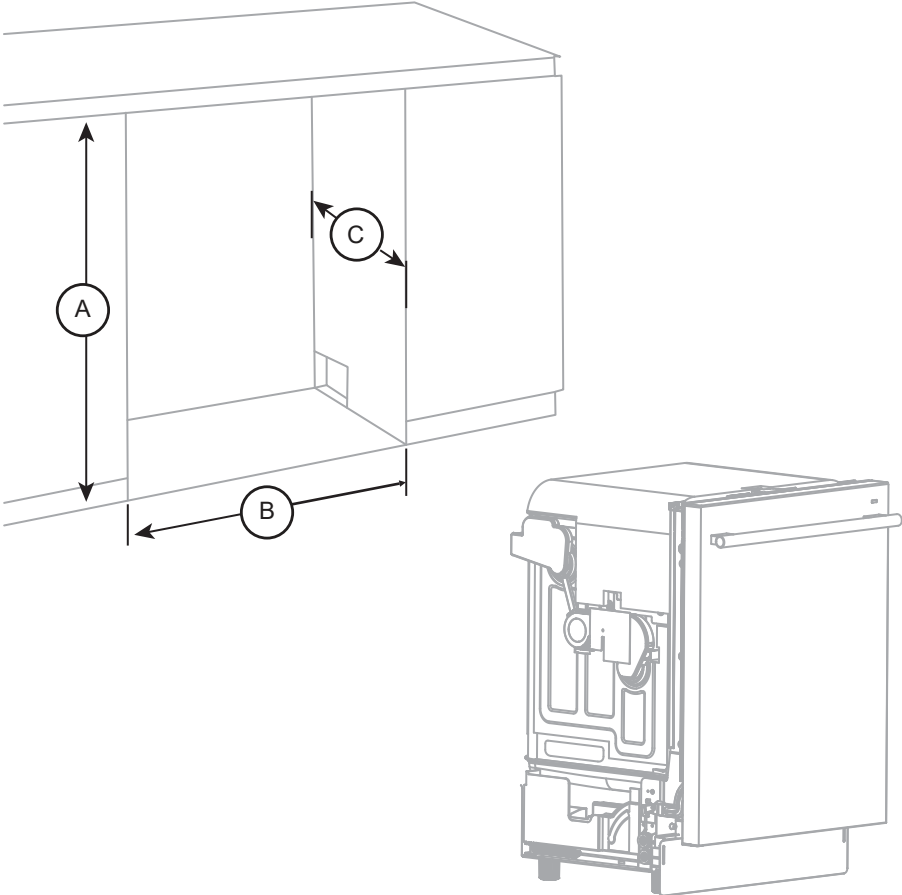


A	B	C	D	E	F
Overall Width	Overall Height Min./Max.	Overall Depth	Depth control panel to tub frame	Overall depth door full open	Height back shield top to feet
23.43"	33.70"/34.50"	22.44"	24.43"	46.06"	7.87"
59.5cm	85.5cm/88.0cm	57cm	64.6cm	117cm	20cm

G	H
Depth back shield	Height kickplate
1.57"	4.7"
4cm	12cm

Cutout

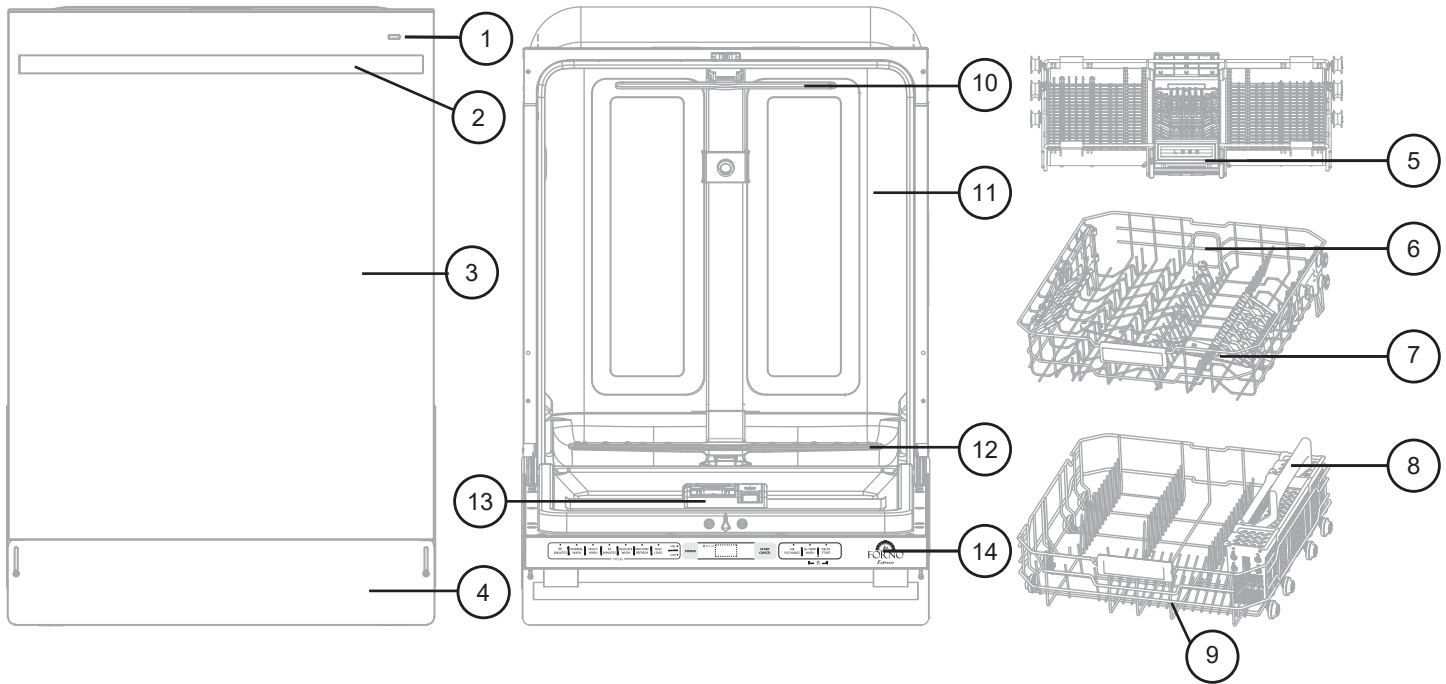
---



A	B	C
34-35"	23.6"	24"
86.36-88.9cm	59.94cm	60.96cm

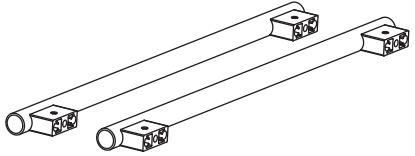
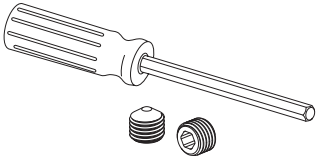
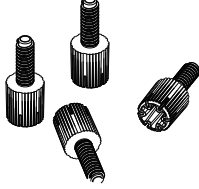
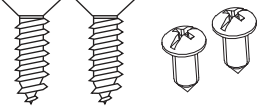
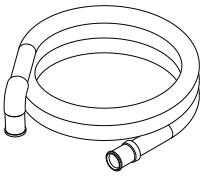



## Name of Parts and Accessories



1	Washing process indicator
2	Handle
3	Door plate
4	Kick plate
5	Upper rack
6	Middle rack
7	Middle washing arm

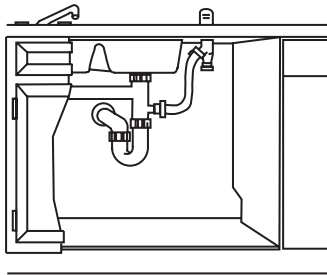
8	Silverware basket
9	Lower rack
10	Upper washing arm
11	Tub
12	Lower washing arm
13	Dispenser
14	Control panel

Supplied Parts		
 <p>2x Handle; Only for black &amp; white units***</p>	 <p>Screwdriver and 2x screws</p>	 <p>4x Leveling leg</p>
 <p>2x Fixing, 2x toe kick screws</p>	 <p>Drain hose</p>	 <p>Drain hose clamp</p>

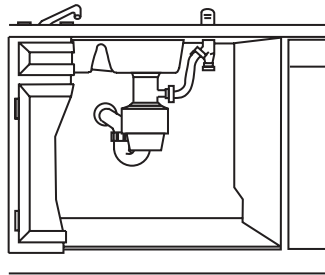


## Installation Preparation (continued)

### Method 1 - Air Gap with Waste Tee or Disposer



Waste Tee Installation

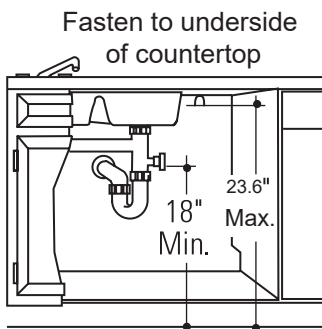


Disposer Installation

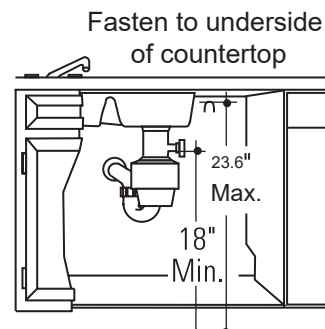
### Method 2 - High Drain with Waste Tee or Disposer

Provide a method to attach drain hose to underside of countertop.

Install waste tee or disposer and air gap according to manufacturer's instructions.



Waste Tee Installation



Disposer Installation

### CAUTION

An air gap **MUST BE USED** if the drain hose is connected to waste tee or disposer lower than 18" above the floor. Failure to provide the proper drain connection height with air gap or 23.6" maximum, high drain loop will result in improper draining of the dishwasher.

### CABINET PREPARATION

Drill a 1-1/2" dia. hole in the cabinet wall within the shaded areas shown in figure for the drain hose connection. The hole should be smooth with no sharp edges.

### PREPARE ELECTRICAL WIRING

### WARNING

**FOR PERSONAL SAFETY:** Remove house fuse or open circuit breaker before beginning installation. Do not use an extension cord or adapter plug with this appliance.

#### Electrical Requirements

- This appliance must be supplied with 120V, 60 Hz., and connected to an individual properly grounded branch circuit, protected by a 15 or 20 ampere circuit breaker or time delay fuse.
- Wiring must be 2 wire with ground.
- If the electrical supply does not meet the above requirements, call a licensed electrician before proceeding.

#### Grounding Instructions - Cable Direct

This appliance must be connected to a grounded metal, permanent wiring system, or an equipment grounding conductor must be run with the circuit conductors and be connected to the equipment grounding terminal or lead on the appliance.

## Installation Preparation (continued)

### Grounding Instructions - Power Cord Models

This appliance must be grounded.

In the event of a malfunction or breakdown, grounding will reduce the risk of electrical shock by providing a path of least resistance for electric current. The plug must be plugged into an appropriate outlet that is installed and grounded in accordance with local codes and ordinances.

### WARNING

The improper connection of the equipment grounding conductor can result in a risk of electric shock. Check with a qualified electrician or service representative if you are in doubt that the appliance is properly grounded.

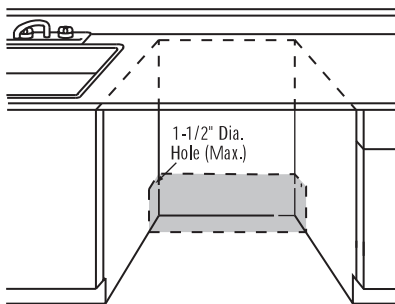
### Cabinet Preparation & Wire Routing

- The wiring may enter the opening from either side, rear or the floor within the shaded area.
- Cut a 1-1/2" max. diameter, hole to admit the electrical cable. The hole must be free of sharp edges. If the cabinet wall is metal, the hole edge must be covered with a bushing.
- Cable direct connections may pass through the same hole as the drain hose and hot water line, if convenient. If cabinet wall is metal, the hole edge must be covered with a bushing.

NOTE: Power cords with plug must pass through a separate hole.

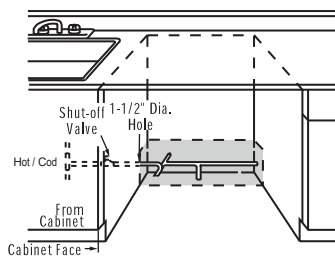
### Electrical Connection to Dishwasher

- For cable direct connections the cable must be routed as shown in following figure.
- For power cord connections, install a 3-prong grounding type receptacle.
- The power-supply receptacle for the appliance shall be installed in a cabinet or on a wall adjacent to the under counter space in which the appliance is to be installed.



### PREPARE WATER LINE

- The line may enter from either side, rear or floor within the shaded area shown in following figure.
- The line may pass through the same hole as the electrical cable and drain hose. Or, cut an additional 1-1/2" dia. hole to accommodate the water line. If power cord with plug is used, water line must not pass through power cord hole.



## Installation Preparation (continued)

---

### Water Line Connection

- Turn off the water supply.
- Install a hand shut-off valve in an accessible location, such as under the sink. (Optional, but strongly recommended and may be required by local codes.)
- Water connection is on the left side of the dishwasher. Install the water inlet line, using 3/4" 90° elbow and copper tube no less than 3/8" O.D..
- Adjust water supply temperature between 50°F to 140°F.
- Flush water line to clean out debris.
- The hot water supply line pressure must be 20-120 PSI.

## Installation Procedure

---

### CAUTION

Opening the door will cause the dishwasher to tip forward. Do not open the door until you are ready to install the dishwasher. If it is necessary to open the door, hold the top of the dishwasher securely with one hand and hold the door with the other hand.

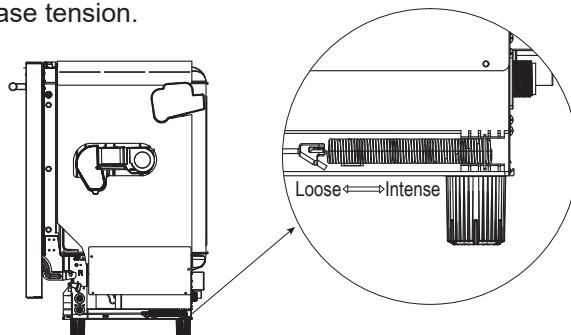


### BEFORE YOU BEGIN

Locate and set aside the package containing 2 head counter-top mounting screws and 2 additional toe kick screws (located in the literature package).

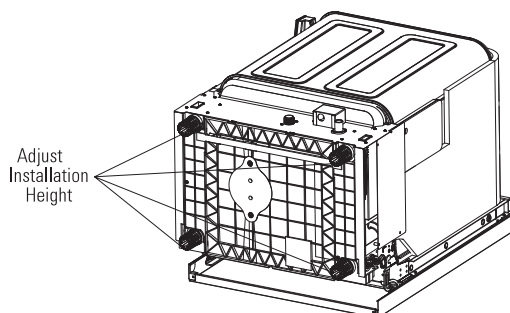
### STEP 1 CHECK DOOR BALANCE

- Open the door slowly, if the door drops when released, increase spring tension. If the door closes when released, decrease tension.
- Adjust both door springs to the same tension.
- Continue moving the spring pin until door is balanced.



### STEP 2 ADJUST LEVELING LEGS

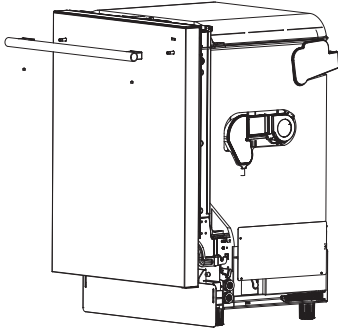
- Move the dishwasher close to the installation location and lay it on its back.
- Measure installation height and dishwasher height. Approx. 1/4" less than installation height.



## Installation Procedure (continued)

### STEP 3 INSTALL THE HANDLE

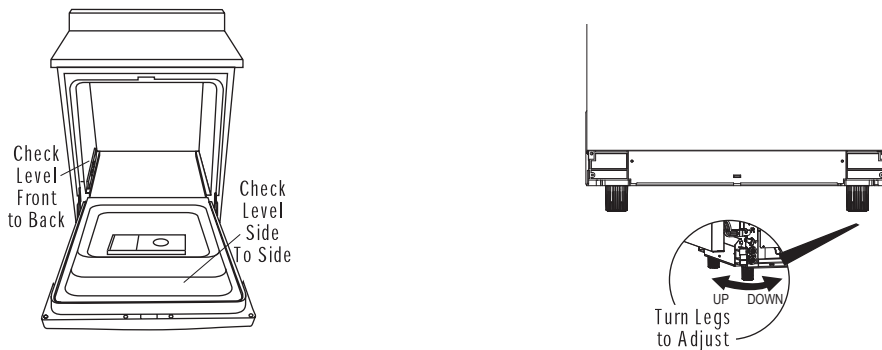
- Place the dishwasher at upright, find the studs on the door plate and align the two studs into the hole of handle's gather block, use the allen socket screwdriver to fasten two screws into each holes at below of gathering block.
- Be sure soft treatment to prevent the door form scratches.



### STEP 4 LEVEL DISHWASHER

IMPORTANT- Dishwasher must be level for proper dish rack operation and wash performance.

- Level the dishwasher by adjusting the four leveling legs individually.
- Place level on door and rack track inside the tub as shown to check that the dishwasher is level.



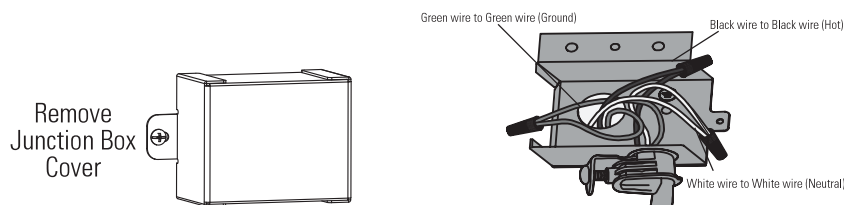
TIP: Pull lower rack out, about half way. Check to be sure the rack does not roll forward or back into dishwasher. If the rack rolls in either direction, the dishwasher must be leveled again.

### CAUTION

If door hits the tub, the dishwasher is not installed correctly. Adjust leveling legs to align door to tub.

### STEP 5 INSTALL POWER CORD

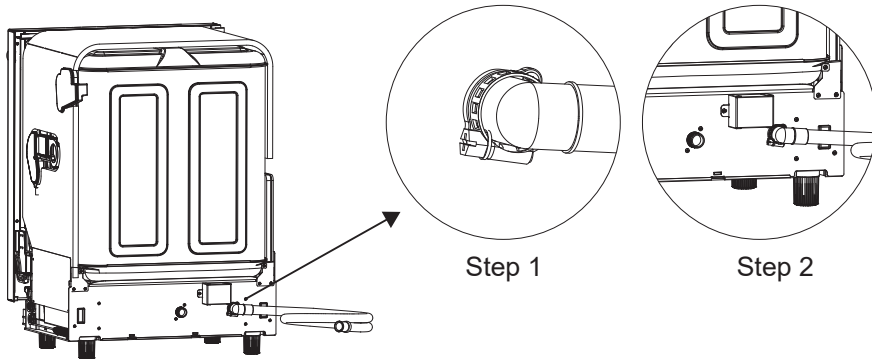
- Recommended power cord length is 54" min. and 64" max.
- Connect incoming power cord white (or ribbed) to dishwasher white, black (or smooth) to black and ground to dishwasher green wire. Use cUL/UL listed wire nuts of appropriate size.
- Replace junction box cover. Be sure wires are not pinched under the cover.



## Installation Procedure (continued)

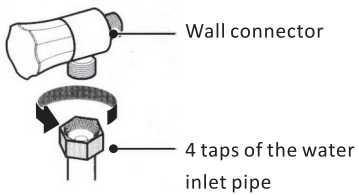
### STEP 6 INSTALL DRAIN HOSE

- Step 1: Put the hose clamp to drain hose 90° elbow end, do not tighten the clamp.
- Step 2: Insert the drain hose 90° elbow to dishwasher drain end, tighten the hose clamp.

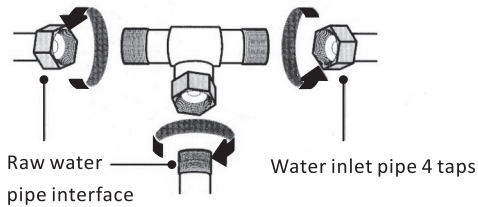


### STEP 7 CONNECT WATER SUPPLY

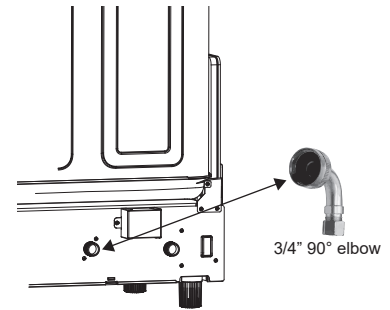
Two connection methods for water inlet pipe



Method 1  
connects to the faucet (via angle valve)



Method 2  
connects to the tee (through both ends of the water pipe interface)



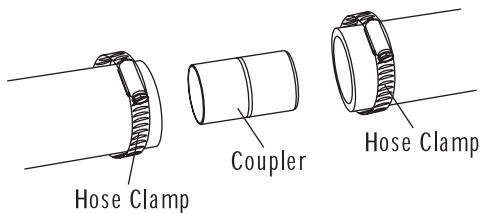
Note: use 3/4" 90° elbow connect to dishwasher water inlet end

### WARNING

A new water inlet pipe should be used to connect to the faucet or angle valve. It is strictly forbidden to use an aging or damaged water inlet pipe.

### STEP 8 CONNECT DRAIN LINE

- If a longer drain hose is required, add up to length for a total of 10 ft. to the factory installed hose. Use 5/8" or 7/8" inside diameter hose and a coupler to connect the two hose ends.
- Secure the drain hose to the air gap, waste tee or disposer with clamps.

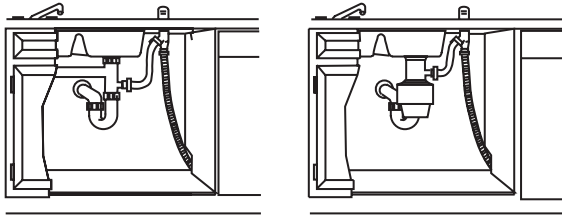


## Installation Procedure (continued)

### DRAIN LINE INSTALLATION

- Connect drain line to air gap, waste tee or disposer using either previously determined method.

#### Method 1 - Air Gap with Waste Tee or Disposer

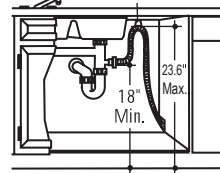


Waste Tee Installation

Disposer Installation

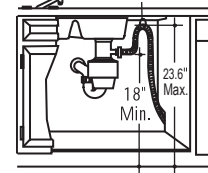
#### Method 2 - High Drain with Waste Tee or Disposer

Fasten to underside of countertop



Waste Tee Installation

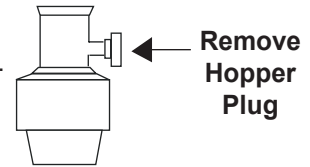
Fasten to underside of countertop



Disposer Installation

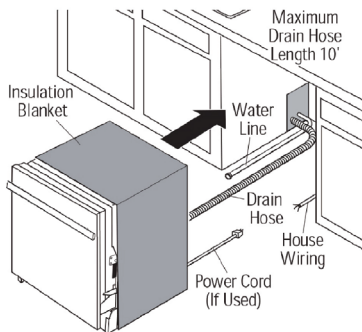
### CAUTION

When connecting drain line to disposer, check to be sure that drain plug has been removed. DISHWASHER WILL NOT DRAIN IF PLUG IS LEFT IN PLACE.



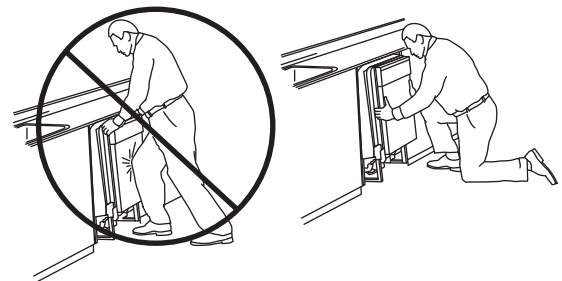
### STEP 9 INSERT DRAIN HOSE

- Upright the dishwasher and position in front of the opening. Insert drain hose into cabinet wall hole. If a power cord is used, guide the end through a separate hole.
- Position water line and house wiring on the floor to avoid interference with base of dishwasher.



### STEP 10 SLIDE DISHWASHER PARTIALLY INTO CABINET

- Slide dishwasher into the opening a few inches at a time. Do Not Push Against Front Door Panel With Knee. Damage to The Door Panel Will Occur.
- As you proceed, pull the drain hose through the opening under the sink. Stop pushing when the dishwasher is a few inches forward of adjacent cabinetry.
- Make sure drain hose is not kinked under the dishwasher and there is no interference with the water line and wiring or any other component.



### WARNING

DO NOT PUSH AGAINST FRONT PANEL WITH KNEES. DAMAGE WILL OCCUR.



## Installation Procedure (continued)

---

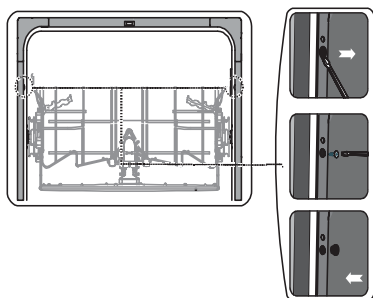
### STEP 11 POSITION DISHWASHER UNDER COUNTERTOP

- Check to be sure that wires are secure under the dishwasher and not pinched or in contact with door springs or other dishwasher components.
- Push dishwasher into cabinet. The front corners of the dishwasher door should be flush with cabinet doors. Be careful not to dent front panel with knees or damage counter-top or cabinets with dishwasher parts.

TIP: Check tub insulation blanket, if equipped. It should be positioned so it is not bunched up or interfering with door springs. Check by opening and closing the door.

### STEP 12 SECURE DISHWASHER TO CABINET

- Open the door remove the tub cap on both sides of the tub. Install screws through the dishwasher side holes to the wall of cabinet, re-install tub cap.

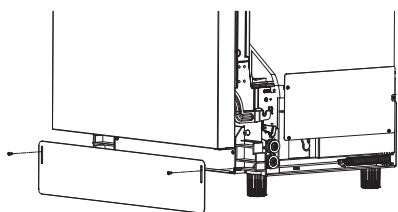


### CAUTION

Make sure screws inject straight and flush. Protruding screw heads will scratch the top of control panel and will interfere with door closing

### STEP 13 INSTALL KICKPALTE

- Place 1 piece toekick screw against the legs of the dishwasher. The slots should align with toekick bracket screw holes, allow the kickplate to touch the floor, install the toekick screws.



### STEP 14 PRE-TEST CHECKLIST

- Check to be sure power is OFF.
- Open door and remove all foam and paper packaging.
- Locate the Owner's Manual in the literature package.
- Read the Owner's Manual for operating instructions.
- Check door opening and closing. If door does not open and close freely or tends to fall, check spring adjustments. See Step 1.
- Check to be sure that wiring is secure under the dishwasher, not pinched or in contact with door springs or other components. See Step 5.
- Check door alignment with tub. If door hits tub, level dishwasher. See Step 4.
- Pull lower rack out, about half way. Check to be sure it does not roll back or forward on the door. If the rack moves, adjust leveling legs. See Step 4.
- Check door alignment with cabinet. If door hits cabinet, re-position or re-level dishwasher. See Step 4, 11.
- Verify water supply and drain lines are not kinked or in contact with other components. Contact with motor or dishwasher frame could cause noise. See Step 6, 7, 8.
- Turn on the water faucet and verify water temperature. Incoming water temperature must be between 50°F to 140°F. A minimum of 50F temperature is required for best wash performance. See "Prepare Water Line".

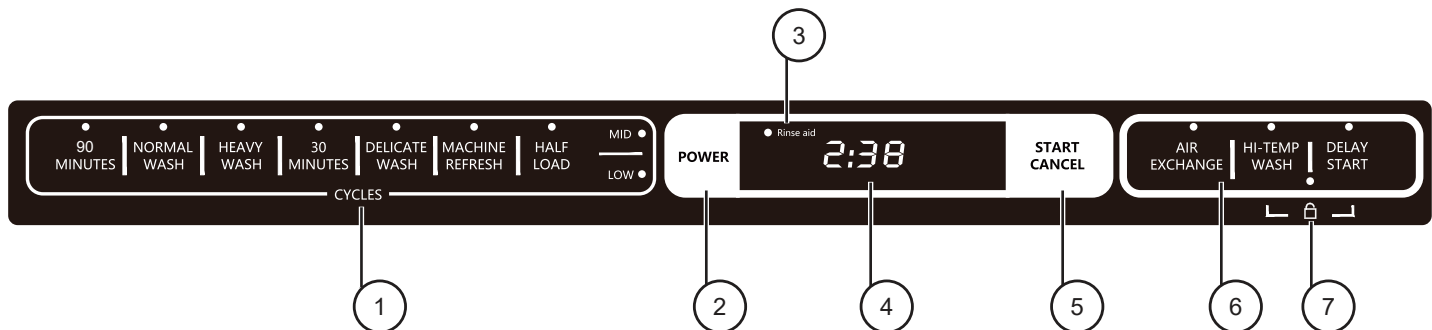
## Installation Procedure (continued)

- Add 2 liters of water to the bottom of the dish-washer to lubricate the pump seal.
- Turn on water supply. Check for leaks. Tighten connections if needed.
- Remove protective film if present from the control panel and door.

### STEP 15 DISHWASHER WET TEST

- Turn on power supply (or plug power cord into outlet, if equipped).
- Turn on your dishwasher (please refer to the Owner's Manual for instructions).
- Close door, select "30MINUTES" cycle and press "START/CANCEL".
- Check to be sure that water enters the dishwasher. If water does not enter the dishwasher, check to be sure that water and power are turned on.
- Check for leaks under the dishwasher. If a leak is found, turn power supply off, then tighten connections. Restore power after leak is corrected.
- Check for leaks around the door. A leak around the door could be caused by door rubbing or hitting against adjacent cabinetry. Re-position the dishwasher if necessary. See Step 11.
- When the dishwasher is draining, check the drain lines. If leaks are found, turn power off at the breaker and correct plumbing as necessary. Restore power after corrections are made.
- Open dishwasher door and make sure most of the water has drained. If not, check that disposer plug has been removed and/or air gap is not plugged. See Step 6,7,8 Also check drain line for kinking.
- Run the dishwasher through another fill and drain cycle. Check for leaks and correct if required.

## Operating Instruction



1	2	3	4	5	6	7
Washing Cycles	Power Button	Rinse Aid Indicator	Display window	Start/Cancel Button	Extra Function	Child Lock

### CONTROL PANEL

#### Washing Cycles

The dishwasher offers multiple cycle options applicable for different washing serves. pls refer the cycle table to choose the appropriate cycle.

## Operating Instruction (continued)

### Cycle Table

Cycles	90 MINUTES	NORMAL WASH	HEAVY WASH	30 MINUTES	DELICATE WASH	MACHINE REFRESH	HALF LOAD
Application	Family daily meals	Low water and electricity consumption	Heavy stains or large load amounts	Slight wash in short time	Exquisite glassware	Regular maintenance	Less or small amount of loading
Detergent Consumption (gram)	29.50	31.50	29.50	15.00	29.50	15.00	20.00
Cycle Time (Minutes)	90	181	124	28	52	73	96
Electricity Consumption (kWh)	1.20	0.90	1.40	0.50	0.60	0.95	1.00
Water Consumption (Litre)	13.2	10.70	19.60	9.80	13.00	9.60	12.20

### CAUTION

- Use “HEAVY WASH” program for hard sticking stains on the surface of the dinner plate.
- Stains that are difficult to clean by hand, such as steamed eggs, the cleaning performance may not good as wishes.
- The time, energy consumption, and water consumption values provided in the table are for reference only. There will be differences due to environmental temperature, tap water temperature, pressure, and tableware In actual use.

Note: Operation guide for unique cycle or special situation

### Half Load

Wash for middle rack or lower rack individually. Load the tableware at correct position when using this cycle.

Operation: Operate under standby status, press the “HALF LOAD” button, the MID light on means wash the middle rack only, press “HALF LOAD” again the “LOW” light on means wash the lower rack only.

### Change a cycle after cycle started

When you pressed “START/CANCEL” button but want to change a cycle, please press and hold the “START/CANCEL” button for 5seconds the original started cycle will be cancelled. Select desired cycle and start again.

Note: Close the door within 4seconds after pressed the “START/CANCEL” button. otherwise the dishwasher will enter pause mode, you will need to press “START/CANCEL” again then close the door.

### Cycle combine work with extra function

Following table shows the extra function can or can not combine work with washing cycles:

Function \ Cycle	90 MINUTES	NORMAL WASH	HEAVY WASH	30 MINUTES	DELICATE WASH	MACHINE REFRESH	HALF LOAD
AIR EXCHANGE	Y	Y	Y	Y	Y	Y	Y
HI-TEMP WASH	Y	Y	Y	Y	Y	N	Y
DELAY START	Y	Y	Y	Y	Y	Y	Y
CHILD LOCK	Y	Y	Y	Y	Y	Y	Y

Note: “Y” means the function and cycle can combine work, “N” means the function and cycle can not work together.

## Operating Instruction (continued)

---

### Power Button

Press and hold this button for 3seconds power on, the display window default show the time of "NORMAL WASH" cycle. At door opening status, press and hold this button for 5seconds to power off.

### Rinse Aid light Indicator

This indicator will automatically lighting-on when the dishwasher lack of rinse aid.

### Display Window

The display window shows cycle's remaining time, error codes, "F:on"(air exchange function), Hours of delay start.

### Start/Cancel Button

After cycles or function set, press the "START/CANCEL" button and immediately close the door to start washing process. The washing process will be interrupted when open the door during working.



### CAUTION

### Everytime

- Close the door within 4seconds when everytime pressed the "START/CANCEL" button. If failure to do so, the dishwasher will enter pause status, you will need to press the "START/CANCEL" button again then close the door.
- The display window will show flash ":" when everytime pressed the "START/CANCEL" button. Recognize by this signal to learn whether you have pressed the "START/CANCEL" button .

### Extra Function

The Dishwasher offers following extra function:

#### AIR EXCHANGE

This function make air circulate intermittently within 48 or 72 hours to keep the tub in a dry and fresh condition to reduce the growth of bacteria and odor. Operate as below:

- Set before cycle starts: After set desired cycles, press the "AIR EXCHANGE" button and the button indicator on and display window show 48H, press the button again display window show 72H, press once more cancel the function. After 48H or 72H set, press the "START/CANCEL" button and immediately close the door to start washing process. The Air exchange funtion will automatically start after washing cycle finished.
- Set during washing process: Slowly open the door be careful of HOT STEAM, press the "AIR EXCHANGE" button and the button indicator on and display window show 48H, press the button again display window shows 72H, press once more cancel the function. After 48H or 72H set, press the "START/CANCEL" button and immediately close door to recover the washing process. The Air exchange funtion will automatically start after washing cycle finished.
- Set after cycle finished: At power on status, press and hold the "AIR EXCHANGE" button for 3seconds and the button indicator will turn on and display window show 48H, press the button again display window shows 72H, press once more cancel the function. After 48H or 72H set, press the "START/CANCEL" button the display window show "F:on", immediately close the door to enable air exchange function.

#### HI-TEMP WASH

This function increase the washing temperature that enhance performance of bacteria elimination. Operate as below:

- After washing cycle set, press " HI-TEMP WASH" button the lighth indicator will turn on, then press the "START CANCEL" button and immediately close the door to enable this function.

Note: This function can not combine working with "MACHINE REFRESH" cycle, and it is unable to cancel once function enabled.

#### DELAY START

The dishwasher allows to start at desired future time. Operate as below:

- After washing cycle set, press the "DELAY START" button the light indicator will turn on, and display window show "H:01", press this button again the display window show "H:02", each single touch the number will incese 1hour till to "H:24". When desired hour set, close door and the dishwasher starts to countdown.  
To cancel this function, open the door and press the "DELAY START" button adjust to "H:00" or press and hold the "POWER" button for 5 seconds to shut off.

## CHILD LOCK

Child lock help to avoid children's danger from the running operation. Operate as below:

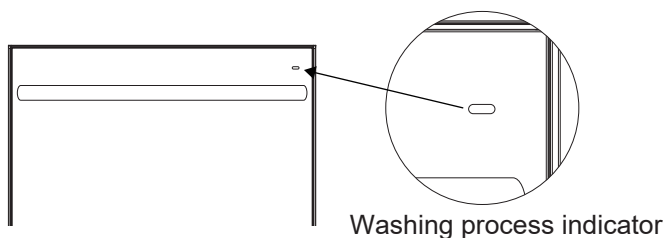
- Operate under open door and power on, press and hold the "HI-TEMP WASH" and "DELAY START" button at same time for 3seconds, the button light on and function enable .  
Press and hold the "HI-TEMP WASH" and "DELAY START" button at same time for 3seconds again to cancel this function.

## Washing process indicator

The washing process indicator located at outside of door plate, and the indicator change its color to show progress of the washing process.

A washing process come with washing and drying stage, the indicator distinguish each stage according to color below:

Stage	Washing	Drying	Finished
Color of indicator	White	Red	Blue

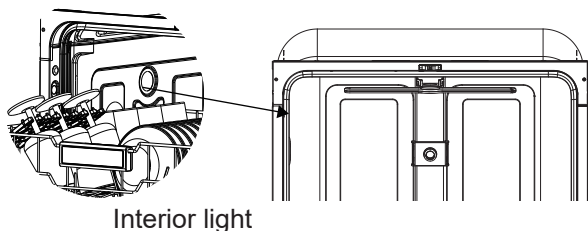


Note: The washing process indicator solid on during washing process. It goes flash when opening the door during washing or press "START/CANCEL" button but did not close the door within 4 seconds.

## Interior light

Interior light provide a better view for the tub, so user load and unable tableware easier.

This light automatically light on when open the door. Close the door or the door open for 8 minutes it will close.



## Getting Started

- Load dishwasher (See preparing and loading dishes).
- Add detergent (See Fill detergent to the dispenser).
- Add rinse aid, if needed (See Fill rinse aid to the dispenser).
- Select desired cycle (See cycle table).
- Select desired extra function (See extra function instruction).
- To start, press "START/CANCEL" button, and close door to latch within 4seconds.
- If pressed "START/CANCEL" but did not close door within 4seconds, you will need to press "START/CANCEL" again then close door.

## Preparing and loading dishes

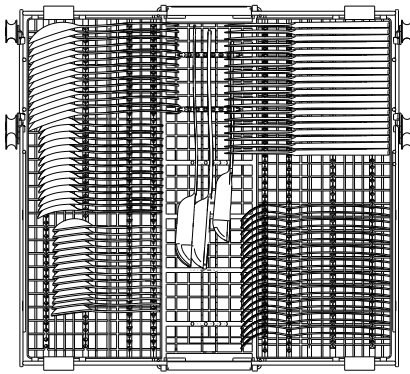
### Dish Preparation

- Scrape away large pieces of food, bones, pits, toothpicks, etc. The filtered wash system will remove the remaining food particles. Burned-on foods should be loosened before loading. Empty liquids from glasses and cups.
- Foods such as mustard, mayonnaise, vinegar, lemon juice and tomato based products may cause discoloration of stainless steel and plastics. it is best to remove these food soils unless the dishwasher is to be operated at once.
- If the dishwasher drains into a food disposer, be sure disposer is completely empty before starting dishwasher.

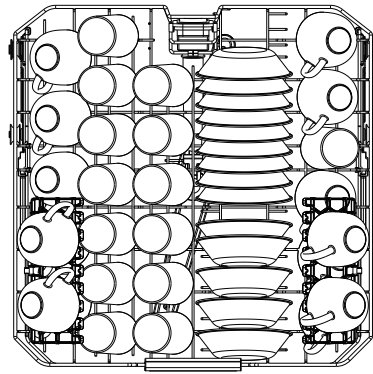
## Operating Instruction (continued)

### Loading Dishes

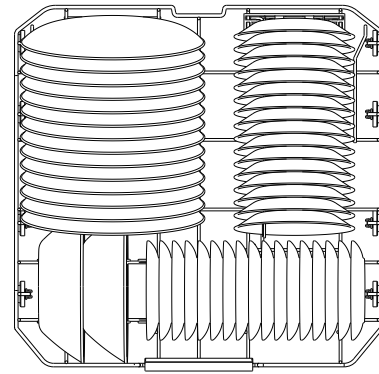
- Placement of racks



Upper Rack



Middle Rack



Lower Rack



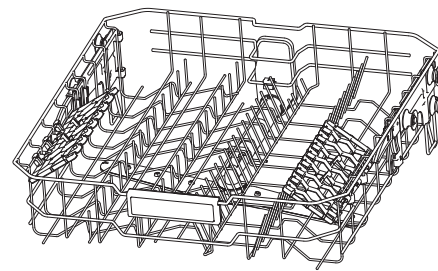
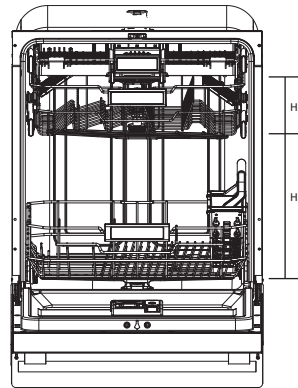
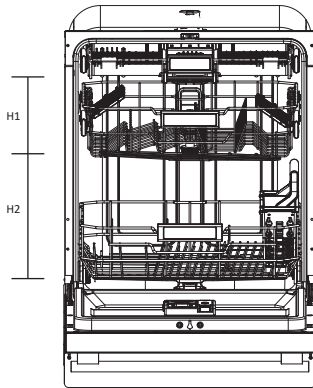
### CAUTION

Place the stained surface facing downwards

- All tableware is recommended to be placed at an angle, which can improve the washing area and washing quality. If it is placed in the wrong direction, the cleaning effect may not be satisfactory.
- In order to fully clean the stained surface with the jet of water, place the stained surface obliquely to the inside.
- Knives and other sharp tools must be placed in the rack and the tip is facing down or placed horizontally.
- The tableware put in must not protrude from the bottom of the rack to avoid blocking the spray arm. The height of the tableware in the lower rack is 29.5cm, so as not to block the spray arm of the upper rack.

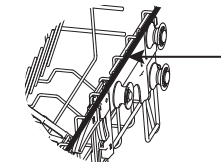
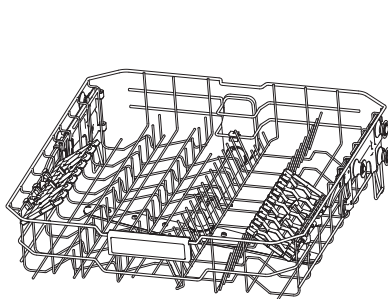
### Adjustable middle rack

The middle Rack can be raised or lowered to accommodate loading taller dishes in either rack. The Middle Rack clearance height H1 goes from 5.3" to 7.3". The lower Rack clearance height H2 is 9.6" to 11.6".

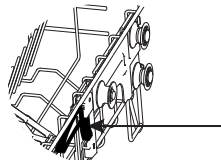


Middle Rack

Adjust the height of middle rack according to method below:



Hands hold the left and right side of rack frame, lift upwards to raising the rack.



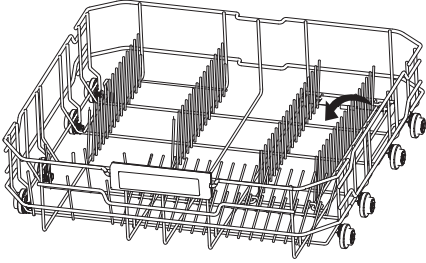
Hands hold the left and right side handle, push downwards to put back to the original position.

Note: Height should be adjusted without tableware in the rack.

## Operating Instruction (continued)

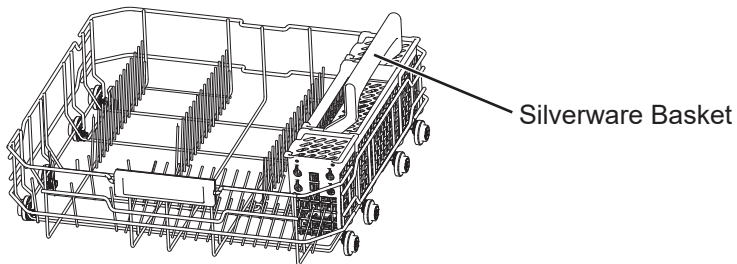
### Foldable Tines

The lower rack have foldable tine design which allows to put the loads large&irregular in shape.



### Silverware Basket

The lower rack have a silverware basket accommodate loading small or medium size spoons, knives, salad forks.



### WARNING

Do not let any item extend through bottom. Be sure nothing protrudes through bottom of the basket or rack to block the lower washing arm.

### Add or remove items after cycle starts

- Open door slightly and wait a few seconds until wash action stops completely before opening.
- Add or Remove the item.
- Press "START / CANCEL" and close door firmly to latch within 4 seconds, the cycle will automatically resume.

### CAUTION

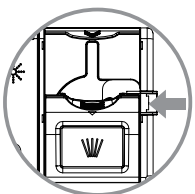
TO AVOID BURN INJURY: Slightly open door and wait till washing arms and wash action stop. Hot water may splash out of dishwasher. Failure to do so may result in injury.

### Fill detergent to the dispenser

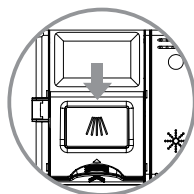
#### Dishwasher detergent dosage

Depending on the degree of contamination of the tableware, if the tableware has more stains, put more, on the contrary, add less. Please refer to the "Cycle Table" dosage or the dosage recommended on the packaging bag of the dishwasher detergent manufacturer.

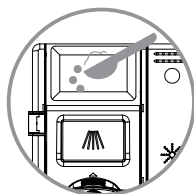
Steps to add dishwasher detergent



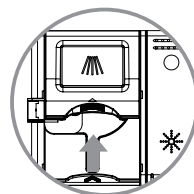
Press the dispenser button



The lid of detergent box will open automatically



Add detergent



Close the lid of detergent box

## Operating Instruction (continued)

---

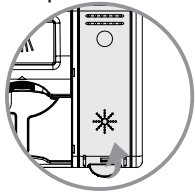
### WARNING

- Dishwasher detergent for dishwashers must be used, and detergents etc. cannot be substituted.
- Please do not add the detergent if do not attend to use dishwasher. Otherwise, the dishwasher detergent may become damp, and the oil will not be fully decomposed during the next using.

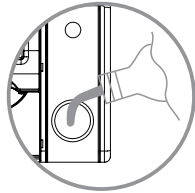
### Fill rinse aid to the dispenser

The Rinse Aid must be added when using the dishwasher for the first time. Rinse Aid is a consumable that is added once and used many times. When the lack of rinse aid lamp is on, it means that rinse aid needs to be added.

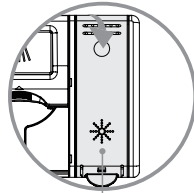
#### Steps to add Rinse Aid



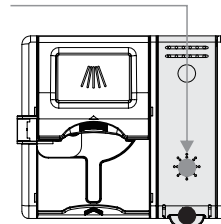
Open the lid of the rinse aid box by arrow direction



Add rinse aid



Press here to close the lid



press the arrow indicated dot to close the lid.  
Do not press black dot area

### WARNING

- Dishwasher specified rinse aid must be used.
- When the rinse aid indicator light up, please refill rinse aid in time.

## Care & Maintenance

---

Cleaning the exterior door and control panel

### Exterior Door

- Clean the stainless steel door and handle regularly to remove the debris with cleaning soft cloth.
- Do not use appliance wax, polish, bleach or products containing chlorine to clean the stainless steel door.

### Control Panel

Clean the control panel with a lightly dampened cloth, clean it gently.

### Cleaning the Inner door and tub

- The tub is made of Stainless Steel, it will not rust or corrode whatever the dishwasher scratched or dented
- Clean the spots on the steel inner door and tub with a damp nonabrasive cloth.
- Clean the door gasket with a damp cloth to remove food particles regularly.
- Use "MACHINE REFRESH" cycle to clean the dishwasher inside water lines.

### WARNING

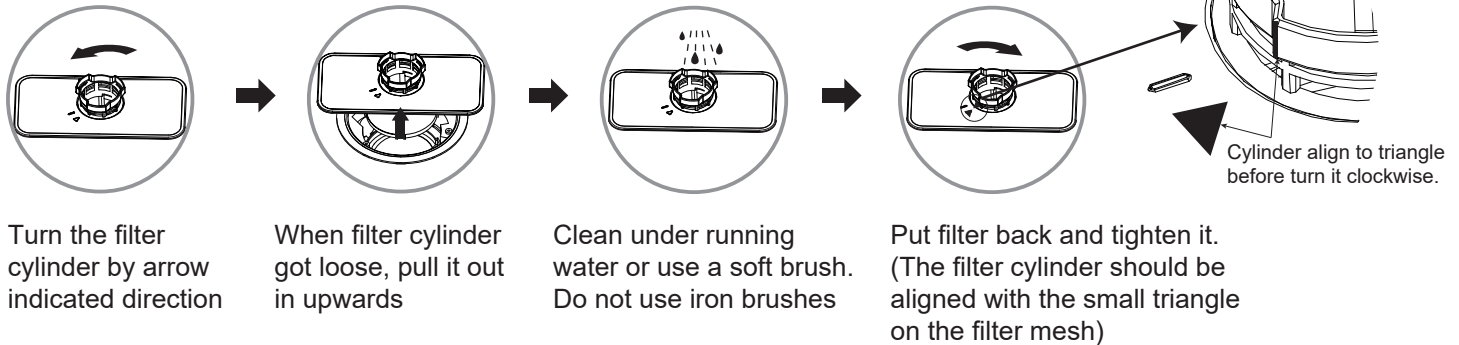
Leave some time let tub cool down before cleaning the interior, failure to do so can result in burns.



## Care & Maintenance (continued)

### Clean the filter

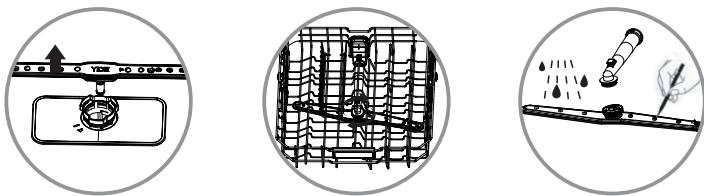
Steps to clean the filter



### Clean the washing arm

Steps to clean the washing arm

- Pulling out the lower rack, remove the lower washing arm by pull it upwards.
- Hold the middle washing arm, rotate the fixing ring clockwise to remove it from the rack.
- Clean the spray hole with a sharp object, and flush with water through the hole.
- Install arms back by the contrary direction of removal



### Protect against freezing

Have a qualified person do the following:

To Disconnect Service:

- Unplug the dishwasher from outlet.
- Turn off the water supply.
- Place a bucket under the inlet valve. Disconnect water line from inlet valve and drain into pan.
- Disconnect drain line from pump and drain water into bucket.

To Restore Service:

- Reconnect the water supply, drain hose and connect to power outlet.
- Turn on water and powering on the dishwasher.
- Fill detergent and run dishwasher in a cycle except self-clean.
- Check connections to make sure no leakage.

### ERROR CODES

- E3: The heating element failure.
- E4: Overflow occurs.
- E6: Temperature sensor open circuit failure.
- E7: Temperature sensor short circuit failure.
- E8: Water separator failure.
- E9: Water inlet failure.

To clear all error codes, press and hold the "POWER" button to power off, and wait at least 30seconds then power on, the error code will disappear. if the code still appears, please contact consumer care for further trouble shooting.

Note: Everytime the display window show error code, the dishwasher will start to drain for 2minutes.

## Troubleshooting

---

### **Opening the door requires a lot of force**

- There is dirt in the groove of the inner door which increases the resistance of opening the door.

### **Pressing the power button no reaction**

- If display window show nothing, may not plugged in or house power is shut off.
- If display window show contents, may child lock enabled.
- Oil or water on control panel or hands which cause touch failure.
- Pressing and hold the power button less than 3seconds.

### **Pressing the other buttons no reaction**

- Oil or water on control panel or hands which cause touch failure.
- If display window show contents, may child lock enabled.

### **Knocking sound during washing process**

- The tableware blocks washing arm.

### **The tableware is not clean after cycle finished**

- The tableware is loading or placing improperly.
- Washing cycle do not match degree of soiling.
- Detergent not enough, or added in the wrong place, or did not use a specified dishwasher detergent.
- The filter is not installed in place, causing food residues entered into water circulation system.
- The spraying holes in the washing arm is blocked.
- The washing arm is stucked.
- Did not follow dish preparation guide to remove hard or dry stains before loading dishes.
- Power interruption during washing process.

### **The tableware is not dry after washing cycle finished**

- There is no rinse aid in the dispenser or it is added in wrong place.
- The tableware is loading or placing improperly.
- The washing cycles is not finish.
- Selected cycle do not match.

### **Residue of detergent**

- The spraying holes in the washing arm is blocked.
- Adding too much detergent.
- Did not use specified dishwasher detergent.

### **Bubbles foam in the tub**

- Did not use specified dishwasher detergent.
- Adding too much detergent.
- Rinse aid box lid did not closing.

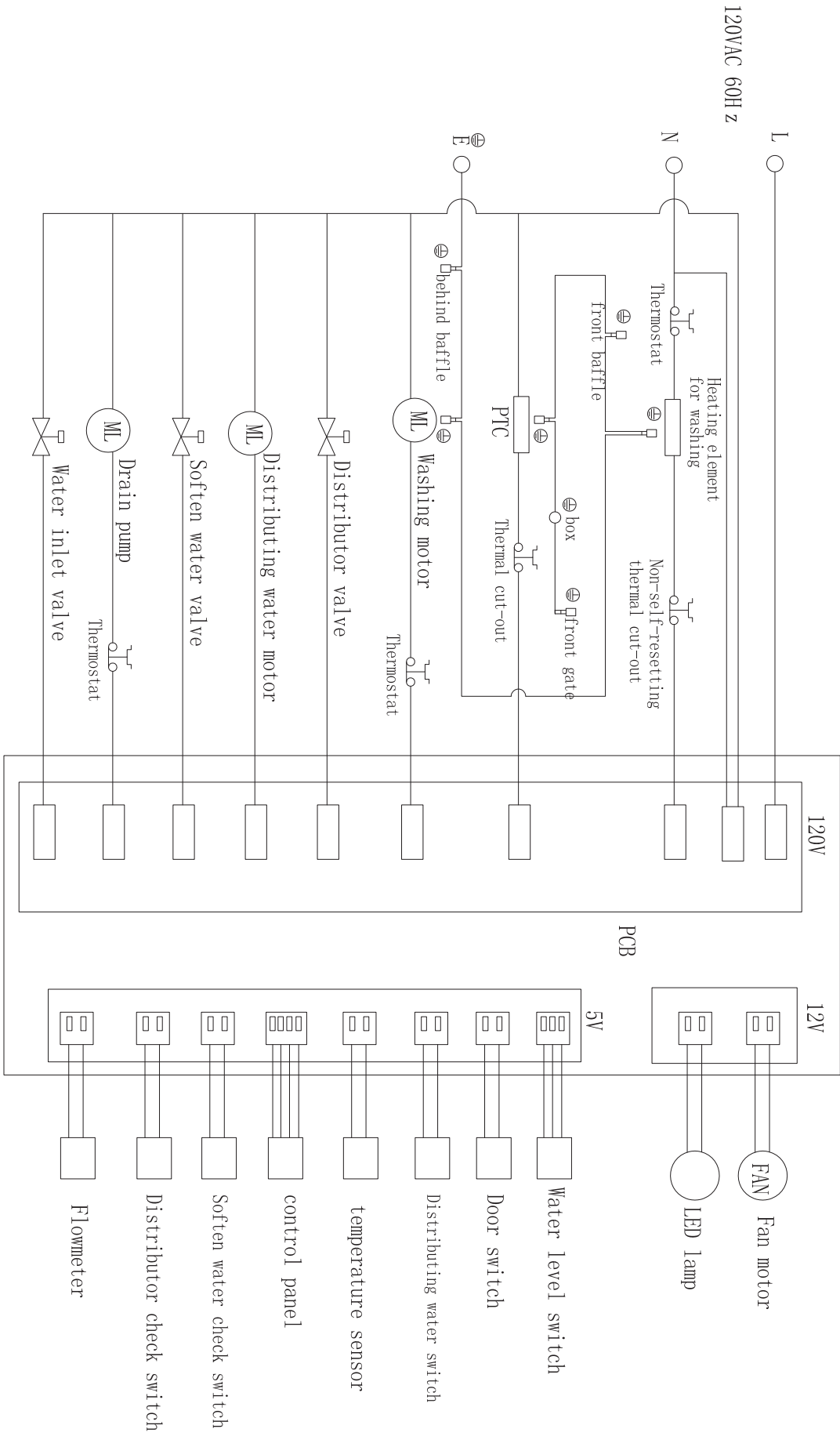
### **When the dishwasher leave no use, but a large amount of water is found in the dishwasher**

- The drain hose did not correctly installed.
- The drain hose is knotted, blocked or pressed by heavy objects.
- Drain pump failure.

### **A "wheezing" sound appears, and the display window show "F:on"**

- The Air Exchange function is enabled.

Wire Diagram



## Warranty

---

### What this limited warranty covers:

The Warranty coverage provided by Forno Appliances in this statement applies exclusively to the original Forno appliance ("Product") sold to the consumer ("Purchaser") by an authorized Forno dealer/distributor/retailer, purchased and installed in the United States or Canada, and which has always remained within the original country of purchase (the United States or Canada). Warranty coverage is activated on the date of the Product's original retail purchase and has a duration of two (2) years.

Warranty coverage is non-transferable. In the event of replacement of parts or of the entire product, the replacement Product (or parts) shall assume the remaining original Warranty activated with the original retail purchase document. This Warranty shall not be extended with respect to such replacement. Forno Appliances will repair or replace any component/part which fails or proves defective due to materials and/or workmanship within 2 years of the date of the original retail purchase and under conditions of ordinary residential, non-commercial use. Repair or replacement will be free of charge, including labor at standard rates and shipping expenses. Purchaser is responsible for making the Product reasonably accessible for service. Repair service must be performed by a Forno Authorized Service company during normal working hours.

### Important

Retain proof of original purchase to establish warranty period. Forno's liability on any claim of any kind, with respect to the goods and/or services provided, shall in no event exceed the value of the goods or service or part there of which has given rise to the claim.

### 30-Day Cosmetic Warranty

The Purchaser must inspect the product at the time of delivery. Forno warrants that the Product is free from manufacturing defects in materials and workmanship for a period of thirty (30) days from date of the original retail purchase of the Product.

This coverage includes:

- Paint blemishes
- Chips
- Macroscopic finish defects

### Cosmetic warranty does NOT cover:

- Issues resulting from incorrect transport, handling and/or installation (e.g.: dents, broken, warped or deformed structures or components, cracked or otherwise damaged glass components);
- Slight color variations on painted/enamelled components;
- Differences caused by natural or artificial lighting, location or other analogous factors; > stains/corrosion/discoloration caused by external substances and/or environmental factors; > labor costs, display, floor, B-stock, out- of-box, "as is" appliances and demo units.

### How to receive service

To receive warranty services, the Purchaser must contact the Forno Support department in order to determine the problem and the required service procedures. Troubleshooting with a customer service representative will be necessary before

moving forward with the service. Model number, serial number and date of original retail purchase will be requested.

### Warranty Exclusions: What Is Not Covered.

- Use of the Product in any non-residential, commercial application.
- Use of the Product for anything other than its intended purpose.
- Repair services provided by anyone other than a Forno Authorized Service agency.
- Damages or repair services to correct services provided by unauthorized parties or the use of unauthorized parts.
- Installation not in accordance with local/state/city/county fire codes, electrical codes, gas codes, plumbing codes, building codes, laws or regulations.
- Defects or damage due to improper storage of the Product.
- Defects, damage or missing parts on products sold out of the original factory packaging or from displays. > Service calls or repairs to correct an incorrect installation of the Product and/or related accessories.
- Replacement of parts/service calls to connect, convert or otherwise repair the electrical wiring and/or gas line in order to properly use the product.
- Replacement of parts/service calls to provide instructions and information on the use of the Product.
- Replacement of parts/service calls to correct issues arising from the product being used in a manner other than what is normal and customary for residential use.
- Replacement of parts/service calls due to wear and tear of components such as seals, knobs, pan supports, shelving, cutlery baskets, buttons, touch displays, scratched or broken ceramic-glass tops.
- Replacement of parts/service calls for lack of/improper maintenance, including but not limited to: build up of residues, stains, scratches, discoloration, corrosion.
- Defects and damages arising from accidents, alteration, misuse, abuse or improper installation.
- Defects and damages arising from Product transport, logistics and handling. Inspection of the product must be made at time of delivery. Following receipt and inspection, the selling dealer/delivery company must be notified of any issues arising from handling, transport and logistics.
- Defects and damages arising from external forces beyond the control of Forno Appliances, including but not limited to wind, rain, sand, fires, floods, mudslides, freezing temperatures, excessive moisture or extended exposure to humidity, power surges,
- Lightning, structural failures surrounding the appliance and other acts of God.
- Products whose serial number has been altered/damaged/tampered with. In no case shall Forno be held liable or responsible for damage to surrounding property, including furniture, cabinetry, flooring, panels, and other structures surrounding the Product. Forno is neither liable nor responsible for the Product if it is located in a remote area or an area where certified trained technicians are not reasonably available. Purchaser must bear any transportation and delivery costs of the Product to the nearest Authorized Service Center or the additional travel expenses of a certified trained technician

## Warranty

---

THERE ARE NO EXPRESS WARRANTIES OTHER THAN THOSE LISTED AND DESCRIBED ABOVE, AND NO WARRANTIES, EITHER EXPRESS OR IMPLIED, INCLUDING, BUT NOT LIMITED TO, ANY IMPLIED WARRANTIES OF MERCHANTABILITY OR FITNESS FOR A PARTICULAR PURPOSE THAT SHALL APPLY AFTER THE EXPRESS WARRANTY PERIODS STATED ABOVE, AND NO OTHER EXPRESS WARRANTY OR GUARANTEE GIVEN BY ANY PERSON, FIRM OR CORPORATION WITH RESPECT TO THIS PRODUCT SHALL BE BINDING ON FORNO. FORNO SHALL NOT BE LIABLE FOR LOSS OF REVENUE OR PROFITS, FAILURE TO REALIZE SAVINGS OR OTHER BENEFITS, TIME AWAY FROM WORK, MEALS, LOSS OF FOOD OR BEVERAGES, TRAVELING OR HOTEL EXPENSES, EXPENSES TO RENT OR PURCHASE APPLIANCES, REMODELING/CONSTRUCTION EXPENSES IN EXCESS OF DIRECT DAMAGES WHICH ARE UNDENIABLY CAUSED EXCLUSIVELY BY FORNO OR ANY OTHER SPECIAL, INCIDENTAL OR CONSEQUENTIAL DAMAGES CAUSED BY THE USE, MISUSE OR INABILITY TO USE THIS PRODUCT, REGARDLESS OF THE LEGAL THEORY ON WHICH THE CLAIM IS BASED, AND EVEN IF FORNO HAS BEEN ADVISED OF THE POSSIBILITY OF SUCH DAMAGES. NOR SHALL RECOVERY OF ANY KIND AGAINST FORNO BE GREATER IN AMOUNT THAN THE PURCHASE PRICE OF THE PRODUCT SOLD BY FORNO AND CAUSING THE ALLEGED DAMAGE. WITHOUT PREJUDICE TO THE FOREGOING, PURCHASER ASSUMES ALL RISK AND LIABILITY FOR LOSS, DAMAGE OR INJURY TO PURCHASER AND PURCHASER'S PROPERTY AND TO OTHERS AND THEIR PROPERTY ARISING FROM THE USE, MISUSE, OR INABILITY TO USE THIS PRODUCT SOLD BY FORNO THAT IS NOT A DIRECT RESULT OF NEGLIGENCE ON THE PART OF FORNO THIS LIMITED WARRANTY SHALL NOT EXTEND TO ANYONE OTHER THAN THE ORIGINAL PURCHASER OF THIS PRODUCT, IS NON-TRANSFERABLE, AND STATES YOUR EXCLUSIVE REMEDY.



**Correct Disposal of this product:**

This marking indicates that this appliance should not be disposed with other household wastes. To prevent possible harm to the environment or human health from uncontrolled waste disposal, recycle it responsibly to promote the sustainable reuse of material resources.



FOR  
**FAST SUPPORT**  
EMAIL AT [INFO@FORNO.CA](mailto:INFO@FORNO.CA) 

Customer Support: Call 1-866-231-8893 or email: [info@forno.ca](mailto:info@forno.ca)