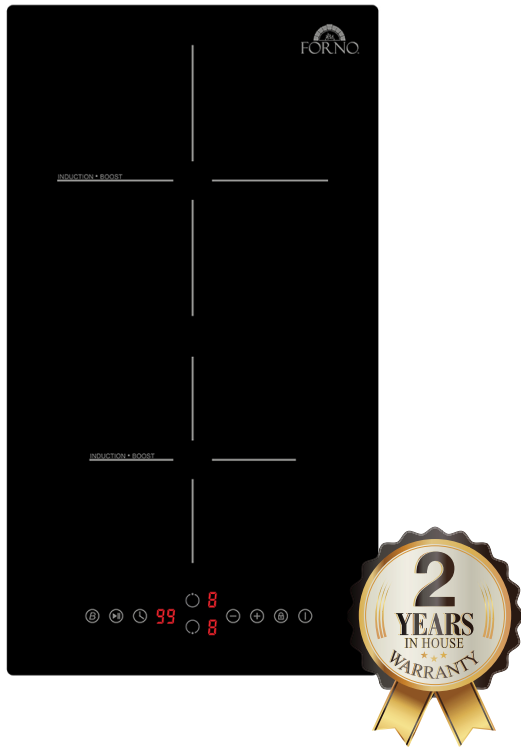


**Parco 12-Inch Induction Cooktop,  
2 Zones, 3600W, Touch Control,  
9 Power Levels & Booster Function**  
Model: FCTIN0583-12



**KEY Features**

- 2 Zones (3600W)
- Touch Control
- 9 Power Levels & Booster Function
- Individual Timer of 99 Minutes
- Stop & Go Function
- Child Control Lock

APPEARANCE	
Cooktop Size	12 Inch
Fuel Type	Electric
Cooktop Cavity material	Ceramic-Glass
Cooktop Surface	Smooth
Unit color	Black
Control Type	Touch Control
Control Location	Front of Burner
Number of Cooking Zone	2
Fingerprint resistant	Yes
Frameless	Yes

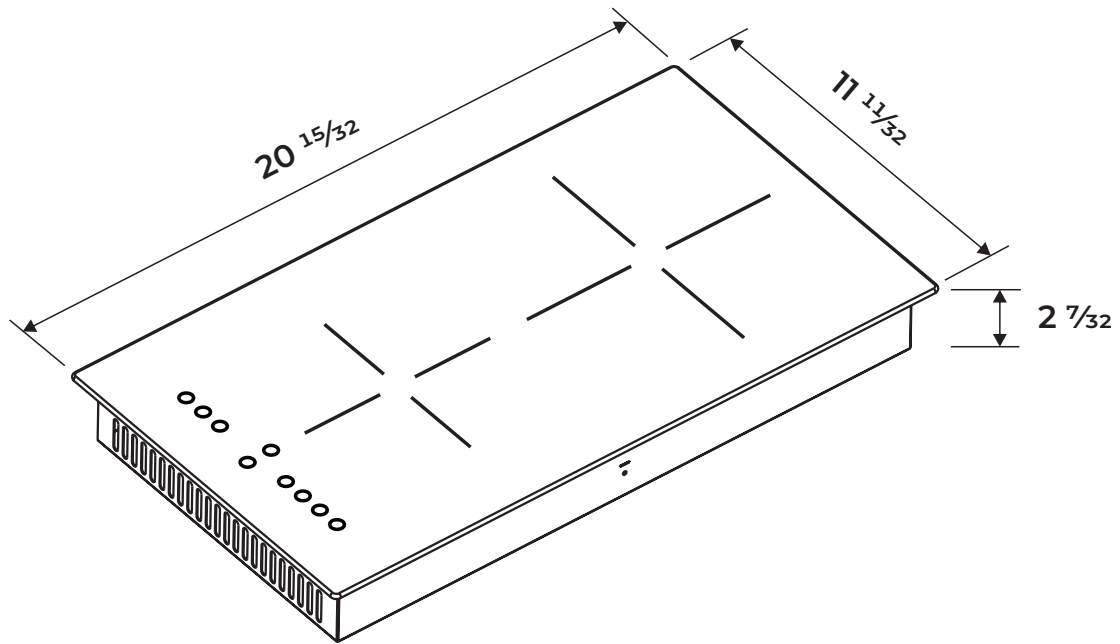
FEATURES	
Heating Element "ON" Indicator Light	Yes
Timer ( of 99 Minutes)	Yes
Power Off Function	Yes
Child Lock	Yes
Display Type	LED
Display Light Color	Red
Number of Power Levels	9
Booster Function	Yes
Stop & Go Function	Yes
Front Cooking Zone (Watts)	1500W, 2000W with boost
Rear Cooking Zone (Watts)	2000W, 2600W with boost

TECHNICAL SPECIFICATIONS	
Circuit Breaker:	20 Amps
Volts	240V
Frequency (Hz)	60
Power Cord Included	Yes
Power Cord Location:	Bottom
Power Cord Length:	3.15 Ft
Power Cord Type:	No Plug, (Hard Wired)
ISTA 6A	Yes
Safety Standards	cETLus
Certification	UL-858 CSA-C22.2 No.61
File/Certification Number	4002064

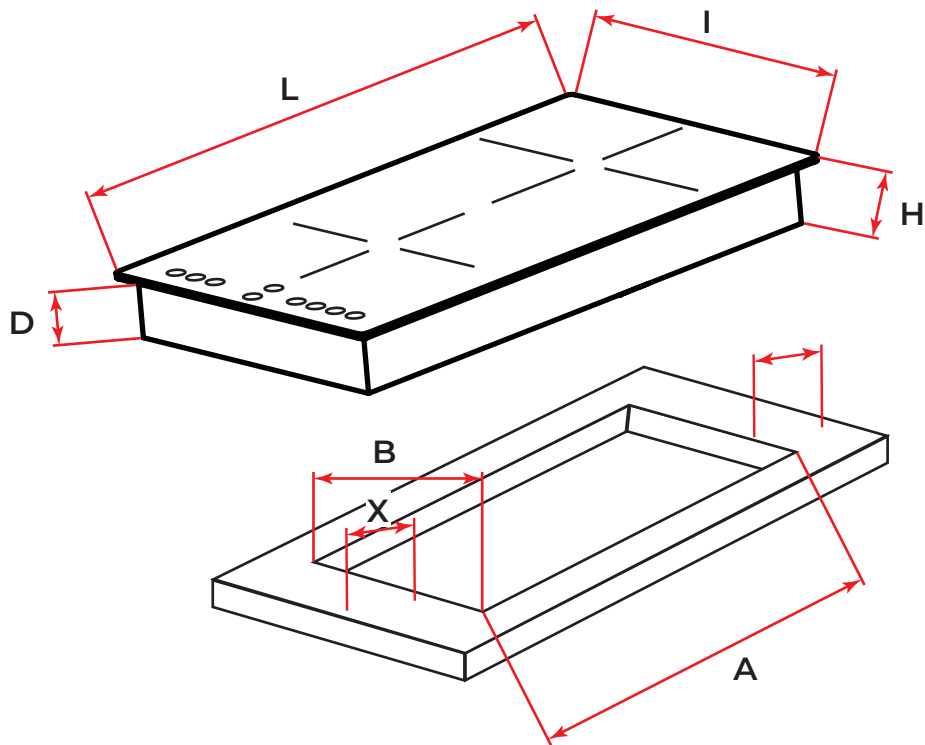
PRODUCT DIMENSIONS	
Product Dimensions (W X D X H)	11.34 x 20.47 x2.22 (Inches)
Cutout Dimension (W X D X H)	10.625 x 19.69 x 2.06 (Inches)
Net Weight (lbs)	12.8

CARTON DIMENSIONS	
Packaging Dimensions (W X D X H)	13.78x 22.17 x4.33 (Inches)
Carton Weight (lbs)	14.46

PRODUCT DIMENSION



PRODUCT DIMENSION



Model	L	W	H	D	A	B	X
FCTIN0583-12	$11 \frac{11}{32}$ "	$20 \frac{15}{32}$ "	$2 \frac{7}{32}$ "	$2 \frac{1}{16}$ "	$10 \frac{7}{16} + \frac{3}{16}$ "	$19 \frac{1}{2} + \frac{3}{16}$ "	2"