

# Leonardo Espresso 30-inch Slide-In Induction Range in White 5.0 cu. ft.

Model: FFSIN0982-30WHT



INCLUDE  
STAINLESS STEEL &  
ANTIQUÉ BRASS  
HANDLE & KNOBS



## KEY FEATURES

- Ceramic Glass provides an even heat distribution
- White Finish
- 4 induction elements
- Speckled blue enamel oven
- Stainless Steel Knobs & Handle
- Antique Brass Knobs & Handle


## APPEARANCE

Appliance type	Induction Range
Range Size	30"
Color Case material	Steel
Unit color	White
Oven Interior	Speckled Blue
Handle Color	Choice of SS or Anti-Brass
Cooktop surface type	Ceramic Glass
Number of burners	4
Number of Ovens	1
Burner Size	
Left Front :	9"
Left Rear :	7"
Right Front :	7"
Right Rear :	9"

## FEATURES

Type Convection	Single Fan
Oven Cleaning Type	Standard Clean
Preheat Light indicator	Yes
Oven Modes:	
Bake	Yes
Convection bake	Yes
Broil	Yes
Convection Broil	Yes
Convection Roast	Yes
Defrost	Yes
Oven Light(s) Control	Knob activated
Hidden Bake element	Yes
Oven rack	
Rack Levels	6
Oven Racks	2
Rack Dimensions	24"W x 15.75"D
Rack material	Chrome-Plated

## CAPACITY

Size	W: 29 7/8" H: 37 3/4" D: 27 5/8"
Oven capacity	cu. ft: 5
Oven Exterior Size	W: 24 1/2" H: 19 11/16" D: 17 11/16"
Burner capacity	
Left Front :	2100W
Left Rear :	1500W
Right Front :	1500W
Right Rear :	3000W
Bake Wattage	1500W
Broiler Wattage	2000W
Convention Fan Wattage	50w

## TECHNICAL SPECIFICATIONS

Electrical supply	240 V 60 HZ
Dedicated Circuit Breaker Amp	50
Total Amp Use	44.79
Power Cord	Yes
Certification	cETLus
Leveling Leg	Min: $\frac{25}{64}$ - Max: 2"
Warranty	2 yrs
Packaging dimensions	W: 29" H: 38" D: 33"
Weight	176.5lbs

## ADDITIONAL ACCESSORIES



Stainless steel handle



Antique brass handle

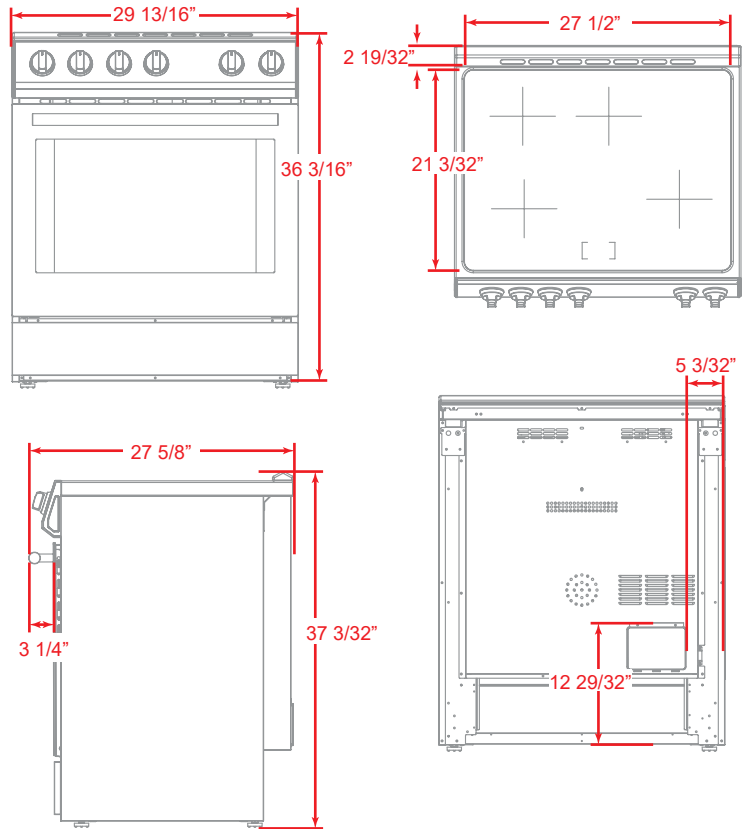


Stainless steel knob



Antique brass knob

## PRODUCT DIMENSION



## CUTOUT DIMENSION:

