

# 30" Espresso Electric Range

Model: FFSEL6012-30WHT



INCLUDE  
STAINLESS STEEL &  
ANTIQUÉ BRASS  
HANDLE & KNOBS



## FEATURES AND BENEFITS

- Knob control
- Black cavity
- Standard clean
- Oven functions : Light , bake , Convection bake , Broil , Convection Broil , Convection roast , defrost
- Cooker top power :  
Right Front 2500W / Right Rear 1200W  
Left Front 2200W / Left Rear Burner 1200W
- Accessories : 2 racks
- Included: 2 sets of knobs and handles: Stainless Steel and Antique Brass finish.

## APPEARANCE

Appliance type	Electric Range
Range Size	30"
Unit material	Steel
Unit color	White
Door Style	Chef doors
Door Color	Stainless Steel
Handle design	Forno
Handle Color	Choice of SS or Anti-Brass
Cooktop surface type	Ceramic
Number of burners	4
Number of Ovens	1
Case material	Stainless Steel

## FEATURES

Convection Technology Type	Convection
Oven Cleaning Type	Standard Clean
Is the knob dishwasher safe	Yes
Light indicator preheat signal	Yes
Removable Sliding rack	Yes
Rack material	Chrome
Oven Modes:	
Bake	Yes
Convection bake	Yes
Broil (high & low)	Yes
Convection Broil (high & low)	Yes
Convection Roast	Yes
Defrost	Yes
Oven lights	Yes
Thermostat:	Yes
Element indicator	Yes
Oven color	Black
Oven rack	
Rack Levels	6
Oven Racks	2

## CAPACITY

Size	W: 30" H: 37 1/8" D: 26 1/4"
Leveling Leg	Max: 2" Min: 25/64
Oven capacity	W: 24 19/32" H: 19 19/32" D: 17 45/66" ft3: 5
Burner capacity	
	Left Front : 2200W
	Left Rear : 1200W
	Right Front : 2500W
	Right Rear : 1200W
Bake Wattage	1500W
Broiler Wattage	2000W

## TECHNICAL SPECIFICATIONS

Electrical supply	240 V 60 HZ
Power connection	Plug not included
Certification	ETL listed (Can & Us)
Warranty	2 yrs
Packaging dimensions	W: 33" H: 38" D: 29"
Weight	171lbs

## ADDITIONAL ACCESSORIES



Stainless steel handle



Antique brass handle

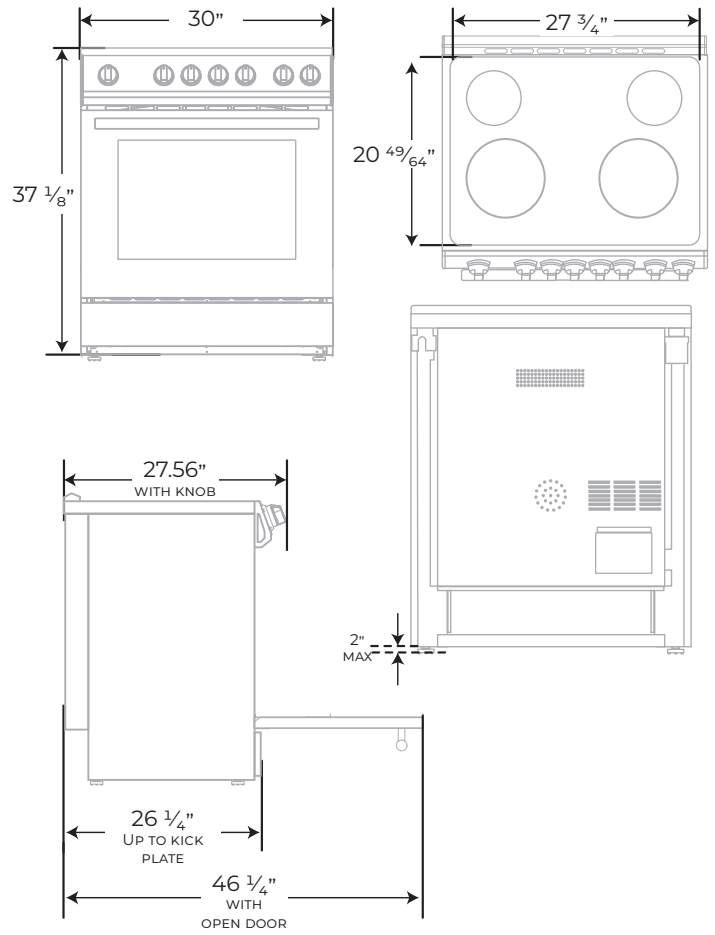


Stainless steel knob



Antique brass knob

## PRODUCT DIMENSION



## CUTOUT DIMENSION:

