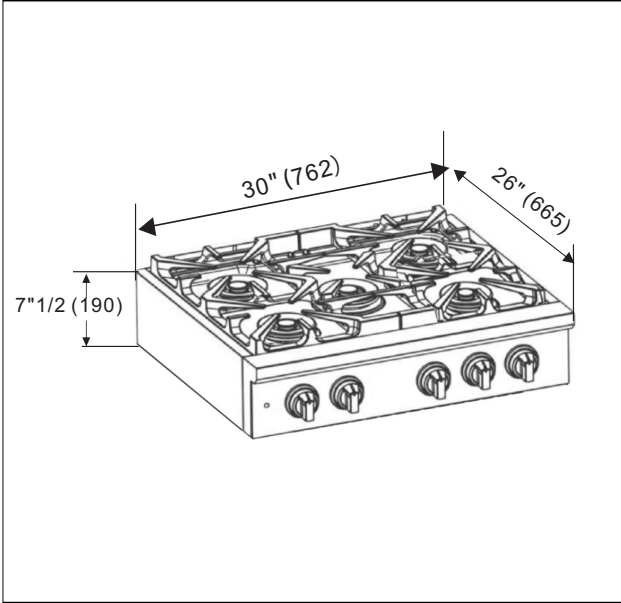
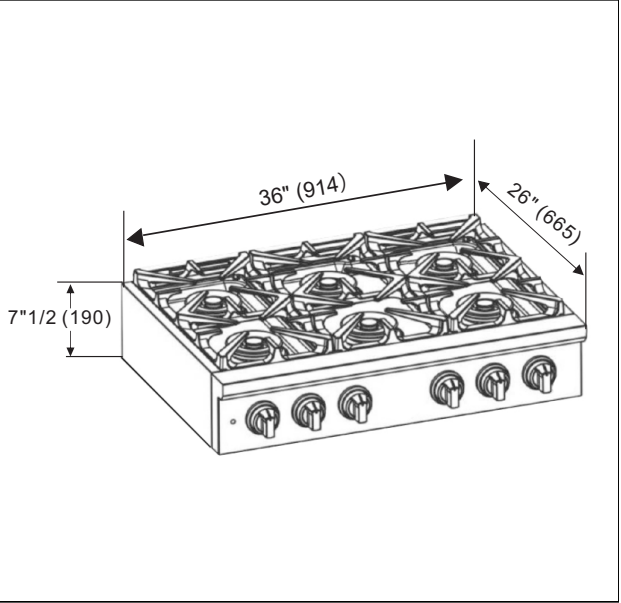


Product Dimensions and Cabinets

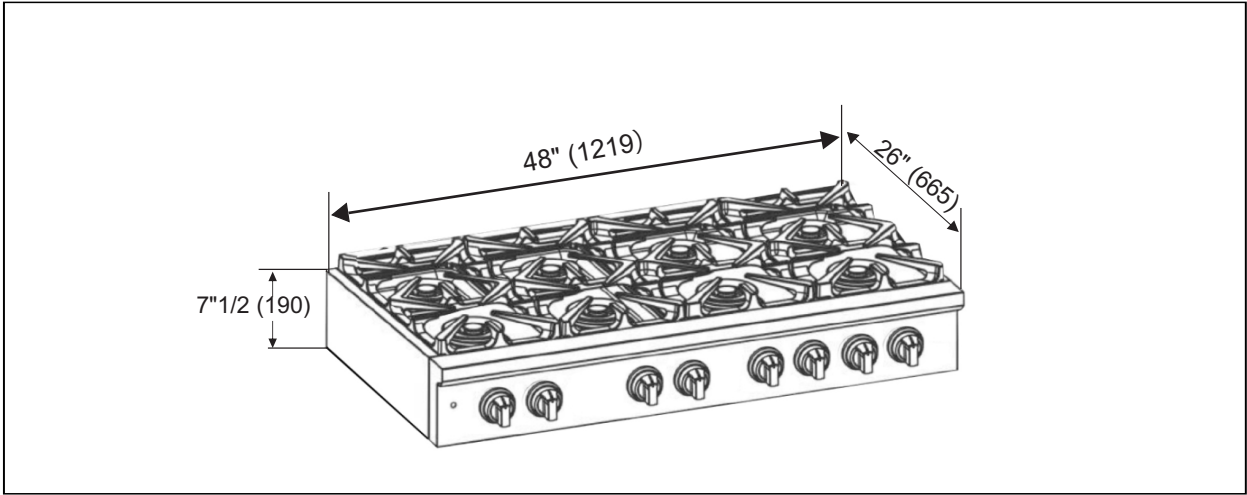
Model:
FCTGS5751-30



Model:
FCTGS5751-36

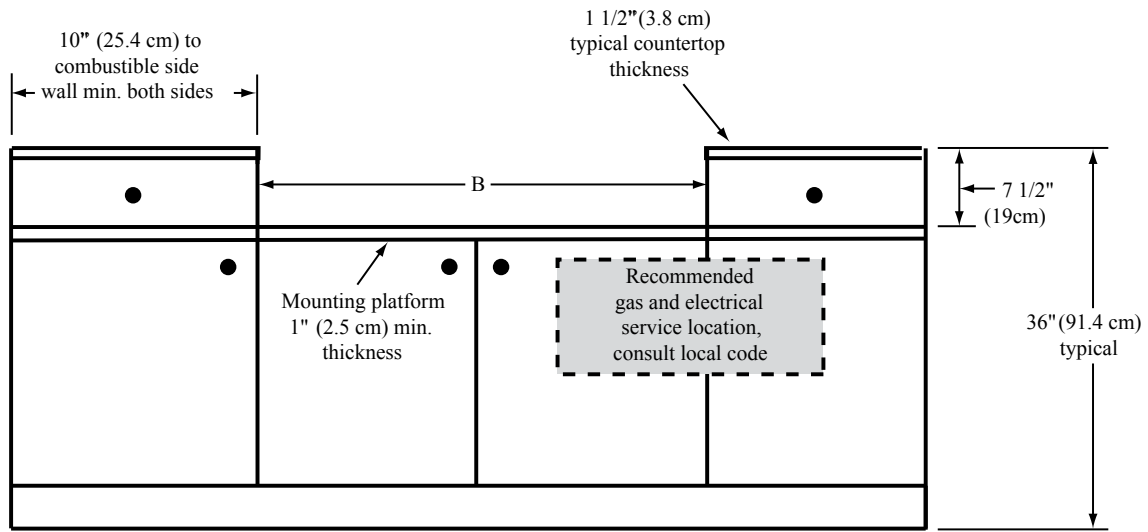


Model: FCTGS5751-48

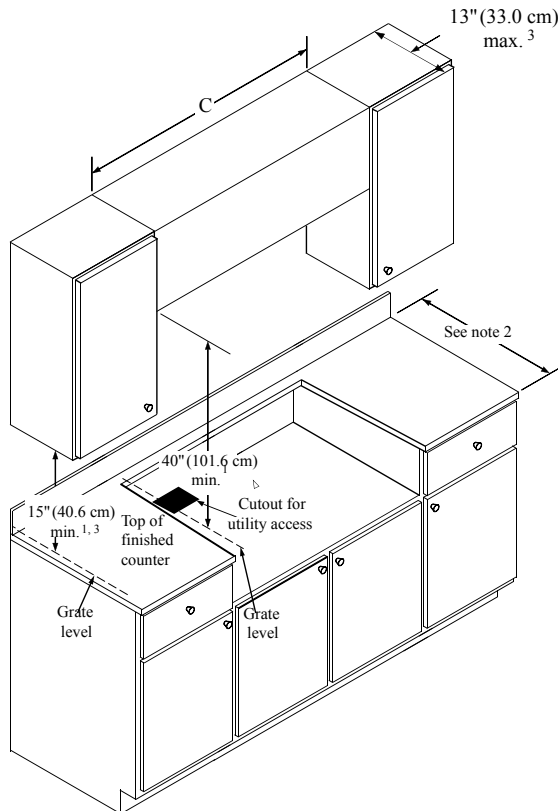


Dimensions and Clearances

Cabinet tolerances $\pm 1/16"$ (± 1.6 mm) unless otherwise noted.



Cabinet/Countertop Dimensions - Front View



Cabinet/Countertop Dimensions - ISO View

| Rangetop Model | B | C |
|----------------|----------------|---------------------------------------|
| FCTGS5751-30 | 30" (76.2 cm) | 30" (76.2 cm) * 36" (91.4 cm) ** |
| FCTGS5751-36 | 36" (91.4 cm) | 36" (91.4 cm) * 42" (106.7 cm) ** |
| FCTGS5751-48 | 48" (121.9 cm) | 48" (121.9 cm) * 54" (137.2 cm) ** |
| * Minimum | | ** Rec |

¹ Vertical to combustible surface from rangetop grate level; if installing an overhead vent hood, also check the hood specifications for minimum required clearances.

² See Cabinet/Countertop Dimensions - Top View

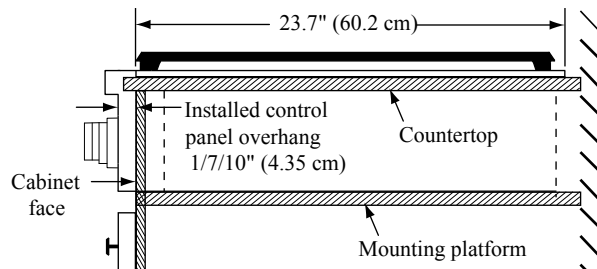
³ This specification not applicable for cabinets more than a horizontal distance of 10" (25.4 cm) from the cabine.



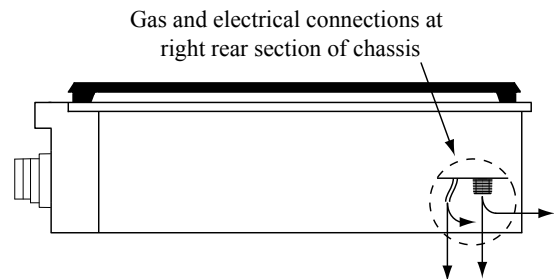
WARNING For reference only, please refer to the real object.

Cabinet/Countertop Dimensions (cont.)

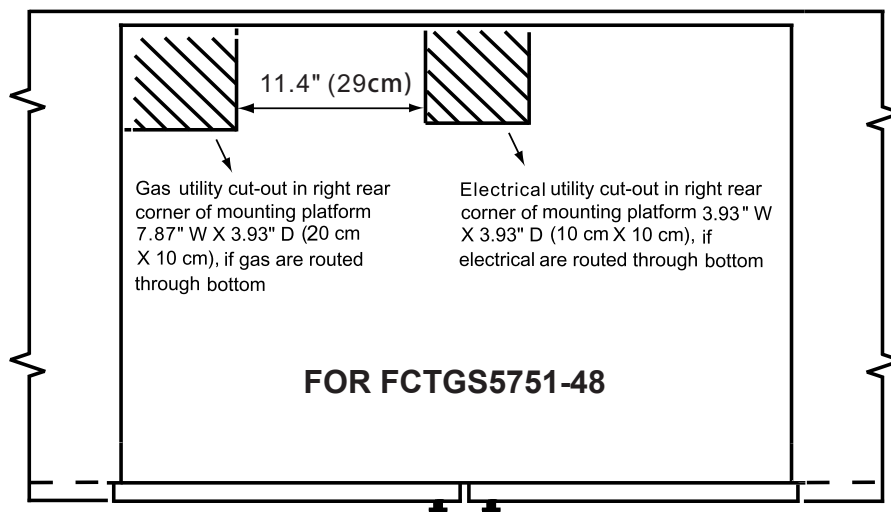
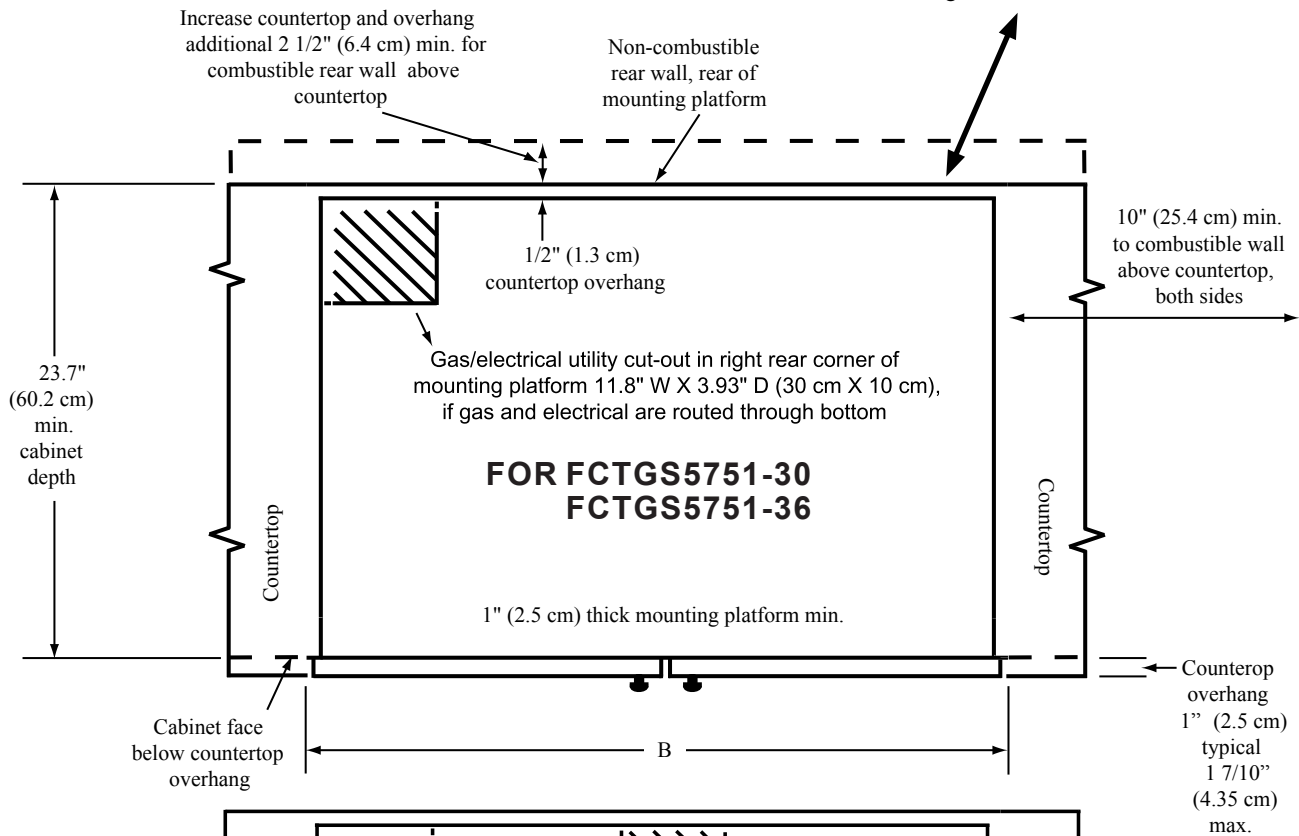
Cabinet tolerances $\pm 1/16"$ ($\pm 1.6\text{mm}$) unless otherwise noted.



Installed Rangetop - Side View



Gas connection and power cord may be routed through bottom or back of chassis



IMPORTANT: Use only the downdraft vent models specified.

⚠ WARNING For reference only, please refer to the real object.