



INSTRUCTION MANUAL

Model# COB10001
Propane Fire Pit



IMPORTANT, RETAIN FOR FUTURE REFERENCE: READ CAREFULLY

DO NOT RETURN THIS FOUNTAIN TO THE STORE

PLEASE READ THE FOLLOWING FIRST

CUSTOMER SUPPORT CENTER

Thank you for purchasing your new fountain.

Carefully check all packaging materials before discarding.

Do not assemble if there are missing pieces.

Should you encounter problems after following all the steps herein contained please contact our

Customer Support: Call 1-888-227-3340 or email: customerservice@DekoLiving.com

Kindly provide the model #, place and date of purchase and a short description of the problem.

LIMITED WARRANTY

This product has a Three month's Limited Warranty. This warranty is limited to the replacement of defective parts only. Labor charges and/or damage incurred during installation, repair, replacement as well as incidental and consequential damages connected with the above are excluded. Any damage to this product as a result of neglect, misuse, accident, improper installation or use other than the purpose SHALL VOID THIS WARRANTY.

USE AND CARE GUIDE

READ BEFORE USE!



Intertek
5010198

Design Complies with ANSI Z21.97-2017 • CSA 2.41-(2017)
Outdoor Decorative Gas Fireplaces.

WARNING

USE PROPANE GAS ONLY!

-Do not store or use gasoline or other flammable vapors in the vicinity of this or any other appliance.

- Service must be performed by a qualified installer.

WARNING

For use with cylinders marked PROPANE only. DO not connect to a remote gas supply.

If the firepit is stored indoors, detach and leave propane cylinder outdoors.

WARNING

For Outdoor Use Only! Use Propane Gas Only!
Propane cylinders sold separately.

WARNING

Improper installation, adjustment, alteration, service or maintenance can cause injury or property damage. Read the owner's manual thoroughly before installing or servicing this equipment. If information in this manual is not followed exactly, a fire or explosion may result causing property damage, personal injury or loss of life.

DANGER

If you smell gas:

1. Shut off gas to the appliance.
2. Extinguish any open flame.
3. If odor continues, keep away from the appliance and immediately call your gas supplier or fire department.

WARNING

This fire pit must be attended at all times!

WARNING

A liquid propane cylinder not connected for use shall not be stored in the vicinity of this or any other appliance.

WARNING

The propane cylinder must be disconnected when this fire pit is not use.

 **DANGER**



CARBON MONOXIDE HAZARD

This appliance can produce carbon monoxide which has no odor.

Using it in an enclosed space can kill you.

Never use this appliance in an enclosed space such as a camper, tent, car or home.

SAFETY INFORMATION

Please read and understand this entire manual before attempting to assemble, operate or install the product. Failure to follow the dangers, warnings and cautions contained in this owners manual may result in a fire or explosion causing damage to property, serious bodily injury or death.

WARNING

- The installation of this product must conform with local codes or, in the absence of local codes, with either the National Fuel Gas Code, ANSI Z223.1/NFPA 54, OR CAN/CGA-B149.1, National Gas and Propane Installation Code.
 - FOR OUTDOOR USE ONLY! This appliance shall be used only outdoors in a well-ventilated space and shall not be used in a building, garage, or any other enclosed area.
 - USE PROPANE GAS ONLY!
 - Use only with a propane gas tank (sold separately). Do not attach to a remote gas supply.
 - Propane gas is not natural gas. Only use propane gas for this fire pit.
 - The conversion or attempted use of natural gas in a propane unit or propane gas in a natural gas unit is dangerous and not recommended. Doing so will void your warranty.
 - Never use charcoal or any other solid fuel in the fire pit.
 - During ignition procedure, never get your face close to the burner as an unnoticed flame may light up and cause injury.
 - LIQUID PROPANE GAS WARNING: Do not exceed 1/4 in. depth of lava rocks directly above burner holes. Applying too much media may result in unburned gas pooling in fire pit. Ventilation is required to allow fresh air into enclosure and for any residual gas to escape.
 - If you see, smell or hear the hiss of escaping gas from the propane gas tank: 1. Disconnect propane gas tank. 2. Do not attempt to correct the problem yourself. 3. Get to your gas supplier and/or the fire department for help.
 - Do not operate the fire pit if there is a gas leak present.
 - Never use a flame to check for gas leaks.
 - The max. inlet supply pressure: max. gas supply 11 inch w.c. (2.74kPa).
 - The gas pressure regulator provided with the fire pit must be used.
 - Use liquid propane gas tanks only with these required measurements: 12 in. (diameter) x 18 in. (tall) with 20 lb. capacity maximum.
 - Propane tank used must include a collar to protect the propane gas tank valve.
 - Never fill the propane gas tank beyond 80% full.
 - Propane gas tank supply system must be arranged for vapor withdrawal.
 - Do not use a propane gas tank with a damaged valve and any other worn out parts. A dented or rusty propane gas tank may be hazardous and should be checked by your gas supplier prior to use.
 - Do not burn any other materials than are supplied with and intended for use in this fire pit.
 - Lava rocks could hit somebody's face or eyes during initial start of this unit, so please keep away from the fire pit for the first 20 minutes after it has been ignited.
 - Do not operate fire pit unless it is completely assembled and all parts are in place.
 - Pay attention when operating the fire pit. It is hot when in use and should never be left unattended. Do not move it while in operation.
 - Do not use this fire pit for cooking.
 - Do not put any other fireplace cover or anything flammable on, beneath or around the fire pit.
 - Users should be alerted to the hazards of high surface temperatures and keep a safe distance to avoid burning or clothing ignition.
 - Do not sit on the fire pit. Do not rest feet or hands on the fire pit.
 - Never lean over the open fire pit or place hands or fingers on the upper portion of an operational unit.
 - Keep any electrical supply cords and the fuel supply hose away from any heated surfaces.
 - Combustible materials should never be within 72 inches of the top, 48 inches of the back or sides of the fire pit.
 - This fire pit must be attended at all times!
 - Should the fire go out while burning, turn the gas valve off. Follow the instructions and wait five minutes before attempting to relight.
 - Do not use this fire pit if any part has been under water.
 - Do not pour water into fire pit.
 - Immediately call a qualified service technician to inspect the appliance and to replace any part of the control system and any gas control which has been under water.
 - Do not light or use gas unit if lava rocks are wet. Ensure lava rocks are completely dry before igniting as intense heat could cause the rocks to crack or pop.
 - Do not attempt to disconnect the gas regulator or any gas fittings while your fire pit is in operation.
 - Do not handle fire pit until it is shut off and completely cooled.
 - The propane gas tank must be disconnected when fire pit is not in use.
 - Do not store a spare or disconnected propane gas tank under or near this fire pit, or in the vicinity of any other appliance.
 - If the fire pit is stored indoors, detach and leave propane gas tank outdoors.
 - Remove the battery when not using the fire pit for an extended length of time.
 - Clean the battery contacts and also those of the device prior to battery installation.
 - Do not enlarge valve openings or burner ports when cleaning the valve or burner.
- Do not use this fire pit on vehicles or boats. Always operate the appliance on flat ground outdoors.

- Remove the PU cover from the fire pit before operating the appliance.
- Do not lay the PU cover over the fire pit until it is turned off and completely cooled down.
- After a period of storage and/or non-use, the propane fire pit should be checked for gas leaks and burner obstructions before use.
- The propane fire pit should never be used by children. Children must be supervised when they are anywhere near the appliance.
- Please keep gas tank a minimum of 5 feet away from fire pit when lit.
- The maximum gas supply pressure is 250psi.
- Clothing or other flammable materials should not be hung from the appliance, or placed on or near the appliance.
- Any guard or other protective device removed for servicing the appliance must be replaced prior to operating the appliance.
- All installation and repair should be done by a qualified service person. This appliance should be inspected annually. More frequent cleaning may be required as necessary. It is imperative that the control compartment, burners and circulating air passageways of the appliance be kept clean.
- Inspect the burner before each use of this fire pit. If there is evidence of damage, the burner must be replaced prior to use of this fire pit.
- Inspect the hose before each use of this fire pit. If the hose shows signs of cracks, abrasion, cuts or damage, do not use this fire pit. Fix the hose as required before using appliance.
- Remove the hose out of pathways where it may be tripped over or subject to accidental damage.
- Children and adults should be alerted to the hazards of high surface temperatures and should stay away to avoid burns or clothing ignition.
- Young children should be carefully supervised when they are in the area of this appliance.
- The LP gas supply tank must be constructed and marked in accordance with the specifications for LP gas tanks of the U.S. Department of Transportation (DOT) or the National Standard of Canada CAN/CSA-B339, LP gas tanks, spheres and tubes for the Transportation of Dangerous Goods; and Commission.
- The LP gas tank must have a listed overfilling prevention device (OPD) and a QCCI or Type I, (CGA810) LP gas tank connection.

Inspect the hose before each use of the appliance. If the hose shows signs of cracks, abrasions, cuts or damage of any kind, do not operate the appliance. Fix or replace the hose as required before using the appliance. Use only replacement parts from the manufacturer.

WARNING !

- ▶ Do not light or use gas unit if lava rocks are wet. Ensure lava rocks are completely dry before igniting as intense heat could cause the rocks to crack.
- ▶ Lava rocks could hit someone's face or eyes during initial start of this unit, so please keep away from the fire pit for the first 20 minutes after it has been ignited.
- ▶ LIQUID PROPANE GAS WARNING: Do not exceed 1/4" depth of fire glass or small lava rocks directly above burner holes. Applying too many lava rocks/fire glass may result in unburned gas pooling in fire pit. Ventilation is required to allow fresh air into enclosure and any residual gas to escape.
- ▶ This heating item should not be used on plastic composite or artificial wood decks.

Warranty and Installation Information:

The warranty will be voided by and we disclaim any responsibility for the following actions:

- ▶ Modification of the fire pit and/or components including the gas valve assembly.
- ▶ Use of any component part not manufactured approved.
- ▶ Use and installation other than as instructed in this manual.

Canadian Standards Association certified to “ANSI Z21.97-2017/CSA 2.41-2017, Outdoor Decorative Gas Appliances”

INPUT : 50,000 Btu/hr High

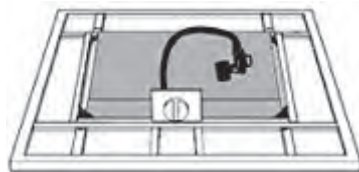
Propane Regulator Pressure: 11 inches water column

Maximum Inlet Gas Supply Pressure: 250 psi

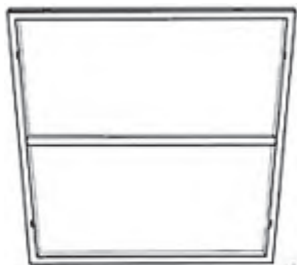
Clearances to combustible surfaces: Sides 24 inches Top 48 inches

Accessories

ITEM	DESCRIPTION	QTY
A	Lava rocks	2 BOXES
B	Back panel	1
C	Door panel	1
D	Tank holder	1
E	Left side	1
F	Right side	1
G	Short Screw	4
H	Long screw with washer	12
I	Top plate	1
J	PU Cover	1
K	Top burner	1



K1



B1



J1



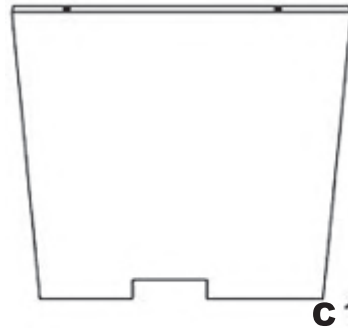
E1



F1



D1



C1



H12



G4



A1



I1

ASSEMBLY INSTRUCTIONS

Please keep this owner's manual for future reference.

Open the box and inspect the top of the firepit, open the flaps all the way then flip the box over on top of the protective sheet.

STEP1.

Pull off the carton leaving the top in place.
Hint: Don't tighten the screws until completely finished.

STEP2.

Mount the two sides with the short screws. Be sure to mount on either side of the control knob. Part E on control knob left side, part F (with window) on the right side.

STEP3.

Mount the back panel using 4 long screws with washers.

STEP4.

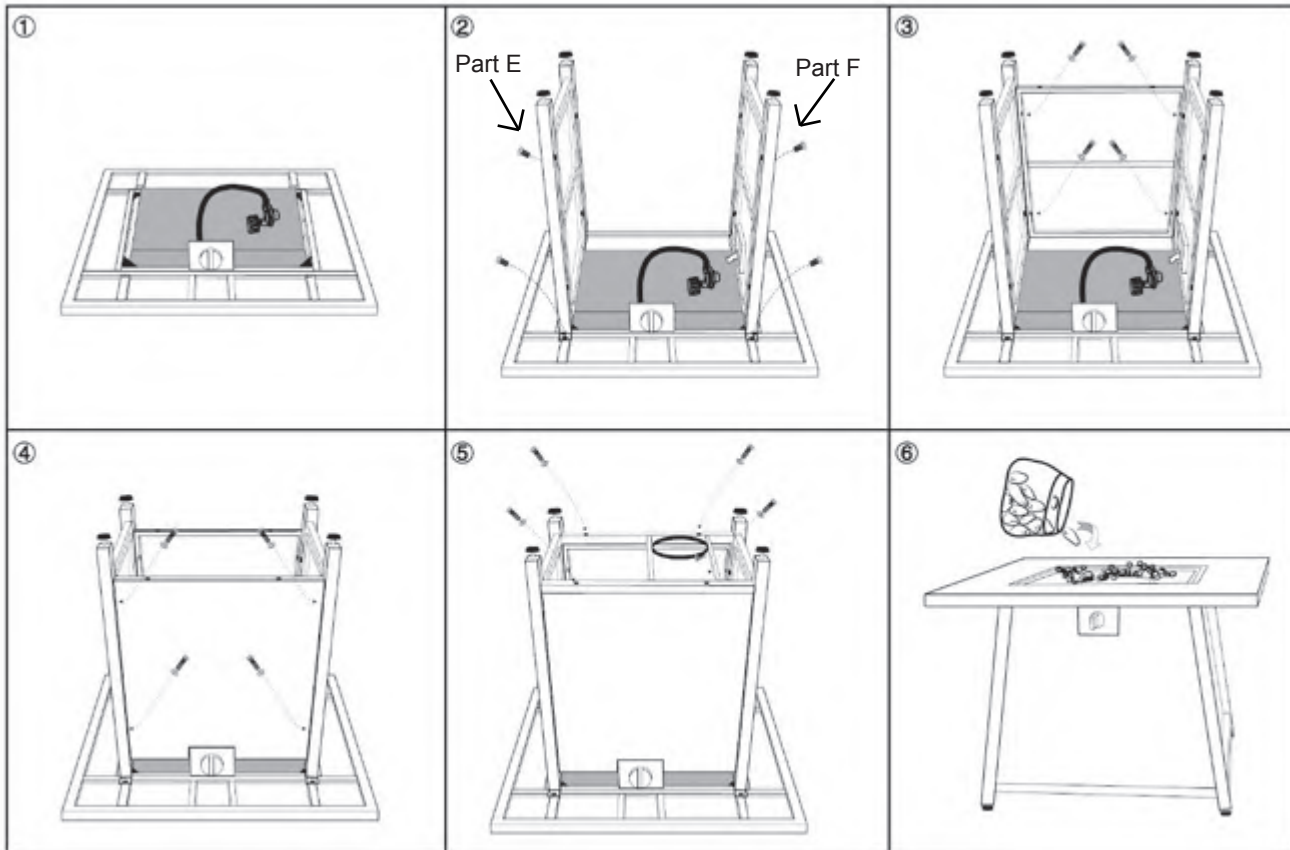
Mount the door panel using 4 long screws with washers.

STEP5.

Mount the tank holder with the round part closest to the door using 4 long screws with washers.

STEP6.

Using 2 people flip the firepit over and put the rocks in place.



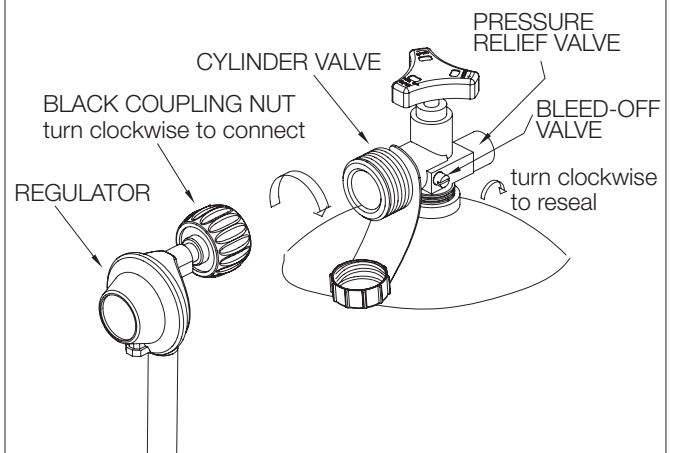
INSTALLATION OF THE TANK:




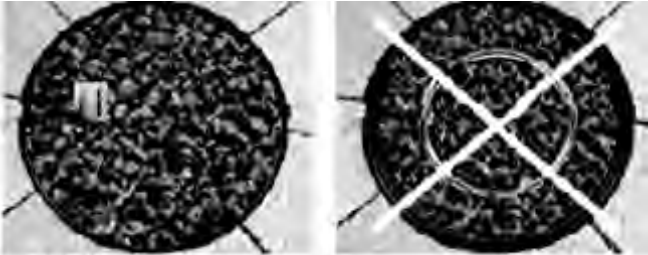
Connect the Pressure-Regulating valve to the gas tank. see **Figure E**.

- 1- Turn the cylinder valve clockwise to the gas supply on the gas tank.
- 2- Screw regulator Coupling clockwise by hand Only. Make sure it is fastened.

Figure E



See WARNING and Figures:

<p>▲ WARNING</p>	<p>SCREEN </p>
<p>This screen must be clear and free of obstructions at all times to insure proper operation.</p>	<p>DO NOT PLACE LAVA ROCK ON THE SCREEN. KEEP SCREEN CLEAR.</p>
<p>▲ WARNING</p> <p>The burner of the firepit must be covered by lava rocks completely. Otherwise the flame may be extinguished. See the Figure for the CORRECT and INCORRECT ways for reference.</p>	 <p>CORRECT INCORRECT</p>

OPERATION

Before performing a leak test, be sure that no sparks can occur and you are in a spacious outdoor area. Connect the propane gas tank to the regulator and turn the valve on the unit to the “off” position. Brush a soap and water mixture on all connections. Turn the gas supply on; if bubbles occur on any connection there may be a leak. **If you smell gas or a leak is discovered turn the gas valve off, disconnect propane gas tank and do not use the appliance until the leak is repaired.**

Do not use the heating unit without inspecting the gas hose. If there are signs of wear or abrasion you must replace the hose (if applicable). Pumice stones/lava rocks/LavaGlass could pop up and strike somebody’s face during the process of lighting this unit; stand away from the unit for the first 20 minutes after igniting. Flame height should be a yellow/blue color between 2 - 10 inches in height.

Wait 50 minutes after extinguishing flame prior to placing a lid (if applicable) or protective cover on heating item.

To Light

1. Make sure the control knob (M) is in the "OFF" position.
2. Open the door (C) and slowly open the valve on the propane gas tank by turning the knob counterclockwise.
3. Close the door (C) on the body.
4. Push the ignition control knob in fully and rotate about 1/4 turn counterclockwise until a click is heard, it may take several attempts to light the burner. Once lit, keep holding down the control knob for 15 seconds.
5. If ignition doesn't occur within a few seconds, release the control knob (M) and rotate to the "OFF" position. Wait for 5 minutes for gas to clear and then repeat the above lighting instructions.
6. To adjust the flame, turn the control knob (M) either clockwise or counterclockwise depending on whether you want to lower or raise the flame.



TO EXTINGUISH

1. Turn control knob (M) clockwise to the "HIGH" position; push and continue turning the control knob (M) to the "OFF" position.
2. Close the cylinder valve on the propane gas tank if you don't intend to use it for a long time.



ROUTINE CARE

- Keep your fire pit free and clear from combustible materials.
- Visually inspect burner from obstructions and keep fire pit free and clear from debris.
- After the burner and lava rocks are completely cooled down, use a soft brush to get rid of the mild stains, loose dirt and soil.
- Wipe with a soft cloth.

STUBBORN STAINS

- Stubborn stains, discoloration and rust pitting can occur from exposure to harsh outdoor conditions.
- Be careful not let any powder or solvent come in contact with painted or plastic components as damage may occur.

MAINTENANCE

- Store the fire pit in a cool dry place away from direct sunlight.
- The propane cylinder must be disconnected and removed from the fire pit before the appliance can be stored indoors.
- Make sure both the gas and the fire pit are turned off before changing battery. Please refer to the process of assembling battery.

Use Manufacturer approved or supplied replacement parts and accessories only. Otherwise this may void the warranty of this product and result in a hazardous condition

Please contact the Manufacturer for information regarding replacement hoses, thermocouples, ignition, lava rocks, etc.