



Alta Qualita

Dishwasher

Use & Care Manual

MODEL: WQP12-6502

(FDWBI8067-24S)



Table of Contents

Customer Care-----	2
Warranty-----	3-4
Important Safety Instructions-----	5
Features of your new dishwasher-----	6-9
Operating Instructions-----	10-14
Preparing and loading dishes-----	15-17
Care & cleaning-----	18-20
Troubleshooting-----	21-22

Customer Care

Thank you for purchasing a **FORNO** product. Please read the entire instruction manual before operating your new appliance for the first time. Whether you are an occasional user or an expert, it will be beneficial to familiarize yourself with the safety practices, features, operation and care recommendations of your appliance.

Both the model and serial number are listed inside the product. For warranty purposes and establish warranty period, you will also need the serial number, the date of purchase & a copy of your proof of purchase.

Record this information below for future reference.

SERVICE INFORMATION

Use these number in any correspondence or service calls concerning your product.

Model Number

If you received a damaged product, immediately contact **FORNO**.

Serial Number

Save time and money. Before you call for service, check the Troubleshooting Guide. It lists the causes of minor operating problems that you can correct yourself.

Date of Purchase

Purchase Address & Phone

SERVICE IN CANADA & UNITED STATES

Keep the instruction manual handy to answer your questions. You can also find all the information you need online at www.forno.ca.

If you don't understand something or need more assistance, please visit our website or email: info@forno.ca

If there is a problem, please contact FORNO customer service. Please note that troubleshooting with a customer service representative will be needed before being able to send a service provider. All warranty work needs to be authorized by FORNO customer service. All our authorized service providers are carefully selected and rigorously trained by us.

Warranty

What this limited warranty covers:

The Warranty coverage provided by Forno Appliances in this statement applies exclusively to the original Forno appliance ("Product") sold to the consumer ("Purchaser") by an authorized Forno dealer/distributor/retailer, purchased and installed in the United States or Canada, and which has always remained within the original country of purchase (the United States or Canada). Warranty coverage is activated on the date of the Product's original retail purchase and has a duration of two (2) years.

Warranty coverage is non-transferable. In the event of replacement of parts or of the entire product, the replacement Product (or parts) shall assume the remaining original Warranty activated with the original retail purchase document. This Warranty shall not be extended with respect to such replacement. Forno Appliances will repair or replace any component/part which fails or proves defective due to materials and/or workmanship within 2 years of the date of the original retail purchase and under conditions of ordinary residential, non-commercial use. Repair or replacement will be free of charge, including labor at standard rates and shipping expenses. Purchaser is responsible for making the Product reasonably accessible for service. Repair service must be performed by a Forno Authorized Service company during normal working hours.

IMPORTANT

Retain proof of original purchase to establish warranty period. Forno's liability on any claim of any kind, with respect to the goods and/or services provided, shall in no event exceed the value of the goods or service or part there of which has given rise to the claim.

30-Day Cosmetic Warranty

The Purchaser must inspect the product at the time of delivery. Forno warrants that the Product is free from manufacturing defects in materials and workmanship for a period of thirty (30) days from date of the original retail purchase of the Product.

This coverage includes:

- Paint blemishes
- Chips
- Macroscopic finish defects

Cosmetic warranty does NOT cover:

- > issues resulting from incorrect transport, handling and/or installation (e.g.: dents, broken, warped or deformed structures or components, cracked or otherwise damaged glass components);
- > slight color variations on painted/enamelled components;
- > differences caused by natural or artificial lighting, location or other analogous factors;
- > stains/corrosion/discoloration caused by external substances and/or environmental factors;
- > labor costs, display, floor, B-stock, out- of-box, "as is" appliances and demo units.

How to receive service

To receive warranty services, the Purchaser must contact the Forno Support department in order to determine the problem and the required service procedures. Troubleshooting with a customer service representative will be necessary before moving forward with the service. Model number, serial number and date of original retail purchase will be requested.

Warranty Exclusions: What Is Not Covered

- > Use of the Product in any non-residential, commercial application.
- > Use of the Product for anything other than its intended purpose.
- > Repair services provided by anyone other than a Forno Authorized Service agency.
- > Damages or repair services to correct services provided by unauthorized parties or the use of unauthorized parts.
- > Installation not in accordance with local/state/city/county fire codes, electrical codes, gas codes, plumbing codes, building codes, laws or regulations.
- > Defects or damage due to improper storage of the Product.
- > Defects, damage or missing parts on products sold out of the original factory packaging or from displays.
- > Service calls or repairs to correct an incorrect installation of the Product and/or related accessories.
- > Replacement of parts/service calls to connect, convert or otherwise repair the electrical wiring and/or gas line in order to properly use the product.
- > Replacement of parts/service calls to provide instructions and information on the use of the Product.
- > Replacement of parts/service calls to correct issues arising from the product being used in a manner other than what is normal and customary for residential use.
- > Replacement of parts/service calls due to wear and tear of components such as seals, knobs, pan supports, shelving, cutlery baskets, buttons, touch displays, scratched or broken ceramic-glass tops.
- > Replacement of parts/service calls for lack of/improper maintenance, including but not limited to: build up of residues, stains, scratches, discoloration, corrosion.
- > Defects and damages arising from accidents, alteration, misuse, abuse or improper installation.
- > Defects and damages arising from Product transport, logistics and handling. Inspection of the product must be made at time of delivery. Following receipt and inspection, the selling dealer/delivery company must be notified of any issues arising from handling, transport and logistics.
- > Defects and damages arising from external forces beyond the control of Forno Appliances, including but not limited to wind, rain, sand, fires, floods, mudslides, freezing temperatures, excessive moisture or extended exposure to humidity, power surges, lightning, structural failures surrounding the appliance and other acts of God.
- > Products whose serial number has been altered/damaged/tampered with. In no case shall Forno be held liable or responsible for damage to surrounding property, including furniture, cabinetry, flooring, panels, and other structures surrounding the Product. Forno is neither liable nor responsible for the Product if it is located in a remote area or an area where certified trained technicians are not reasonably available. Purchaser must bear any transportation and delivery costs of the Product to the nearest Authorized Service Center or the additional travel expenses of a certified trained technician

THERE ARE NO EXPRESS WARRANTIES OTHER THAN THOSE LISTED AND DESCRIBED ABOVE, AND NO WARRANTIES, EITHER EXPRESS OR IMPLIED, INCLUDING, BUT NOT LIMITED TO, ANY IMPLIED WARRANTIES OF MERCHANTABILITY OR FITNESS FOR A PARTICULAR PURPOSE THAT SHALL APPLY AFTER THE EXPRESS WARRANTY PERIODS STATED ABOVE, AND NO OTHER EXPRESS WARRANTY OR GUARANTEE GIVEN BY ANY PERSON, FIRM OR CORPORATION WITH RESPECT TO THIS PRODUCT SHALL BE BINDING ON FORNO. FORNO SHALL NOT BE LIABLE FOR LOSS OF REVENUE OR PROFITS, FAILURE TO REALIZE SAVINGS OR OTHER BENEFITS, TIME AWAY FROM WORK, MEALS, LOSS OF FOOD OR BEVERAGES, TRAVELING OR HOTEL EXPENSES, EXPENSES TO RENT OR PURCHASE APPLIANCES, REMODELING/CONSTRUCTION EXPENSES IN EXCESS OF DIRECT DAMAGES WHICH ARE UNDENIABLY CAUSED EXCLUSIVELY BY FORNO OR ANY OTHER SPECIAL, INCIDENTAL OR CONSEQUENTIAL DAMAGES CAUSED BY THE USE, MISUSE OR INABILITY TO USE THIS PRODUCT, REGARDLESS OF THE LEGAL THEORY ON WHICH THE CLAIM IS BASED, AND EVEN IF FORNO HAS BEEN ADVISED OF THE POSSIBILITY OF SUCH DAMAGES. NOR SHALL RECOVERY OF ANY KIND AGAINST FORNO BE GREATER IN AMOUNT THAN THE PURCHASE PRICE OF THE PRODUCT SOLD BY FORNO AND CAUSING THE ALLEGED DAMAGE. WITHOUT PREJUDICE TO THE FOREGOING, PURCHASER ASSUMES ALL RISK AND LIABILITY FOR LOSS, DAMAGE OR INJURY TO PURCHASER AND PURCHASER'S PROPERTY AND TO OTHERS AND THEIR PROPERTY ARISING FROM THE USE, MISUSE, OR INABILITY TO USE THIS PRODUCT SOLD BY FORNO THAT IS NOT A DIRECT RESULT OF NEGLIGENCE ON THE PART OF FORNO THIS LIMITED WARRANTY SHALL NOT EXTEND TO ANYONE OTHER THAN THE ORIGINAL PURCHASER OF THIS PRODUCT, IS NON-TRANSFERABLE, AND STATES YOUR EXCLUSIVE REMEDY.

Important safety instruction



WARNING: This product can expose you to chemicals including [Lead, Lead and lead compounds, Bisphenol A], which is [are] known to the State of California to cause cancer and birth defects or other reproductive harm.

For more information go to www.P65Warnings.ca.gov.

WARNING

For your safety, the information in this manual must be followed to minimize the risk of fire or explosion, electric shock, and to prevent property damage, personal injury.

Proper installation

Please install your dishwasher properly follow the installation guide.

- Water supply temperature should be 120°F or 149°F.
- Dispose of the discarded appliance and packing material properly.
- The dishwasher must be grounded, or it can result in a risk of electric shock.
- If there is any damage of the Dishwasher, please contact to your Dealer, not to attempt to repair or replace any part by yourself.

Basic precaution before use

- Read all instructions before using the dishwasher.
- The manual does not cover every possible condition and situation that may occur.
- Use the dishwasher only for intended function as described in this manual.
- When loading items to be washed:
 - Load sharp items and knives so that they are not likely to damage the door seal and tub.
 - Load sharp items and knives with the handles up to reduce the risk of cut-type injury.
- Do not wash plastic items unless marked dishwasher safe or the equivalent, if not marked, check with manufacture for recommendation, items that are not dishwasher safe may melt and create a potential fire hazard.
- If the dishwasher drains into a food disposer, make sure disposer is completely empty before running dishwasher.
- Do not tamper with control.
- Do not operate your dishwasher unless all enclosure panels are in the properly place.
- Do not touch the heating element during or immediately after use, especially if the sanitize option has been selected.
- Do not let children abuse, sit or stand on door or racks of a dishwasher.
- Under certain conditions, hydrogen gas may be produced in a hot water system that has not been used for two weeks or more. Hydrogen gas is explosive. If the hot water system has not been used for such a period, before using dishwasher, turn on all hot water faucets and let water flow from each for several minutes. This will release any accumulated hydrogen gas. Hydrogen gas is flammable. Do not smoke or use an open flame during this time.
- Do not store or use combustible materials, gasoline or other flammable vapors and liquids in the vicinity of this or any other appliance.
- Use only detergents or rinse agents recommended for use in a dishwasher and keep them out of the reach of children.
- Keep young children and infants away from dishwasher when it is operating.
- Do not use the dishwasher if it has a damaged power line or plug, and do not plug the dishwasher into a damaged outlet, failure to observe these instructions may result in electrical shock.
- Remove the door to the washing compartment when removing an old dishwasher from service or discarding it.

Features of your new dishwasher

Specification

Capacity	14 place settings
Dimension	606 x 650 x 857 mm (W x D x H)
Weight	unpacked 94lb (42.3 kg)
Power Supply	120V,60Hz
Rated power usage	Wash motor 50W Heater 840W
Water Feed Pressure	20 ~ 120 psi (138 ~ 828kPa)



- | | |
|--------------------------|---------------------------------|
| 1 Top Spray Arm | 7 Rinse Aid Dispenser |
| 2 Cup Shelf | 8 Detergent Dispenser |
| 3 Upper Spray Arm | 9 Tub Gasket |
| 4 Lower Spray Arm | 10 Top Rack |
| 5 Bottom Rack | 11 Adjustable Upper Rack |
| 6 Heating Element | 12 Silverware Basket |

Features of your new dishwasher

Features

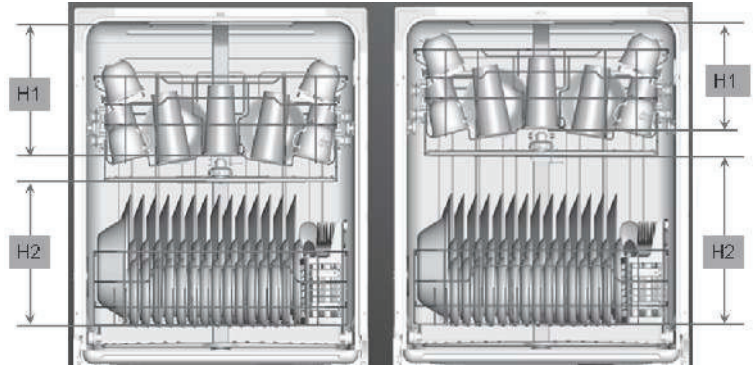
Filter System

Your dishwasher has a multiple Filter System. In the System there are four filter-meshes. It can separate soiled water and clean water in different chambers. The multiple filter system helps your dishwasher to get better performance with less water and less energy.



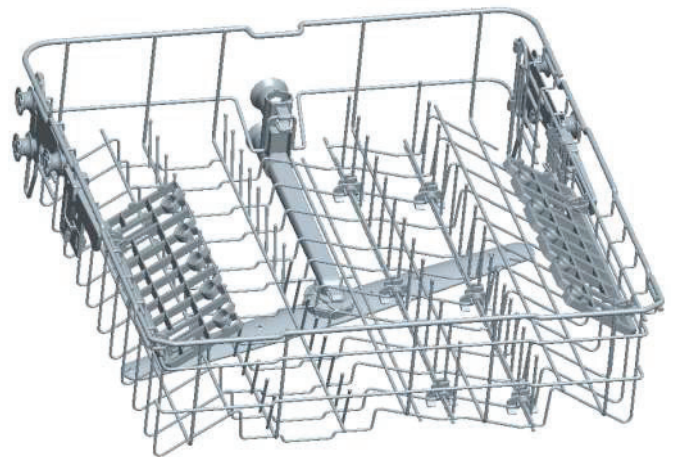
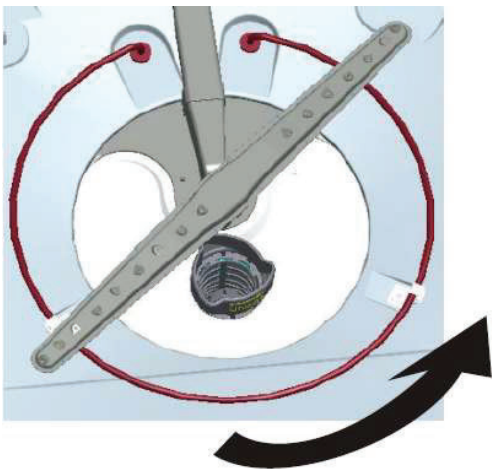
Adjustable Upper Rack

The Upper Rack can be raised or lowered to accommodate loading taller dishes in either rack. The Upper Rack clearance height H1 goes from 8" to 10". The Bottom Rack clearance height H2 is 11" to 13".



Smart Wash System

Your dishwasher has Smart Wash System. When a partial load of lightly soiled dishes is placed in the unit, a wash cycle similar to a short wash will automatically be performed. When a full load of heavily soiled dishes is placed in the unit, a heavy wash cycle will automatically be performed. It can determine the type of cycle required to clean the dishes and will clean more efficiently every time.



How your dishwasher cleans

Your dishwasher cleans by spraying a mixture of hot water and detergent through the spray arms against soiled surfaces.

The dishwasher fills with water covering the filter area. Water is then pumped through the multiple filter and spray arms. Separated soil particles go down the drain as the water is pumped out and replaced with clean water.

The number of water fills will vary with the cycle being used.

Getting Started

1. Load dishwasher (See preparing and loading dishes).
2. Add detergent (See Fill detergent to the dispenser).
3. Add rinse aid, if needed (See Fill rinse to dispenser).
4. Close door to latch.
5. Select desired CYCLE (See Cycle Chart). The indicator light above the pad will glow when selected.
6. Select desired OPTIONS (See Energy Options). The indicator light above the pad will glow when selected.
7. Run hot water faucet nearest dishwasher until water is hot. Turn water off.
8. To start, press Start/Cancel (See Start/Cancel) pad.

Your dishwasher has the front control panel. Your selections will only be activated when the door is firmly closed.

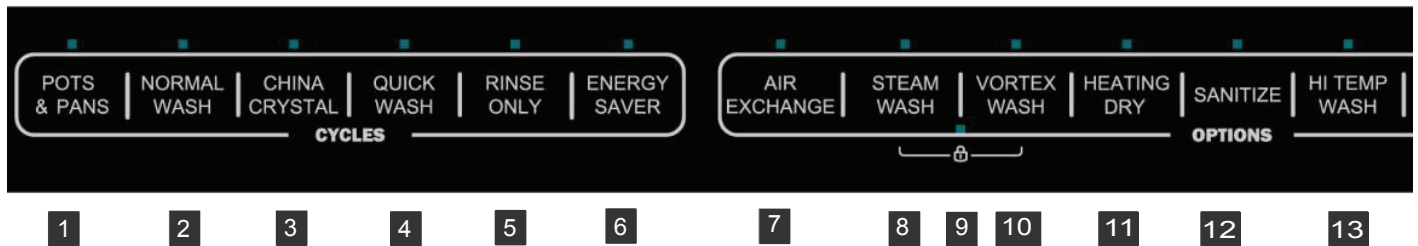
NOTE

The dishwasher is programmed to remember your last cycle so you do not have to reset each time. To start the dishwasher using the same cycle and options selected on the previous wash, just press the Start/Cancel pad.

Wash Cycle Selections

Cycle times are approximate and will vary with options selected. Hot water is necessary to activate dishwasher detergent and melt fatty food soils. An automatic sensor will check the incoming water temperature and if it is not hot enough, the timer will be delayed for automatic water heating in the main wash of all cycles. This happens even when HI-TEMPWASH is selected. An even higher temperature will be guaranteed to handle heavier soil loads.

Control panel



Wash Cycle Selections

1 Pots & PANS

This cycle is for hard-to-clean, heavily soiled dishes, pots, pans and dishes.

2 Normal wash

This cycle is for regularly soiled dinner dishes or silverware.

3 China crystal

This cycle is for lightly soiled china and crystal.

4 Quick wash

This cycle is for lightly soiled and pre-rinsed dishes and silverware.

5 Rinse only

This cycle is for pre-rinsing dishes or glasses. This is only a rinse that keeps food from drying on your dishes and reduces odor buildup in your dishwasher until you are ready to wash a full load. Do not use detergent.

6 ENERGY SAVER

For light soiled or pre-rinsed dishes and silverware.

7 Air exchange

Select the "Air exchange function, the dishwasher will exchange the air every 6 hours to keep the air in the dishwasher fresh.

8 Steam wash

For use with heavily soiled items, this STEAM option adds 30 minutes to the cycle time. The option is available with the cycles of "POTS & PANS" and "Normal wash".

9 Child lock

You can lock all controls to prevent children from accidentally changing the dishwasher cycle or starting the dishwasher.

Press the "Steam wash" and the "Vortex wash" simultaneously to select or cancel the function.

After the function is selected and the corresponding indicator light will turn on.

10 Vortex wash

Use this option when you want to wash pots and pans, durable serving bowls, and other large, very dirty, hard to clean dishes.

Use Vortex wash, place the dishes face down in the lower rack directly above the vortex wash arm in the back left corner.

11 Heated Dry

When the "Heated Dry" function is selected, the heater will work during the drying process.

12 Sanitize

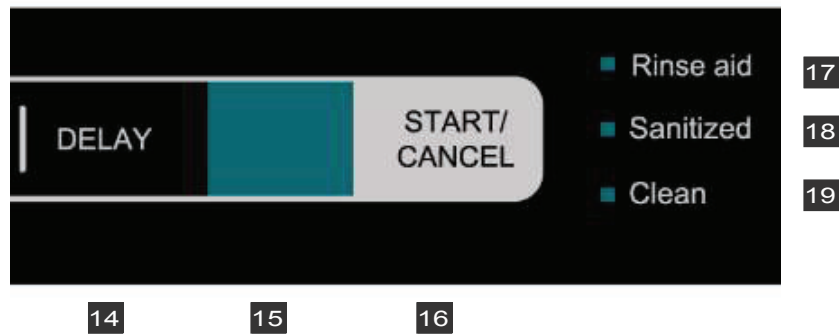
To sanitize your dishes and glassware, select the Sanitize option. When the "Sanitize" function is selected, the temperature of water will be maintained at 70 °C (158°F) max.

Note: It is possible that 70 °C (158°F) may not be reached, if the temperature of the incoming hot water does not reach the suggested temperature.

13 Hi Temp Wash

When the "Hi Temp wash" function is selected, the temperature of water will be maintained at 60 °C (140°F) max.

Operating dishwasher



16 Start/Cancel

This information covers several different models. Your dishwasher may not have all the cycles and options described.

This built-in dishwasher's function control and cycle selections will be void when dishwasher door is firmly closed. When setting up the dishwasher, please keep the dishwasher door open and select the wash cycle and options desired. The indicator light above the pad will turn on. To start, press the Start/Cancel key once and close the door firmly within 4 seconds after you select start. The indicator light will flickering and the wash cycle will begin after the door is closed. To cancel wash cycle once the dishwasher is running, carefully open the door slowly to access the controls and avoid water spill. Long press Start/Cancel for 8 second, the dishwasher will start a 60 second draining process to prevent water and moister trap inside the dishwasher. The dishwasher will be power off automatically when draining process is completed. You may then open the unit and/or start a new cycle.

When opening the door, use caution as there is a possibility of injury from hot steam coming out from the unit. If the door is opened while the dishwasher is running, a safety switch will stop the cycle.

You may add more dishes before the main wash starts.

14 Delay

To delay the start of a selected cycle, press Delay Start pad until the desired delay time shows in the LED display screen, it allows you to automatically start your dishwasher for 1 to 24 hours delay.

To cancel the Delay Start option and begin the cycle, before the delay period is over press the Start/Cancel pad.

15 Display window

To display the remained hours and minutes of the running cycle, delay hours and error codes etc.

17 Rinse aid indicator light

Turns on when the dishwasher needs to add Rinse aid.

18 Sanitized indicator light

If a cycle with the sanitize function is finished, the sanitized indicator light turns on.

If you open the door, it will turn off after 30 seconds.

18 Clean indicator light

Turns on after a cycle finished.

If you open the door, it will turn off after 30 seconds.

Cycle progress indicator

Located on ride side of the front of the dishwasher, these lights indicate how far along is the current wash cycle while the dishwasher is running.



1 WASH	When the dishwasher is in a wash or rinse portion of a cycle, the Wash lights are illuminated.
2 DRY	When the dishwasher is in a drying portion of a cycle, the Wash and Dry lights are illuminated.
3 CLEAN	After the dishwasher has completed all portions of a cycle, all indicator lights are illuminated. If you open the door when the Cleaning lights are illuminated, all the portion lights will turn off after 30seconds.

Operating dishwasher

Status Window

01-24

If the Delay Start option is selected, the number of delay start hours shows in the Status Window. If the dishwasher is working and the wash cycle time is more than a hour, number of hours and minutes left shows alternately in the Status Window.

CL

Flashes once the program has been entered and the Start/Cancel key is pressed. It also flashes if the door is opened during a wash cycle. Close the dishwasher door to begin or continue a wash cycle.

MINUTES

Number of minutes left in a cycle (0-59 or 1H-2H). It shows hours and minutes alternately.

NOTE

The time remaining could suddenly increase or drop several minutes. This means the Smart Sensor has checked the soil level and determined if additional water fills are needed or if water fills can be deleted.

Error indication

In certain situations which are critical to the machines function and safe operation, the control shall shut down and indicate an error code Er (See Error Codes on page 18).

If Er codes are displayed, contact the dealer or servicer. They will be able to provide assistance in trouble shooting the problem and or locate an authorized service technician if needed.

Cycle Chart

Program	Description of Cycle	Water (L)	Cycle time (min)
POTS & PANS	Pre Wash	26.2	138
	Pre Wash		
	Wash(55°C)		
	Rinse		
	Rinse		
	Rinse(65~69°C)		
	Drying		
NORMAL WASH	Pre Wash	11.4~22.5	102~120
	Auto(40~52°C)		
	Rinse(58~69°C)		
	Drying		
CHINA CRYSTAL	Pre Wash	22.5	114
	Pre Wash		
	Wash(50°C)		
	Rinse		
	Rinse		
	Rinse(62°C)		
QUICK WASH	Pre Wash(40°C)	15.1	60
	Wash(55°C)		
	Rinse(55°C)		
	Rinse(58~69°C)		
	Drying		
RINSE ONLY	Rinse Only	7.7	20
ENERGY SAVER	Pre Wash	18.8	134
	Pre Wash		
	Wash(45°C)		
	Rinse		
	Rinse(58°C)		
	Drying		

Adjustable Upper Rack

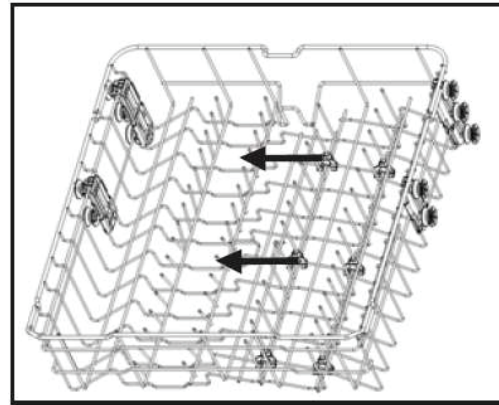
The upper rack height can be easily adjusted to accommodate loading taller dishes in either rack.

To accommodate taller dishes in the bottom rack, there are 2 positions available:

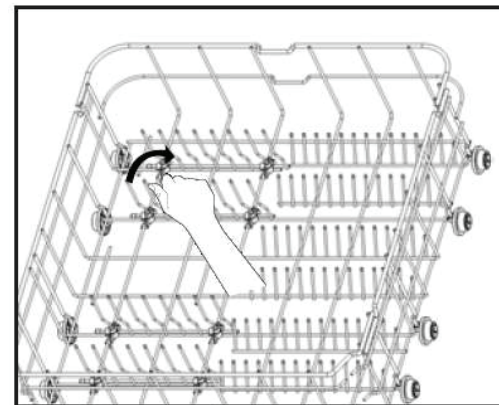
1. Lift the rack for upper position



The upper rack in the upper position



Upper rack



Lower rack

2. Up press the handle to lower the rack



The upper rack in the lower position



Dish Preparation

Scrape away large pieces of food, bones, pits, toothpicks, etc. The continuous filtered wash system will remove the remaining food particles. Burned-on foods should be loosened before loading. Empty liquids from glasses and cups.

Foods such as mustard, mayonnaise, vinegar, lemon juice and tomato based products may cause discoloration of stainless steel and plastics if allowed to sit for a long period of time. Unless the dishwasher is to be operated at once it's best to rinse off these food soils.

If the dishwasher drains into a food disposer, be sure disposer is completely empty before starting dishwasher.

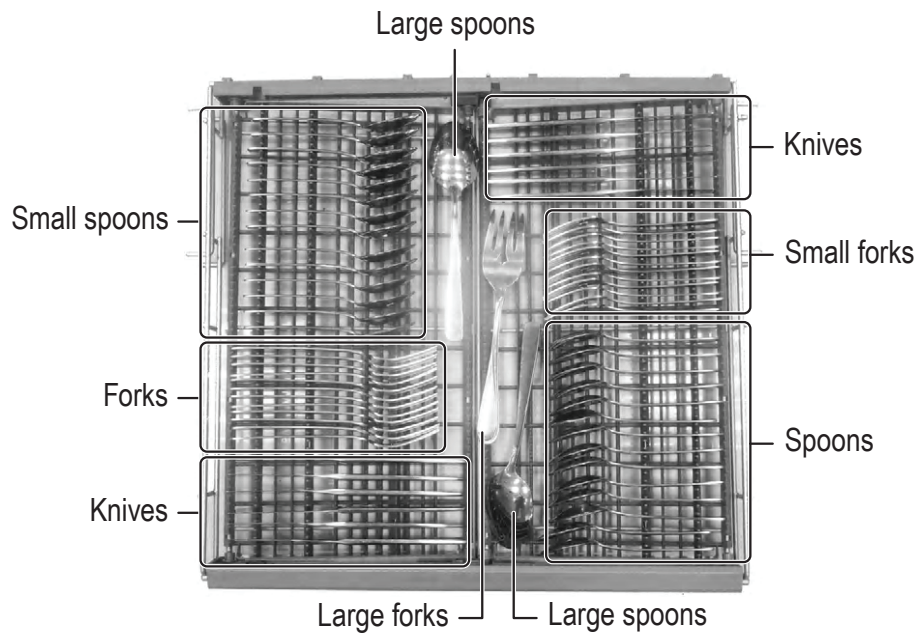


Note :

Height should be adjusted without dishes in the racks.

Loading the Top Rack

You can place the items in the top rack randomly or in an orderly fashion. The image below shows how to load the top rack for 14 place settings:



Loading the Upper Rack

The upper rack is designed for cups, glasses, small plates, bowls and plastic items marked safe etc.

For best results, place the bowls, cups, glasses, sauce pans with soiled surface facing down or toward the center. Tilt slightly for better drainage.



Make sure the loaded dishes do not interfere with the rotation of the middle spray arm, which is located at the bottom of the upper rack. (Check this by rotating the middle spray arm by hand.)

Loading the Bottom Rack

The bottom rack is designed to load plates, soup bowls, plates, saucers and cookware. The adjustable rack space will allow you to load maximum 13 inch items.



Large items should be placed along the edge so they do not interfere with the middle spray arm rotation, and make sure they not prevent the detergent dispenser from opening.

Large items should be turned so that the inside faces downward, and make sure these items do not interfere with the lower spray arm rotation.

The fold-down tines in the bottom rack make it easy to load those extra large and hard-to-fit items. The tines may be left up for normal use or folded down for more flexible loading. Fold down for more space to load large pots or pans.



Upper Rack 8 place settings



Upper Rack 12 place settings



Upper Rack 14 place settings



Bottom Rack 8 place settings



Bottom Rack 12 place settings



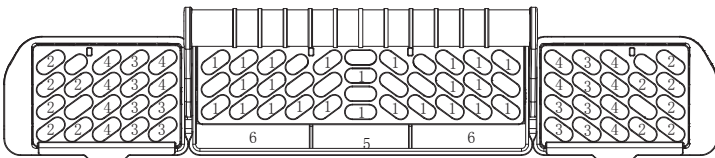
Bottom Rack 14 place settings

Preparing and loading dishes

Loading the Silverware Basket

The silverware basket could be divided into three separate modules that can be used in both upper and lower racks

1. Spoons
2. Knives
3. Salad forks
4. Forks
5. Large spoons
6. Large forks



! WARNING!

Do not let any item extend through bottom.



Be sure nothing protrudes through bottom of the basket or rack to block the lower spray arm.

Adding A Dish

To add or remove items after wash cycle starts :

- 1 Open door slightly and wait a few seconds until wash action stops before completely opening.
- 2 Add the item.
- 3 Close door firmly to latch and cycle will automatically resume.



CAUTION

TO AVOID BURN INJURY :Slightly open door and wait until spray arms and wash action stop. Hot water may splash out of dishwasher. Failure to do so may result in injury.

Filling the rinse aid dispenser

Rinse aid greatly improves drying and reduces water spots and filming. Without rinse aid your dishes and dishwasher interior will have excessive moisture. The Heated Dry option will not perform as well without rinse aid. The rinse aid dispenser, located next to the Detergent cup, automatically releases a measured amount of rinse aid during the last rinse.

If spotting and poor drying is a problem, increase the amount of rinse aid dispensed by rotating the dial to a higher number. The dial is located under the dispenser cap.

If the rinse aid is low, the Rinse Aid light is illuminated at the beginning and end of the cycle indicating that it is time to refill.

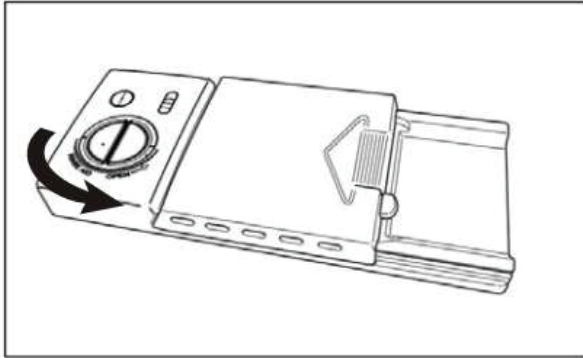
Preparing and loading dishes

Filling the rinse aid dispenser

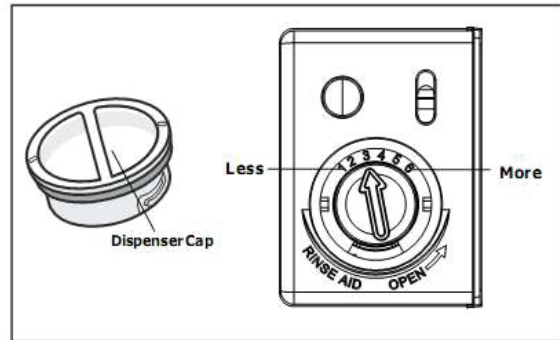


Your dishwasher is designed to use a liquid rinse aid. The use of rinse greatly improves drying performance after the final rinse. Do not use a solid or bar-type rinse aid. Under normal conditions, the rinse aid will last approximately one month, try to keep it full, but do not over fill.

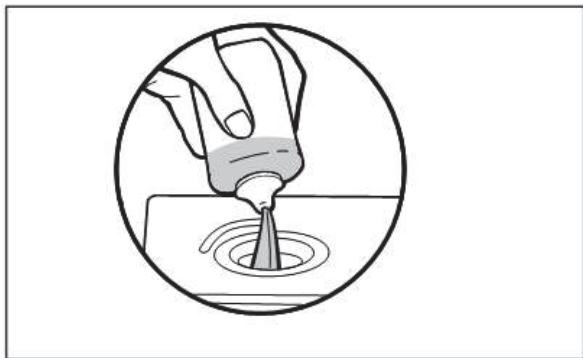
1. Open the door, turn the dispenser cap to left and lift it out.



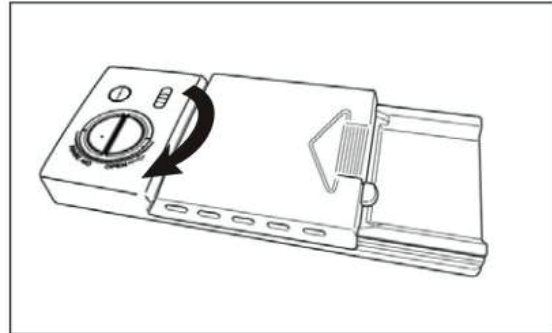
3. You can adjust the amount of the rinse aid released during the rinse operation, the greater number indicates the larger amount of rinse aid released.



2. Add rinse agent until the indicator point to max

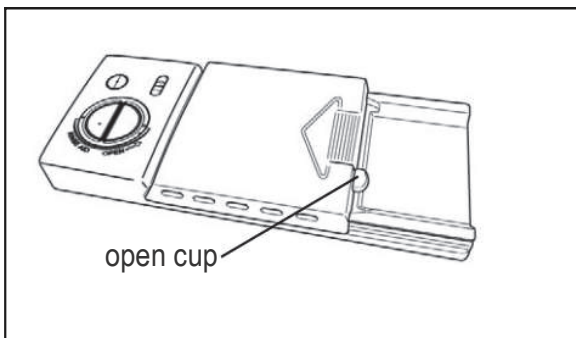


4. Replace the dispenser cap

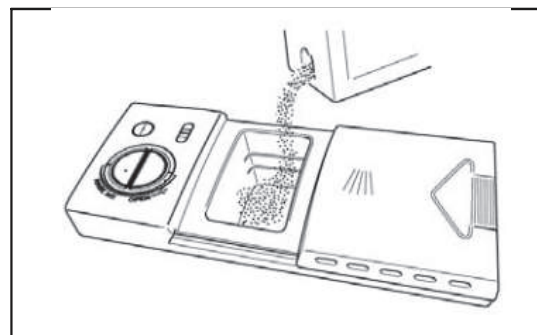


Filling the detergent dispenser

1. Push the dispenser cover latch downwards and open it

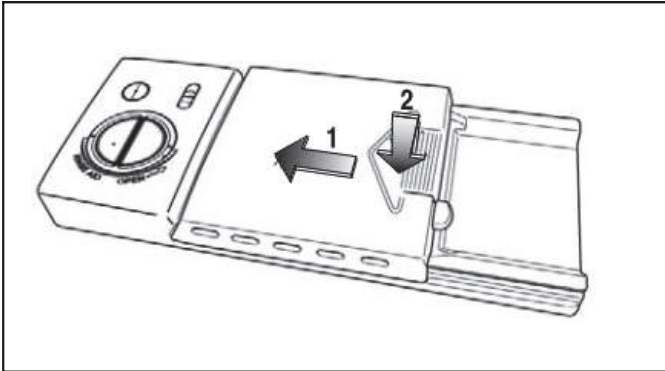


2. Add the detergent to the main wash compartment



Preparing and loading dishes

3. Close the dispenser cover



The amount of the detergent needed depends on the cycle and soil level of dishes, refer to the table below and adjust the recommended amount as necessary for your load.

Cycle	Soft Water (0–3 Grains)	Medium Hard Water (4–8 Grains)	Hard Water (9–12 Grains)	Very Hard Water* (Over 12 Grains)
Auto wash, Pots & wash, Normal wash	2 Teaspoons (Main Wash Cup – 1/4 Full)	5 Teaspoons (Main Wash Cup – fill to line above "Regular")	8 Teaspoons (Main Wash Cup Completely Full)	Each Cup – Completely Full (Water Softener Recommended)
Quick wash, China crystal	2 Teaspoons (Main Wash Cup – 1/4 Full)	5 Teaspoons (Main Wash Cup fill to line above "Regular")	8 Teaspoons (Main Wash Cup completely full)	Main Wash Cup – Completely Full (Water Softener Recommended)
Rinse	No Detergent	No Detergent	No Detergent	No Detergent (Water Softener Recommended)

Cleaning the exterior door and panel

1. Stainless steel panel

Clean the stainless steel door and handle regularly to remove the debris with cleaning soft cloth.

Do not use appliance wax, polish, bleach or products containing chlorine to clean the stainless steel door.

2. Controlpanel

Clean the control panel with a lightly dampened cloth, clean it gently.

Clean the Stainless Steel Inner Door and Tub

The tub is made of Stainless Steel, it will not rust or corrode if the dishwasher should be scratched or dented.



Clean the spots on the steel inner door and tub with a damp nonabrasive cloth.

Clean the Cylinder Filter

The Cylinder Filter is designed to collect some big items such as broken glass, bones and pits. The Cylinder Filter needs to be cleaned to maximize wash performance.

Remove the bottom rack, rotate the cylinder filter as shown, lift it out, empty and clean it by holding it under running water and replace.

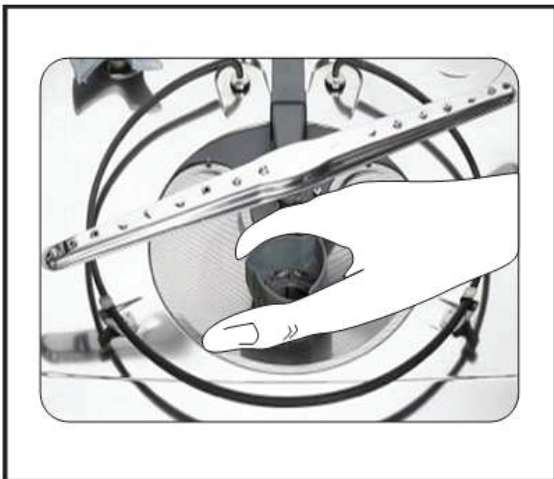


WARNING

Burn Hazard

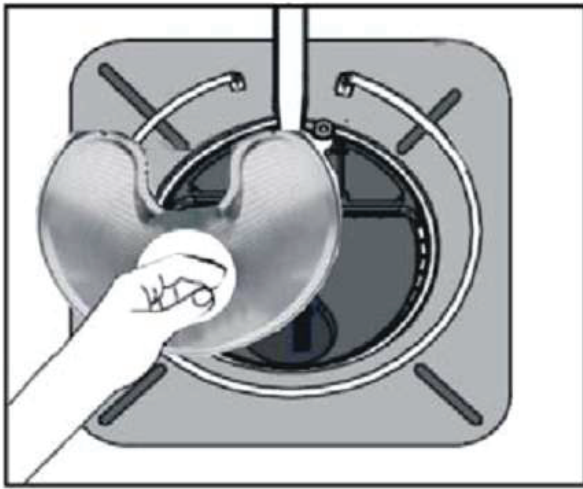
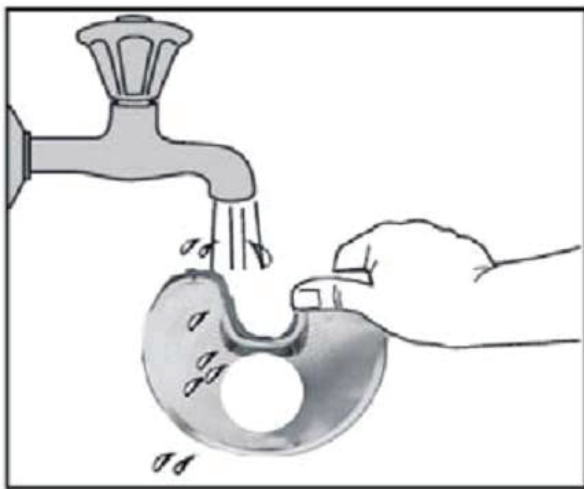
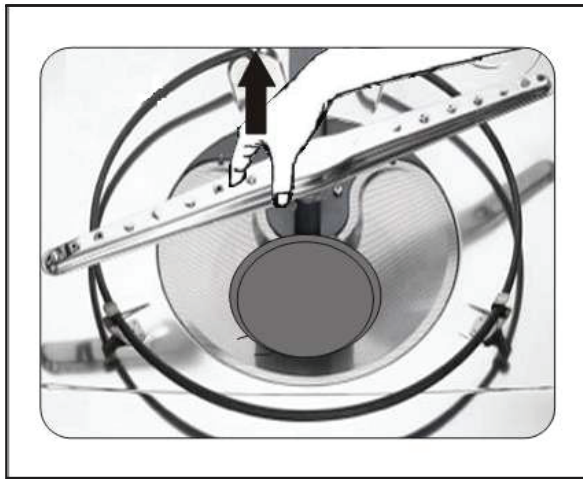
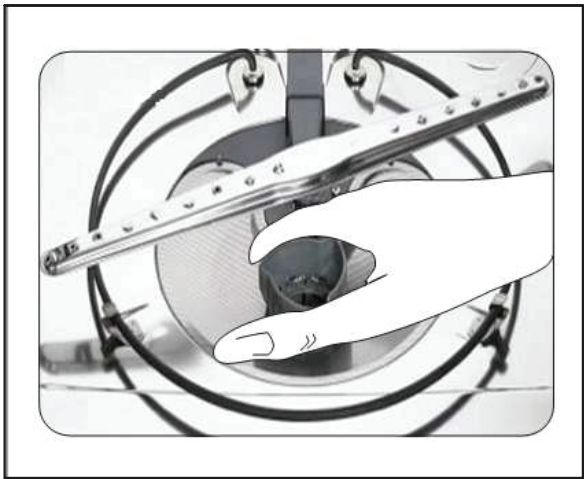
Allow heating element to cool before cleaning the interior.

Failure to do so can result in burns.



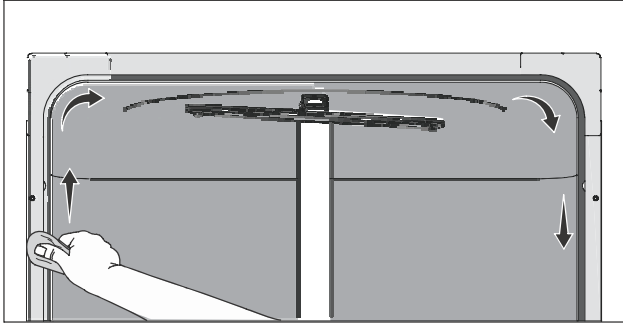
Clean the Fine Filter

Take out the Cylinder Filter and remove the Fine Filter from the dishwasher tub bottom. To remove the Fine Filter you must first remove the bottom spray arm as shown below. Flush the Fine Filter by holding it under running water and replace.



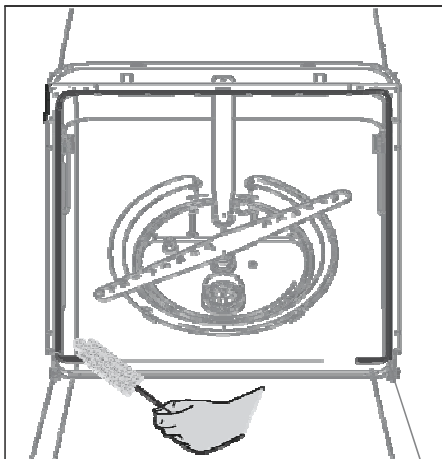
Clean the door gasket

Clean the door gasket with a damp cloth to remove food particles regularly.



Inside

The inside of the dishwasher is self-cleaning with normal use. If needed, clean the tub gasket with a damp cloth and use a brush similar to the ones shown below to clean the opening in the end of the gasket.



Air gap

If there is an air gap installed with your dishwasher, make sure it is clean so the dishwasher will drain properly.

Air gap is not part of your dishwasher.

Before you clean the air gap, turn off the dishwasher firstly and lift off the cover

Remove the plastic cap and clean with a toothpick.

Protect against freezing

Your dishwasher should be protected from freezing properly if it was left in an unheated place. Have a qualified person do the following:

To Disconnect Service:

1. Turn off electrical power to the dishwasher at the supply source by moving fuses or tripping circuit breaker.
2. Turn off the water supply
3. Place a pan under the inlet valve. Disconnect water line from inlet valve and drain into pan.
4. Disconnect drain line from pump and drain water into pan.

To Restore Service:

1. Reconnect the water, drain and electrical power supply.
2. Turn on water and electrical power supply.
3. Fill both detergent cups and run dishwasher through a Heated-Washcycle.
4. Check connections to make sure they do not leak.

Troubleshooting

before calling for service

Problem	Possible cause	Solution
Dishwasher won't start	Door may not be closed properly	Shut the door completely make sure it is latched
	Power supply or power line is not connected	Check and connect the power supply
	Delay Start option has been selected	Refer to Delay Start section in this manual to rese
	Child Lock activated (selected models)	Deactivate the child lock, refer to child lock section in this manual
Dishwasher beeps at the end of the cycle	It indicates the wash cycle finished, the dishwasher will beep	
Rinse Aid light on	The rinse aid level is low	Add rinse aid
Dishwasher operates too long	The dishwasher is connected to cold water	Check the dishwasher, make sure it connected to the hot water supply
	The cycle time will vary due to the soil	When heavy soil is detected, the auto, normal, pots&pan cycle will automatically increase the cycle time
	The sanitize option is selected	When sanitize option is selected, the cycle time will be increase to meet the sanitized temperature request
Dishes are not clean enough	Water pressure is temporarily low	Use you dishwasher when the water pressure is normal
	The inlet water is low	Make sure the dishwasher is connected to the hot water supply Try not use your dishwasher when hot water is being used elsewhere in the house
	Dishes are loaded too close together improper use of detergent	Load the dishes again as the manual introduced Add detergent depending on the water hardness and the cycle you chose. Use fresh detergent.
	The selected cycle is not suitable for food soil condition	Choose anther cycle for longer washing time
	Spay arms is blocked by some items	Make sure the spay arm is rotated fluently
Dishes not drying enough	Detergent dispenser is empty	Fill rinse aid dispenser or increase the amount of rinseaid.
	Improper loading of dishes	Load the dishes again as the manual introduction
	The cycle you chose did not included the drying.	Choose the proper cycle with drying
Spots and filming on dishes	Water hardness is too high	For extremely hard water install a water softener
	Improper loading of dishes	Load the dishes again as the manual indicates
	Old or damp powder rinse aid is used	Use fresh rinse aid
	Rinse dispenser empty	Add rinse aid to the dispenser
Etching	Using too much detergent	Use less detergent if you have soft water
	The inlet water temperature exceeds 150 °F	Lower the inlet water temperature
Detergent left in dispenser cup	Detergent may be too old	Use fresh detergent
	Spray arm is blocked	Load the dishes, making sure the spray arms are notblocked.

Troubleshooting

Problem	Possible cause	Solution
Detergent dispenser will not shut	Improper operation of the detergent cover	Add the detergent and rinse aid as indicated by the manual
Water remains in the dishwasher	Previous cycle has not finished or has been interrupted	Select the proper cycle as introduced by the manual
Dishwasher does not drain properly	Drain is clogged	Check the air gap if you have Make sure the disposer is empty if the dishwasher is connected to the disposer
	Drain hose is kinked	Make sure the drain hose is properly connected to the sink
Suds in the tub	Improper detergent is used	Make sure to use only the automatic dishwasher detergent
Dishwasher leaks	Excessive suds caused by using the improper detergent	Make sure to use only the automatic dishwasher detergent
	Dishwasher is not level	Leveling the dishwasher (see the installation manual)
Black or gray marks on dishes	Aluminum utensils have rubbed against dishes	Chose a higher cycle Make sure the inlet water is no less than 120°F
Stained tub interior	Coffee and tea soil	Using a spot cleaner to remove the soil
	Reddish stain	Some tomato food will cause this, use of the rinse only cycle right after loading this will decrease the staining
Noises	Detergent cup opening \ Drain pump sound	This is normal
	A hard object has entered the wash module. When the object is ground up, the sound should stop.	If the noise persists after a complete cycle, call for service.
Dishwasher won't fill	Water valve is turn off	Check if the water valve is turn on
	Door latch may not be properly seated	Make sure the door is closed

Error Codes

When some malfunctions come on, the appliance will display error codes to warn you:

<i>Codes</i>	<i>Meanings</i>	<i>Possible Causes</i>
E1	Longer inlet time.	Faucets is not opened, or water intake is restricted, or water pressure is too low.
E4	Overflow.	Some element of dishwasher leaks .
Ed	Communication exception or issue.	The display board can't receive or the main board can't send a signal for over 20 seconds.

⚠ WARNING!

- If overflow occurs, turn off the main water supply before calling a service.
- If there is water in the base pan because of an overflow or small leak, the water should be removed before restarting the dishwasher.



FORNO

Alta Qualita

Manuel d'instruction

MODÈLE: WQP12-6502
(FDWBI8067-24S)



Table des matières

Service à la clientèle.....	2
Garantie.....	3-4
Instructions de sécurité importantes.....	5
Caractéristiques de votre nouveau lave-vaisselle.....	6-8
Utilisation du lave-vaisselle.....	9-14
Préparation et chargement de plats.....	15-17
Entretien et nettoyage.....	18-20
Dépannage.....	21-22

SERVICE À LA CLIENTÈLE

Merci d'avoir acheté un produit **FORNO**. Veuillez lire le manuel d'utilisation en entier avant la première utilisation. Que vous soyez un utilisateur occasionnel ou averti, vous aurez avantage à vous familiariser avec les mesures de sécurité, les caractéristiques, le fonctionnement et les recommandations d'entretien et de nettoyage de votre appareil.

Le numéro de modèle et le numéro de série sont indiqués à l'intérieur de l'appareil. Pour fins de garantie, vous aurez besoin du numéro de série, de la date d'achat et d'une copie de votre preuve d'achat. Notez l'information ci-dessous pour référence ultérieure.

INFORMATION À FOURNIR POUR TOUTE RÉPARATION

Numéro de modèle :

Utilisez ces numéros pour toute correspondance ou pour tout appel au service des réparations concernant votre appareil.

Numéro de série :

Si vous avez reçu un appareil endommagé, communiquez immédiatement **FORNO**.

Date d'achat :

Économisez temps et argent. Avant tout appel de réparation, vérifiez le guide de dépannage. Vous y trouverez une liste des causes de problèmes mineurs que vous pouvez réparer vous-même.

Adresse et numéro de téléphone où l'appareil a été acheté :

POUR UNE RÉPARATION AU CANADA & AUX ÉTATS-UNIS :

Conservez ce manuel d'instruction à portée de main si vous avez des doutes. Vous pouvez retrouver tous les informations en ligne www.forno.ca.

Pour plus de précision ou si vous avez besoin d'aide, veuillez communiquer avec notre service à la clientèle à : info@forno.ca

En cas de problème, veuillez contacter le service client FORNO. Veuillez noter que le "troubleshooting" avec un représentant du service à la clientèle sera nécessaire avant de pouvoir envoyer un technicien. Tous les travaux sous garantie doivent être autorisés par le service client FORNO. Tous nos prestataires de services agréés sont soigneusement sélectionnés et rigoureusement formés par FORNO.

GARANTIE

Ce que couvre cette garantie limitée :

La couverture de garantie fournie par Forno dans cette déclaration s'applique exclusivement à l'appareil ("Produit") vendu au consommateur ("Acheteur") par un revendeur/distributeur/détaillant agréé Forno, acheté et installé aux États-Unis ou au Canada, et qui est toujours resté dans l'original pays d'achat (États-Unis ou Canada). La couverture de la garantie est activée à la date de l'achat au détail original et a une durée de deux(2) ans.

La couverture de la garantie n'est pas transférable. En cas de remplacement de pièces ou de l'ensemble du produit, le produit (ou les pièces) de remplacement assumera le reste de la garantie d'origine activée avec la preuve d'achat d'origine. Cette garantie ne sera pas prolongée en ce qui concerne un tel remplacement. Forno réparera ou remplacera toute composante/pièce qui tombe en panne ou s'avère défectueuse en raison de matériaux et/ou de fabrication dans les 2 ans suivant la date de l'achat initial au détail et dans des conditions d'habitation ordinaire, usage non commercial. La réparation ou le remplacement sera gratuit, y compris la main-d'œuvre aux tarifs standard et l'expédition dépenses. L'acheteur est responsable de rendre le produit raisonnablement accessible pour le service. Service de réparation doit être effectuée par une société de service agréée Forno pendant les heures normales de travail.

IMPORTANT

Conservez la preuve d'achat originale pour établir la période de garantie. La responsabilité de Forno pour toute réclamation de quelque nature que ce soit, avec en ce qui concerne les biens et/ou services fournis, ne doit en aucun cas dépasser la valeur des biens ou services ou de la partie qui a donné lieu à la réclamation.

Garantie cosmétique de 30 jours

L'Acheteur doit inspecter le produit au moment de la livraison. Forno garantit que le produit est exempté de défauts de fabrication dans les matériaux et la fabrication pendant une période de trente (30) jours à compter de la date de vente au détail d'origine l'achat du Produit.

Cette couverture comprend :

- Taches de peinture
- Écorchures
- Défauts de finition macroscopiques

La garantie cosmétique ne couvre PAS :

Problèmes résultant d'un transport, d'une manipulation et/ou d'une installation incorrecte (par exemple : bosses, cassés, déformés ou structures déformés ou composants, composants en verre fissurés ou autrement endommagés) ;

Légères variations de couleur sur les composants peints/émaillés ;

Les différences causées par l'éclairage naturel ou artificiel, l'emplacement ou d'autres facteurs analogues ;

Taches/corrosion/décoloration causées par des substances externes et/ou des facteurs environnementaux ;

Coûts de main-d'œuvre, présentoir, plancher, stock B, appareils prêts à l'emploi, « tels quels » et unités de démonstration.

Comment recevoir le service

Pour bénéficier des services de garantie, l'acheteur doit contacter le service d'assistance de Forno afin de déterminer le problème et les procédures de service requises. Le « Troubleshooting » avec un représentant du service à la clientèle sera nécessaire avant d'aller de l'avant avec le service. Numéro de modèle, numéro de série et date de vente au détail d'origine l'achat sera demandé.

Exclusions de garantie : Ce qui n'est pas couvert

- > L'utilisation du produit dans tout lieu non résidentiel, application commerciale. Utilisation du Produit pour autre chose que son but visé.
- > Services de réparation fournis par toute personne autre qu'un Agence de service autorisée Forno.
- > Services de dommages ou de réparation pour corriger les services fournis par des parties non autorisées ou l'utilisation de pièces non autorisées.
- > Installation non conforme codes d'incendie locaux/état/ville/comté, codes électriques, gaz codes, codes de plomberie, codes du bâtiment, lois ou règlements.
- > Défauts ou dommages dus à un stockage inapproprié du Produit.
- > Défauts, dommages ou pièces manquantes sur les produits vendus hors de l'emballage d'origine ou des présentoirs. Appels de service ou réparations pour corriger une erreur l'installation du Produit et/ou des accessoires associés.
- > Remplacement des pièces/appels de service pour se connecter, convertir ou autrement réparer le câblage électrique et/ou conduite de gaz afin d'utiliser correctement le produit.
- > Remplacement des pièces/appels de service à fournir instructions et informations sur l'utilisation du Produit.
- > Remplacement des pièces/appels de service pour corriger les problèmes résultant de l'utilisation du produit d'une manière autre que ce qui est normal et habituel pour un usage résidentiel.
- > Remplacement des pièces/appels de service en raison de l'usure et déchirure de composants tels que joints, boutons, casserole supports, étagères, paniers à couverts, boutons, tactiles présentoirs, plateaux en vitrocéramique rayés ou cassés.

- > Remplacement de pièces/appels de service en cas de manque de/mauvais entretien, y compris, mais sans s'y limiter : accumulation de résidus, taches, rayures, décoloration, corrosion.
- > Défauts et dommages résultant d'accidents, altération, mauvaise utilisation, abus ou mauvaise installation.
- > Défauts et dommages résultant du Produit transport, logistique et manutention. Inspection du produit doit être fait au moment de la livraison. Suivant réception et inspection, le concessionnaire vendeur/la livraison l'entreprise doit être informée de tout problème découlant de manutention, transport et logistique.
- > Défauts et dommages résultant de forces externes hors du contrôle de Forno, y compris mais non limité au vent, à la pluie, au sable, aux incendies, aux inondations, aux coulées de boue, des températures glaciales, une humidité excessive ou exposition prolongée à l'humidité, aux surtensions, la foudre, les défaillances structurelles entourant l'appareil et d'autres actes de Dieu.
- > Produits dont le numéro de série a été altéré/endommagé. En aucun cas Forno est tenu responsable des dommages causés à propriété environnante, y compris les meubles, les armoires, revêtements de sol, panneaux et autres structures entourant le Produit. Forno n'est pas tenu responsable des Produits s'il est situé dans une zone éloignée ou une zone où les techniciens formés certifiés ne sont pas raisonnablement disponibles. L'acheteur doit supporter tout transport et les frais de livraison du Produit jusqu'au centre de service autorisé ou les frais de déplacement supplémentaires d'un technicien certifié.

IL N'EXISTE AUCUNE GARANTIE EXPRESSE AUTRE QUE CELLES ÉNUMÉRÉES ET DÉCRITES CI-DESSUS, ET AUCUNE GARANTIES, EXPRESSES OU IMPLICITES, Y COMPRIS, MAIS SANS S'Y LIMITER, TOUTE GARANTIE IMPLICITE GARANTIES DE QUALITÉ MARCHANDE OU D'ADÉQUATION À UN USAGE PARTICULIER QUI S'APPLIQUERONT APRÈS LES PÉRIODES DE GARANTIE EXPRESSE INDIQUÉES CI-DESSUS, ET AUCUNE AUTRE GARANTIE EXPRESSE OU GARANTIE DONNÉE PAR TOUTE PERSONNE, ENTREPRISE OU SOCIÉTÉ CONCERNANT CE PRODUIT SERA OBLIGATOIRE POUR FORNO. FORNO NE SERA PAS RESPONSABLE DE LA PERTE DE REVENUS OU DE PROFITS, DÉFAUT DE RÉALISER DES ÉCONOMIES OU D'AUTRES AVANTAGES, TEMPS D'ABSENCE DU TRAVAIL, REPAS, PERTE DE NOURRITURE OU BOISSONS, FRAIS DE VOYAGE OU D'HOTEL, FRAIS DE LOCATION OU D'ACHAT D'APPAREILS, DÉPENSES DE REMODELAGE/CONSTRUCTION SUPÉRIEURES AUX DOMMAGES DIRECTS INDÉNIABLES CAUSÉ EXCLUSIVEMENT PAR FORNO OU TOUT AUTRE SPÉCIAL, ACCESSOIRE OU CONSÉCUTIF LES DOMMAGES CAUSÉS PAR L'UTILISATION, LA MAUVAISE UTILISATION OU L'INCAPACITÉ D'UTILISER CE PRODUIT, INDÉPENDAMMENT DU THÉORIE JURIDIQUE SUR LAQUELLE LA RÉCLAMATION EST BASÉE, ET MÊME SI FORNO A ÉTÉ AVISÉ DE LA POSSIBILITÉ DE TELS DOMMAGES. DE PLUS, LA RÉCUPÉRATION DE QUELQUE NATURE QUE CE SOIT CONTRE FORNO NE SERA PLUS GRANDE D'UN MONTANT QUE LE PRIX D'ACHAT DU PRODUIT VENDU PAR FORNO ET CAUSANT LE DOMMAGES ALLÉGUÉS. SANS PRÉJUDICE DE CE QUI PRÉCÈDE, L'ACHETEUR ASSUME TOUS LES RISQUES ET RESPONSABILITÉ POUR PERTE, DOMMAGE OU BLESSURE À L'ACHETEUR ET À LA PROPRIÉTÉ DE L'ACHETEUR ET À AUTRES ET LEURS PROPRIÉTÉS DÉCOULANT DE L'UTILISATION, DE LA MAUVAISE UTILISATION OU DE L'INCAPACITÉ À UTILISER CE PRODUIT VENDU PAR FORNO QUI N'EST PAS LE RÉSULTAT DIRECT D'UNE NÉGLIGENCE DE LA PART DE FORNO LA GARANTIE LIMITÉE NE S'ÉTENDRA À PERSONNE AUTRE QUE L'ACHETEUR INITIAL DE CE PRODUIT N'EST PAS TRANSFÉRABLE ET ÉNONCE VOTRE RECOURS EXCLUSIF.

Instructions de sécurité importantes



AVERTISSEMENT : Ce produit peut vous exposer à des produits chimiques, y compris [plomb, plomb et composés de plomb, bisphénol A], qui est [sont] connu de l'État de Californie pour causer le cancer et les anomalies congénitales ou d'autres dommages à la reproduction. Pour plus d'informations, rendez-vous sur www.P65Warnings.ca.gov.

AVERTISSEMENT Pour votre sécurité, les informations contenues dans ce manuel doivent être suivies à minimiser le risque d'incendie ou d'explosion, de choc électrique et pour prévenir les dommages matériels, les blessures corporelles.

Installation correcte

Veillez installer votre lave-vaisselle correctement suivre le guide d'installation.

- La température d'approvisionnement en eau devrait être de 120 °F ou de 149 °F.
- Jetez correctement l'appareil et le matériel d'emballage mis au rebut.
- Le lave-vaisselle doit être mis à la terre, sinon il peut entraîner un risque de choc électrique.
- S'il y a des dommages du lave-vaisselle, s'il vous plaît contacter Forno et éviter de tenter de réparer ou de remplacer une pièce par vous-même.

Précaution de base avant utilisation

- Lisez toutes les instructions avant d'utiliser le lave-vaisselle.
- Le manuel ne couvre pas toutes les conditions et situations possibles qui peuvent se produire.
- Utilisez le lave-vaisselle uniquement pour le fonctionnement prévu, tel que décrit dans le présent manuel.
- Lors du chargement des articles à laver :
 - Charger les articles coupant et couteaux de sorte qu'ils ne sont pas susceptibles d'endommager le joint de la porte et la baignoire.
 - Charger les articles coupant et couteaux avec les poignées jusqu'à réduire le risque de blessure et les coupures
- Ne nettoyer pas les articles en plastique à moins d'être marqués comme étant sûrs ou l'équivalent, s'ils ne sont pas marqués, vérifiez auprès de la fabrication pour la recommandation, les articles qui ne sont pas au lave-vaisselle peuvent fondre et créer un risque d'incendie potentiel.
- Si le lave-vaisselle s'écoule dans un broyeur d'aliments, assurez-vous que le lave-vaisselle est complètement vide avant de faire fonctionner le lave-vaisselle.
- Ne pas altérer le contrôle.
- Ne faites pas fonctionner votre lave-vaisselle à moins que tous les panneaux d'enceinte ne soient au bon endroit.
- Ne touchez pas l'élément chauffant pendant ou immédiatement après l'utilisation, surtout si l'option de désinfection a été sélectionnée.
- Ne laissez pas les enfants abuser, s'asseoir ou se tenir debout sur la porte ou les étagères d'un lave-vaisselle.
- Dans certaines conditions, l'hydrogène gazeux peut être produit dans un système d'eau chaude qui n'a pas été utilisé depuis deux semaines ou plus. L'hydrogène gazeux est explosif. Si le système d'eau chaude n'a pas été utilisé pendant une telle période, avant d'utiliser sur tous les robinets d'eau chaude et laisser l'eau s'écouler de chacun pendant plusieurs minutes dishwasher, turn . Cela libérera tout hydrogène gazeux accumulé. L'hydrogène gazeux est inflammable. Ne fumez pas et n'utilisez pas de flamme nue pendant cette période.
- Ne pas entreposer et utiliser de matières combustibles, d'essence ou d'autres vapeurs et liquides inflammables à proximité de cet appareil ou de tout autre appareil.
- N'utilisez que des détergents ou des agents de rinçage recommandés dans un lave-vaisselle et gardez-les hors de la portée des enfants.
- Éloignez les jeunes enfants et les nourrissons du lave-vaisselle lorsqu'il fonctionne.
- N'utilisez pas le lave-vaisselle s'il a une ligne électrique ou une fiche endommagée, et ne branchez pas le lave-vaisselle dans une prise endommagée, le non-respect de ces instructions peut entraîner un choc électrique.
- Retirez la porte du compartiment de gaufre nage lorsque vous retirez un vieux lave-vaisselle du service ou que vous le jetez.

Caractéristiques de votre nouveau lave-vaisselle

Spécifications

Capacité 14 places

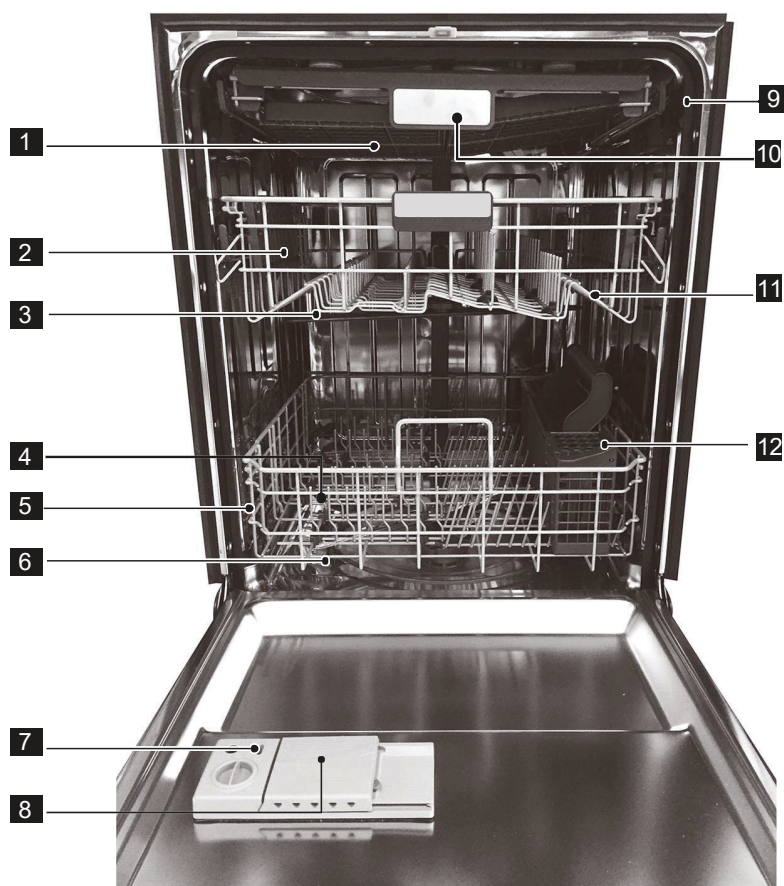
Dimensions 606 x 650 x 857 mm (L x P x H)

Poids Déballé 94lb (42.3 kg)

Alimentation électrique 120volts, 60Hz

Consommation d'énergie nominale Moteur de lavage 50W
Élément chauffant 840W

Pression d'alimentation en eau 20 ~ 120 psi (138 ~ 828kPa)



1 Bras de pulvérisation supérieur

2 Étagère de tasse

3 Bras de pulvérisation sup

4 Bras de pulvérisation inférieur

5 Rack inférieur

6 Élément chauffant

7 Distributeur d'aide au rinçage

8 Distributeur de détergent

9 Joint de baignoire

10 Rack supérieur

11 Rack supérieur réglable

12 Panier d'ustensiles

Caractéristiques de votre nouveau lave-vaisselle

Caractéristiques

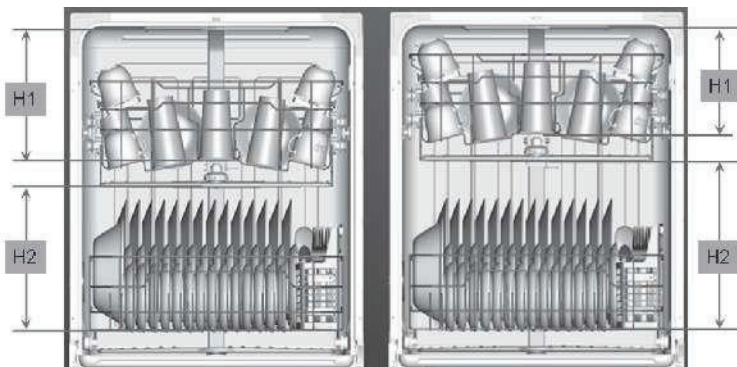
Système de filtrage

Votre lave-vaisselle dispose d'un système de filtre multiple. Le système de filtre possède quatre maillages de filtres ce qui rend permet de séparer l'eau souillée et l'eau propre dans différentes chambres. Le système à filtres multiples aide votre lave-vaisselle à améliorer sa performance avec moins d'eau et moins d'énergie.



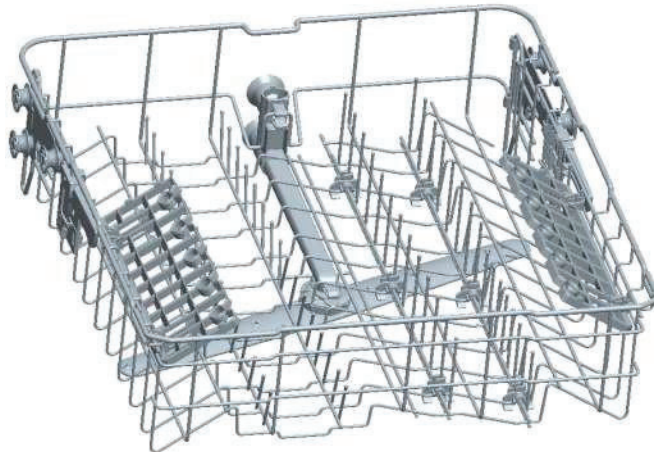
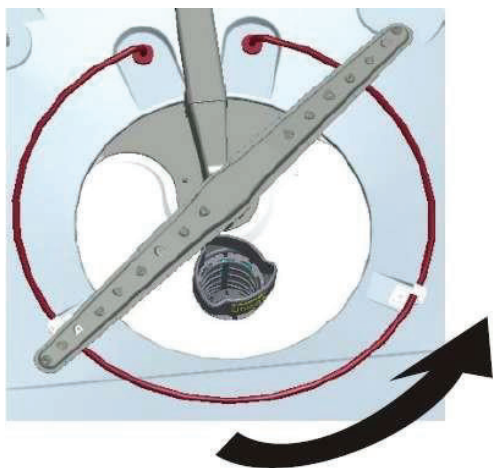
Rack supérieur réglable

Le rack supérieur peut être soulevé ou abaissé afin d'accueillir un chargement de plats plus hauts dans l'un ou l'autre rack. La hauteur de jeu du rack supérieur H1 passe de 8 po à 10 po. La hauteur de dégagement du rack inférieur H2 est de 11 po à 13 po.



Système de lavage intelligent

Votre lave-vaisselle est équipé d'un système de lavage intelligent. Lorsqu'une charge partielle de vaisselle légèrement souillée est placée dans l'unité, un cycle de lavage similaire à un lavage court sera automatiquement effectué. Lorsqu'une charge complète de vaisselle fortement souillée est placée dans l'unité, un cycle de lavage lourd sera automatiquement effectué. Il peut déterminer le type de cycle nécessaire pour nettoyer la vaisselle et nettoiera plus efficacement à chaque fois.



Caractéristiques de votre nouveau lave-vaisselle

Comment votre lave-vaisselle nettoie

Votre lave-vaisselle nettoie en pulvérisant un mélange d'eau chaude et de détergent à travers les bras de pulvérisation contre les surfaces souillées.

Le lave-vaisselle se remplit d'eau couvrir la zone du filtre. L'eau est ensuite pompée à travers les multiples filtres et le bras pulvérisateur. Les particules sont séparées et descendent dans les égouts lorsque l'eau est pompée et remplacée par de l'eau propre.

Le nombre de remplissages d'eau variera selon le cycle utilisé.

Mise en route

1. Chargez le lave-vaisselle (voir préparation et chargement de la vaisselle).
2. Ajouter du détergent (voir remplissage de détergent au distributeur).
3. Ajoutez de l'aide au rinçage, si nécessaire (voir remplissage aide au rinçage au distributeur).
4. Fermez la porte pour verrouiller.
5. Sélectionnez le cycle souhaité (voir charte des cycles). Le voyant lumineux au-dessus du bouton brillera lorsqu'il est sélectionné.
6. Sélectionnez les OPTIONS souhaitées (voir Options énergétiques). Le voyant lumineux au-dessus du bouton brillera lorsqu'il est sélectionné.
7. Faire fonctionner le robinet d'eau chaude le plus proche du lave-vaisselle jusqu'à ce que l'eau soit chaude. Fermer l'eau.
8. Pour commencer, appuyez sur le bouton Démarrer/Annuler (voir Démarrer/Annuler).

Votre lave-vaisselle a le panneau de commande avant. Vos sélections ne seront activées que lorsque la porte sera fermement fermée.

NOTE

Le lave-vaisselle est programmé pour se souvenir de votre dernier cycle afin que vous n'ayez pas à réinitialiser à chaque démarrage du lave-vaisselle en utilisant le même cycle et les options sélectionnées lors du lavage précédent, appuyez simplement sur le bouton Démarrer / Annuler.

Sélections de cycle de lavage

Les temps de cycle sont approximatifs et varient avec les options l'eau est nécessaire pour activer le détergent de lave-vaisselle et faire fondre les sols alimentaires gras.

Un capteur automatique vérifiera la température de l'eau entrante et si ce n'est pas chaud, la minuterie sera retardée pour le chauffage automatique de l'eau dans le lavage principal de tout ce qui se passe, même lorsque « HI-TEMP WASH » est sélectionné, une température encore plus élevée sera garantie pour gérer des charges de sol plus lourdes.

Utilisation du lave-vaisselle

Panneau de configuration



Sélections du cycle de lavage

1 Poêles & Casseroles

Ce cycle est destiné aux plats, pots, casseroles et plats difficiles à nettoyer et fortement souillés.

2 Lavage normal

Ce cycle est pour les plats de dîner régulièrement souillés ou l'argenterie.

3 Porcelaine & cristal

Ce cycle est pour la porcelaine légèrement souillée et le cristal.

4 Lavage rapide

Ce cycle est pour les plats légèrement souillés et pré-rinçés et l'argenterie.

5 Rinçage

Ce cycle est pour les pré-rinçages ou les lunettes. Ce n'est qu'un rinçage qui empêche les aliments de sécher sur votre vaisselle et réduit l'accumulation d'odeurs dans votre lave-vaisselle jusqu'à ce que vous soyez prêt à laver une charge complète. N'utilisez pas de détergent.

6 ÉCONOMISEUR D'ÉNERGIE

Pour les plats légers solides ou pré-rinçés et l'argenterie.

Fonctions

7 Échange d'air

Sélectionnez la fonction ÉCHANGE D'AIR, le lave-vaisselle échangera l'air toutes les 6 heures pour garder l'air dans le lave-vaisselle frais.

8 Lavage vapeur

Pour une utilisation avec des articles fortement souillés, cette option LAVAGE VAPEUR ajoute 30 minutes au temps de cycle. L'option est disponible avec les cycles de POÊLES ET CASSEROLLES et LAVAGE NORMAL.

9 Serrure d'enfant

Vous pouvez verrouiller toutes les commandes pour éviter que les enfants ne changent accidentellement le cycle du lave-vaisselle ou ne démarrent le lave-vaisselle. Appuyez simultanément sur LAVAGE VAPEUR et LAVAGE VORTEX pour sélectionner ou annuler la fonction. Une fois la fonction sélectionnée et le voyant lumineux correspondant s'allume.

10 Lavage Vortex

Utilisez cette option lorsque vous souhaitez laver des casseroles et des casseroles, des bols de service durables et d'autres plats volumineux, très sales et

difficiles à nettoyer.

Pour utiliser le lavage Vortex, placez la vaisselle face vers le bas dans le rack inférieur directement au-dessus du bras de lavage vortex à l'arrière gauche.

11 Séchage à la chaleur

Lorsque la fonction SÉCHAGE À LA CHALEUR est sélectionnée, le chauffage fonctionnera pendant le processus de séchage.

12 Aseptiser

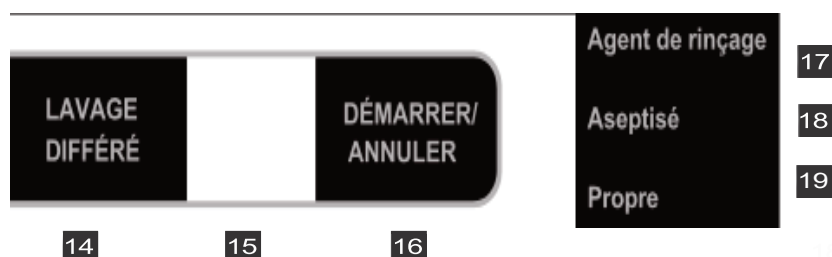
Pour désinfecter votre vaisselle et votre verrerie, sélectionnez la section Désinfecter. Lorsque la fonction ASEPTISER est sélectionnée, la température de l'eau sera maintenue à 70 ° C (158 ° F) max.

Remarque : Il est possible que 70 ° C (158 ° F) ne soit pas atteint si la température de la dose d'eau chaude entrante n'atteint pas la température suggérée.

13 Lavage à température élevée

Lorsque la fonction LAVAGE À TEMPÉRATURE ÉLEVÉE est sélectionnée, la température de l'eau sera maintenue à 60 ° C (140 ° F) max.

Utilisation du lave-vaisselle



16 Démarrer/Annuler

Cette information couvre plusieurs modèles différents. Il se peut que votre lave-vaisselle ne comporte pas tous les cycles et options décrits. Le contrôle des fonctions et les sélections de cycle de ce lave-vaisselle intégré seront nuls lorsque la porte du lave-vaisselle sera fermement fermée. Lorsque vous configurez le lave-vaisselle, veuillez garder la porte du lave-vaisselle ouverte et sélectionner le cycle de lavage et les options souhaitées. Le voyant lumineux au-dessus de la plaquette s'allume. Pour commencer, appuyez une fois sur la touche Démarrer/Annuler et fermez la porte dans les 4 secondes suivant votre sélection de démarrage. Le voyant scintillera et le cycle de lavage commencera après la fermeture de la porte. Pour annuler le cycle de lavage une fois que le lave-vaisselle est en marche, ouvrez soigneusement la porte lentement pour accéder aux commandes et éviter les déversements d'eau. Appuyez longuement sur Démarrer / Annuler pendant 8 secondes, le lave-vaisselle commencera un processus de vidange de 60 secondes pour empêcher l'eau et le piège plus humide à l'intérieur du lave-vaisselle. Le lave-vaisselle sera automatiquement éteint lorsque le processus de vidange sera terminé. Vous pouvez ensuite ouvrir l'unité et /ou commencer un nouveau cycle. Lorsque vous ouvrez la porte, soyez prudent car il y a une possibilité de blessures dues à la vapeur chaude sortant de l'appareil. Si la porte est ouverte pendant que le lave-vaisselle est en marche, un interrupteur de sécurité arrêtera le cycle. Vous pouvez ajouter plus de vaisselle avant le début du lavage principal.

14 Lavage différé

Pour retarder le démarrage d'un cycle, sélectionné « DELAY » jusqu'à ce que le temps de retard souhaité s'affiche sur l'écran d'affichage LED, cela vous permettra de démarrer automatiquement votre lave-vaisselle de 1 à 24 heures plus tard.

Pour annuler l'option démarrage retardé et commencer le cycle, avant la fin de la période de retard, appuyez sur le bouton Démarrer / Annuler.

15 Fenêtre d'affichage

Pour afficher les heures et les minutes restants du cycle d'exécution, les heures de retard et les codes d'erreur, etc.

17 Voyant d'aide au rinçage

S'allume lorsque le lave-vaisselle doit ajouter de l'aide au rinçage.

18 Voyant lumineux aseptisé

Si un cycle avec la fonction désinfectante est terminé, le voyant lumineux désinfecté s'allume.

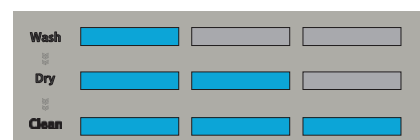
Si vous ouvrez la porte, elle s'éteindra après 30 secondes.

19 Voyant lumineux propre

S'allume après la fin d'un cycle. Si vous ouvrez la porte, elle s'éteindra après 30 seconde

Indicateur de progression du cycle

Situées à l'avant du lave-vaisselle, ces lumières indiquent jusqu'où se trouve le cycle de lavage actuel pendant que le lave-vaisselle fonctionne.



■ LAVER	Lorsque le lave-vaisselle est en fonction de lavage ou de rinçage d'un cycle, les lumières de lavage « Wash » sont allumées.
■ SEC	Lorsque le lave-vaisselle est en fonction de séchage d'un cycle, les lumières « Wash » et « Dry » sont allumées.
■ NETTOYER	Une fois que le lave-vaisselle a terminé son cycle, tous les voyants lumineux sont illuminés. Si vous ouvrez la porte lorsque les lumières sont allumées, toutes les lumières de progression s'éteignent après 30 secondes.

Utilisation du lave-vaisselle

Fenêtre d'état

01-24

Si l'option LAVAGE DIFFÉRÉ est sélectionnée, le nombre d'heure de retards s'affiche dans la fenêtre d'état. Si le lave-vaisselle fonctionne et que le temps de cycle de lavage est supérieur à une heure, le nombre d'heures et de minutes restantes apparaît alternativement dans la fenêtre d'état.

CL

Clignote une fois que le programme a été entré et que la touche Démarrer/Annuler est enfoncée. Il clignote également si la porte est ouverte pendant un cycle de lavage. Fermez la porte du lave-vaisselle pour commencer ou poursuivre un cycle de lavage.

MINUTES

Nombre de minutes restantes dans un cycle (0-59 ou 1H-2H). Il affiche les heures et les minutes alternativement.

displayed, contact

NOTE

Le temps restant pourrait soudainement augmenter ou diminuer de plusieurs minutes. Cela signifie que le capteur intelligent a vérifié le niveau d'eau souillé et déterminé si des remplissages d'eau supplémentaires sont nécessaires ou si les remplissages d'eau peuvent être supprimés.

Indication d'erreur

Dans certaines situations qui sont critiques pour la fonction machines et le fonctionnement sûr, la commande doit s'arrêter et indiquer un code d'erreur Er (Voir codes d'erreur à la page 18).

Si des codes Er sont affichés, contactez Forno immédiatement. Notre équipe en support technique sera en mesure de fournir de l'aide en cas de dépannage pour résoudre le problème et ou de trouver un technicien de service autorisé si nécessaire.

Cycle Chart

Programme	Cycle	Eau (L)	Temps du cycle (min)
POÊLES & CASSEROLES	Pré Lavage	26.2	138
	Pré Lavage		
	Lavage(55°C)		
	Rinçage		
	Rinçage		
	Rinçage (65~69°C)		
	Séchage		
LAVAGE NORMAL	Pré Lavage	11.4~22.5	102~120
	Auto(40~52°C)		
	Rinçage(58~69°C)		
	Séchage		
POCELAINE & CRISTAL	Pré Lavage	22.5	114
	Pré Lavage		
	Lavage (50°C)		
	Rinçage		
	Rinçage		
	Rinçage(62°C)		
LAVAGE RAPIDE	Pré Lavage (40°C)	15.1	60
	Lavage (55°C)		
	Rinçage (55°C)		
	Rinçage(58~69°C)		
	Séchage		
RINÇAGE	Rinçage seulement	7.7	20
ÉCONOMISEUR D'ÉNERGIE	Pré Lavage	18.8	134
	Pré Lavage		
	Lavage (45°C)		
	Rinçage		
	Rinçage(58°C)		
	Séchage		

Utilisation du lave-vaisselle

Réglage du rack supérieur

La hauteur supérieure du rack peut être facilement ajustée pour permettre le chargement de plats plus hauts dans l'un ou l'autre rack. Pour accueillir des plats plus hauts dans le rack inférieur, il y a 2 positions disponibles:

1. Soulevez le rack pour la position supérieure



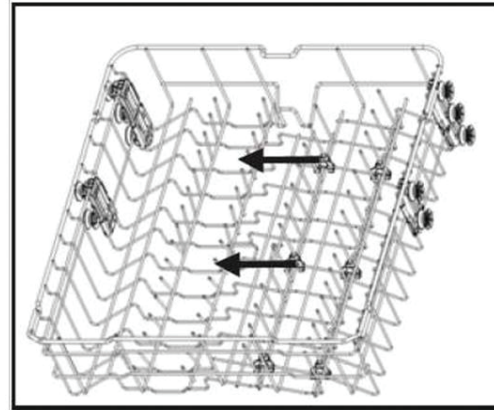
Le rack supérieur en position supérieure



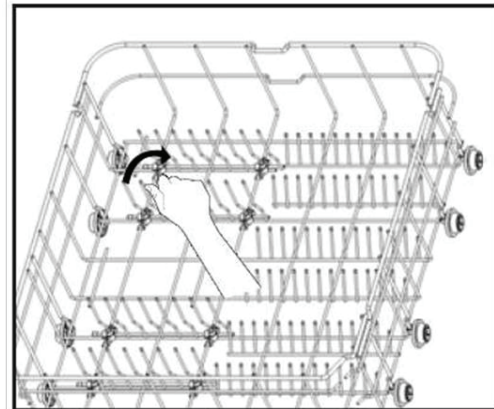
2. Tirer les poignées vers le haut pour abaisser le rack



Le rack supérieur en position inférieure



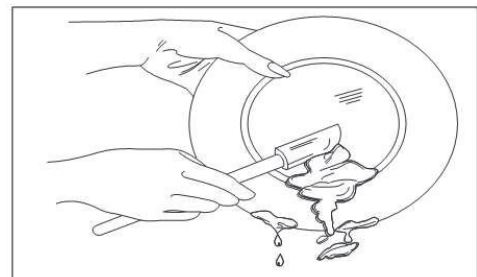
Rack supérieur



Rack inférieur

Préparation du chargement

Grattez les gros morceaux de nourriture, les os, les cure-dents des fosses, etc. Le système de lavage filtré en continu éliminera les particules de nourriture restantes. Les aliments brûlés doivent être desserrés avant le chargement. Vider les liquides des verres et des tasses. Les aliments tels que la moutarde, la mayonnaise, le vinaigre, le jus et les produits à base de tomates peuvent provoquer la décoloration de l'acier inoxydable et des plastiques s'ils sont autorisés à rester assis pendant une longue période de temps. À moins que le lave-vaisselle ne soit utilisé immédiatement, il est préférable de rincer ces sols alimentaires. Si le lave-vaisselle s'écoule dans un déverseur d'aliments, assurez-vous que le déverseur est complètement vide avant de commencer le lave-vaisselle.



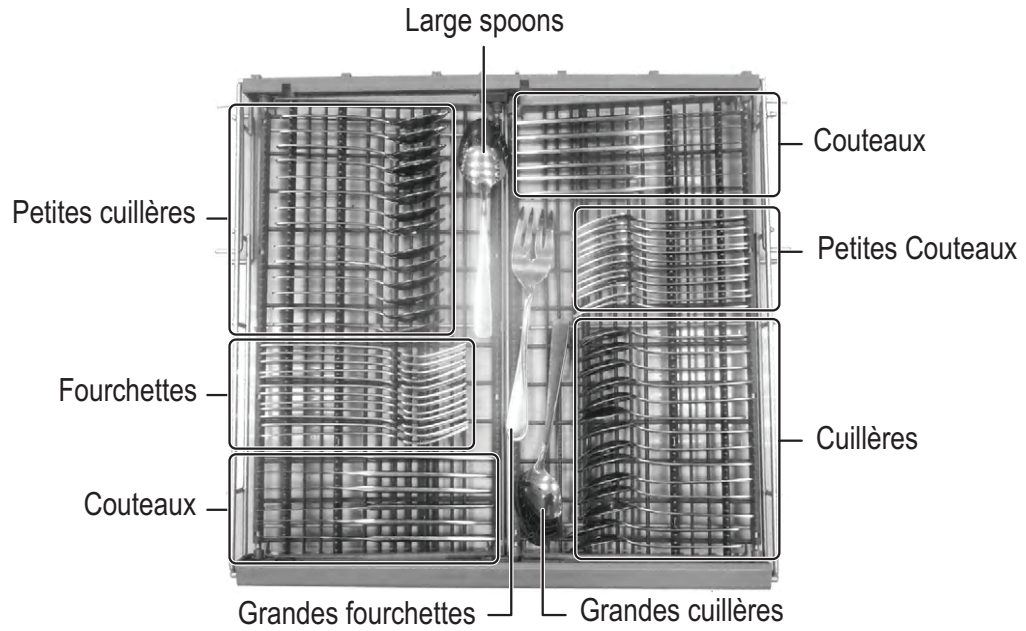
Note :

La hauteur doit être ajustée sans vaisselle dans les étagères.

Utilisation du lave-vaisselle

Panier supérieur

Vous pouvez placer les articles dans le panier supérieur de manière aléatoire ou ordonnée. L'image ci-dessous montre comment charger le panier supérieur pour 14 couverts:



Utilisation du lave-vaisselle

Chargement du rack

Le rack supérieur est conçu pour les gobelets, les verres, les petites assiettes, les bols et les articles en plastique marqués sûr, etc.

Pour de meilleurs résultats, placez les bols, les tasses, les verres, les casseroles de sauce avec une surface souillée face vers le bas ou vers le centre. Inclinez légèrement pour un meilleur drainage.



Assurez-vous que les plats chargés n'interfèrent pas avec la rotation du bras de pulvérisation médian, qui est situé au bas de la grille supérieure. (Vérifiez ceci en faisant pivoter le bras de pulvérisation médian à la main)

Chargement du rack inférieur

Le rack inférieur est conçu pour charger des assiettes, des bols à soupe, des assiettes, des soucoupes et des ustensiles de cuisine. Le rack réglable vous permettra de charger dans un espace maximum 13 po.



Les objets volumineux doivent être placés le long du bord afin qu'ils n'interfèrent pas avec la rotation du bras de pulvérisation médian, et assurez-vous également qu'aucun élément empêchera le distributeur de détergent de s'ouvrir.

Les objets volumineux doivent être positionnés de manière que l'intérieur soit tourné vers le bas, et que ces éléments n'interfèrent pas avec la rotation du bras de pulvérisation inférieure.

Les barres rabattables du rack inférieur permettent de faciliter le chargement de ces objets de grandes tailles et difficiles à adapter. Les dents peuvent être laissées en place pour une utilisation normale ou repliées pour un chargement plus flexible. Rabattez-les pour plus d'espace pour charger de grandes poêles ou casseroles.



Rack supérieur réglage à 8 couverts



Rack supérieur réglage à 12 couverts



Rack supérieur réglage à 14 couverts



Rack inférieur réglage à 8 couverts



Rack inférieur réglage à 12 couverts



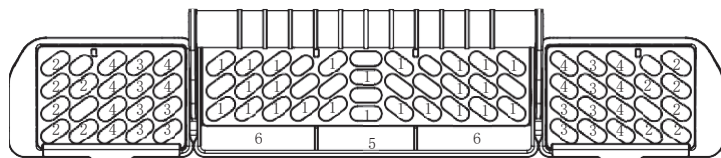
Rack inférieur réglage à 14 couverts

Préparation et chargement de la vaisselle

Chargement du panier d'ustensiles

Le panier en argenterie pourrait être divisé en trois modules distincts qui peuvent être utilisés dans les racks supérieurs et inférieurs

1. Cuillères
2. Couteaux
3. Fourchettes à salade
4. Fourchettes
5. Grandes cuillères
6. Grandes fourches



AVERTISSEMENT!

NE JAMAIS laissé n'importe quel élément dépassé le bas du panier d'ustensile.



Assurez-vous que rien ne dépasse le fond du panier ou de la crémaillère pour bloquer le bras de pulvérisation inférieur.

Ajout d'un plat

Pour ajouter ou retirer des articles après le début du cycle de lavage :

1. Ouvrez légèrement la porte et attendez quelques secondes jusqu'à ce que l'action de lavage arrête avant d'ouvrir la porte complètement.
2. Ajoutez l'élément.
3. Fermer la porte fermement afin qu'elle s'enclenche au loquet et le cycle va automatiquement reprendre.



MISE EN GARDE

POUR ÉVITER LES BRÛLURES/BLESSURES: Ouvrez légèrement la porte et attendez que les bras de pulvérisation et l'action de lavage s'arrêtent. L'eau chaude peut éclabousser le lave-vaisselle. Si cette directive n'est pas respectée cela peut entraîner des blessures.

Remplir le distributeur d'aide au rinçage

L'aide au rinçage améliore considérablement le séchage et réduit les taches d'eau. Sans aide au rinçage, votre vaisselle et l'intérieur du lave-vaisselle auront une humidité excessive. L'option **SÉCHAGE À LA CHALEUR** ne fonctionnera pas aussi bien sans aide au rinçage. Le distributeur d'aide au rinçage, situé à côté de la tasse de détergent, libère automatiquement une quantité mesurée d'aide au rinçage lors du dernier rinçage. Si les taches d'eau et le mauvais séchage sont un problème, augmentez la quantité d'aide au rinçage distribuée en tournant le cadran à un nombre plus élevé. Le cadran est situé sous le capuchon du distributeur. Si l'aide au rinçage est faible, le voyant d'aide au rinçage est allumé au début et à la fin du cycle, ce qui indique qu'il est temps de le remplir.

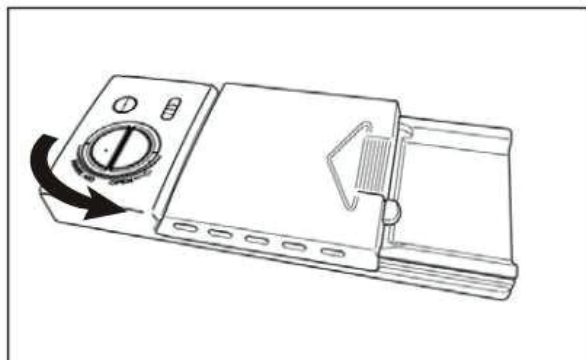
Préparation et chargement de la vaisselle

Remplir le distributeur d'aide au rinçage

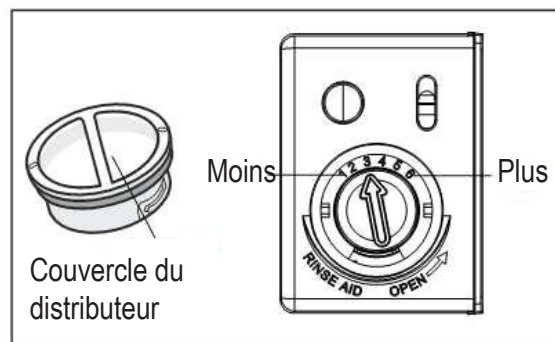


Votre lave-vaisselle est conçu pour utiliser un rinçage liquide. L'utilisation du rinçage améliore considérablement les performances de séchage après le rinçage final. N'utilisez pas d'aide au rinçage solide ou de type barre. Dans des conditions normales, l'aide au rinçage durera environ un mois, essayez de la garder pleine, mais ne vous remplissez pas trop.

1. Ouvrez la porte, tournez le capuchon du distributeur vers la gauche et soulevez-le.



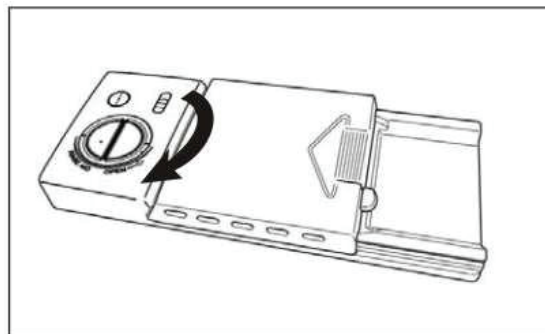
3. Vous pouvez ajuster la quantité de l'aide au rinçage libérée pendant l'opération de rinçage, le plus grand nombre indique la plus grande quantité d'aide au rinçage libérée.



2. Ajouter l'agent de rinçage jusqu'à ce que le l'indicateur au maximum

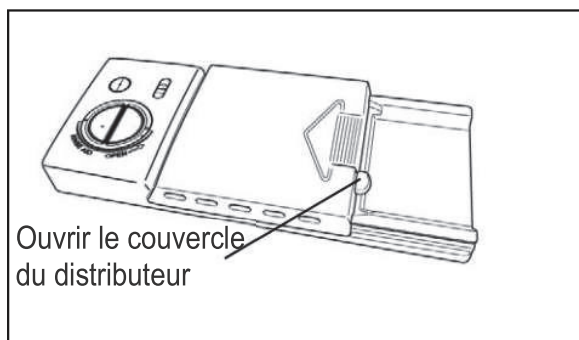


4. Remplacez le capuchon du distributeur

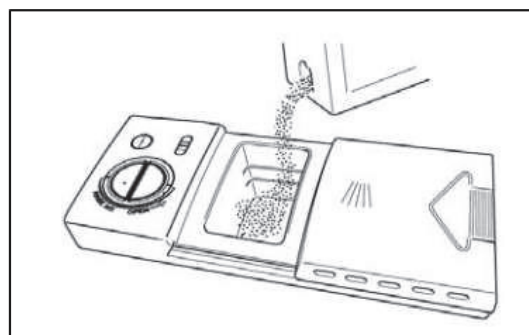


Remplissage du distributeur de détergent

1. Poussez le loquet du couvercle du distributeur vers le bas et ouvrez-le

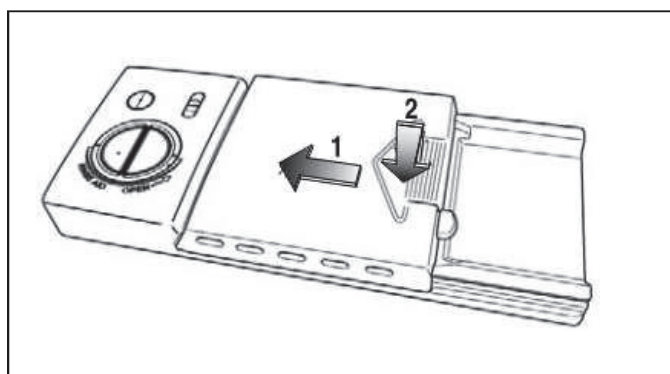


2. Ajouter le détergent dans le compartiment de lavage principal



Préparation et chargement de plats

3. Fermez le couvercle du distributeur



La quantité de détergent nécessaire dépend du cycle et le niveau de la vaisselle souillée, reportez-vous au tableau ci-dessous et ajustez la quantité recommandée si nécessaire pour votre chargement.

Cycle	Eau douce (0–3 Grains)	Eau moyennement dure (4–8 Grains)	Eau dure (9–12 Grains)	Eau très dure* (Plus de 12 Grains)
LAVAGE AUTOMATIQUE, POÊLES & CASSEROLE, LAVAGE NORMAL	2 Cuillères à thé (Coupe à lavage principal ¼ pleine)	5 Cuillères à thé (Coupe à lavage principal pleine jusqu'à la ligne au- dessus « Regular »)	8 Cuillères à thé (Coupe à lavage principal complètement pleine)	Chacune des coupes à détergent complètement pleine (Adoucisseur d'eau recommandé)
LAVAGE RAPIDE, PORCELAINE & CRISTAL	2 Cuillères à thé (Coupe à lavage principal pleine)	5 Cuillères à thé (Coupe à lavage principal pleine jusqu'à la ligne au- dessus « Regular »)	8 Cuillères à thé (Coupe à lavage principal complètement pleine)	Coupe à lavage principal complètement pleine (Adoucisseur d'eau recommandé)
RINÇAGE	Aucun détergent	Aucun détergent	Aucun détergent	Aucun détergent (Adoucisseur d'eau recommandé)

Nettoyage

Nettoyage de la porte extérieure et du panneau

1. Panneau en acier inoxydable

Nettoyez la porte et la poignée en acier inoxydable régulièrement pour enlever les débris avec un chiffon doux de nettoyage.

N'utilisez pas de cire, de vernis, d'eau de Javel ou de produits contenant du chlore pour nettoyer la porte en acier inoxydable.

2. Panneau de configuration

Nettoyez le panneau de commande avec un chiffon légèrement humide, nettoyez-le en douceur.

Nettoyez la porte intérieure et la baignoire en acier inoxydable

La baignoire est en acier inoxydable, elle ne rouillera ni ne se corrodera si le lave-vaisselle doit être rayé ou bosselé.



Nettoyez les taches sur la porte intérieure en acier et la baignoire avec un chiffon humide non abrasif.

Nettoyez le filtre du cylindre

Le filtre à cylindres est conçu pour collecter de gros objets tels que du verre brisé, des os et des fosses. Le filtre à cylindre doit être nettoyé pour maximiser les performances de lavage.

Retirez le rack inférieur, faites pivoter le filtre du cylindre comme indiqué, soulevez-le, videz-le et nettoyez-le en le maintenant sous l'eau courante et remplacez-le.

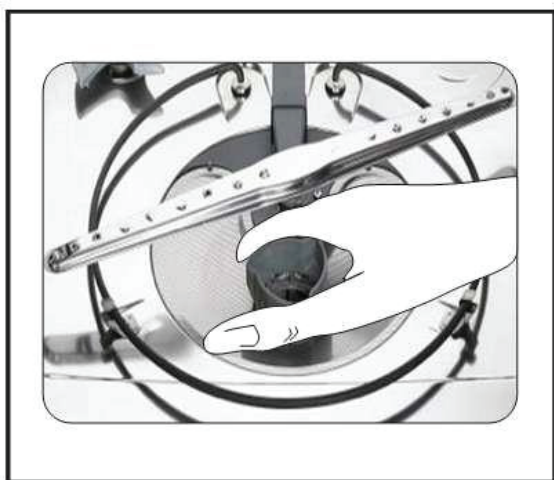


AVERTISSEMENT

Risque de brûlure

Laisser refroidir l'élément chauffant avant de nettoyer l'intérieur.

Si la cette directive n'est pas suivie ceci peut entraîner des brûlures.

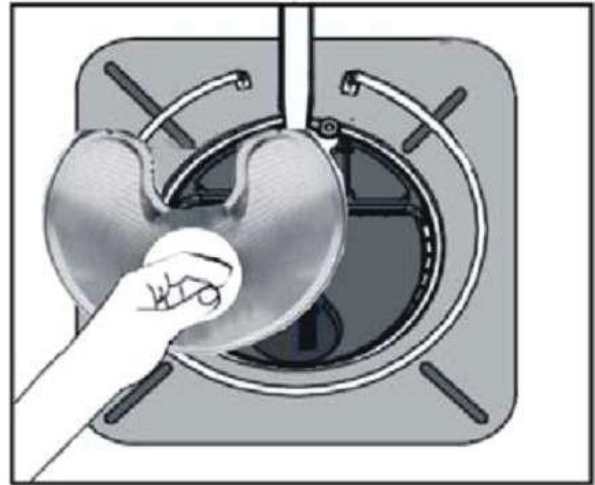
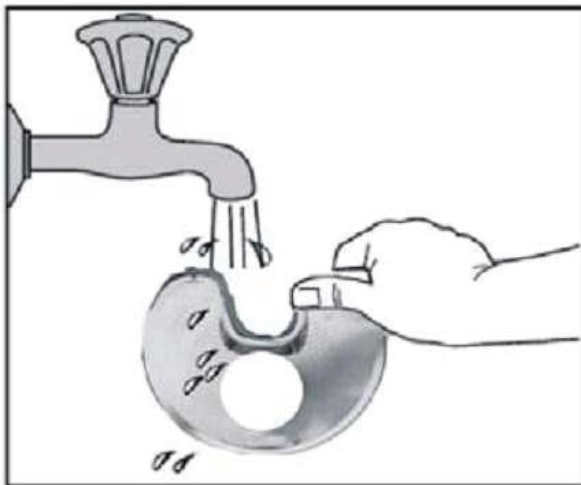
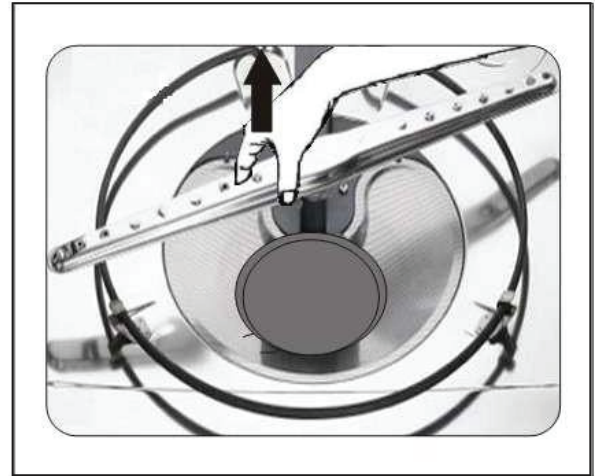
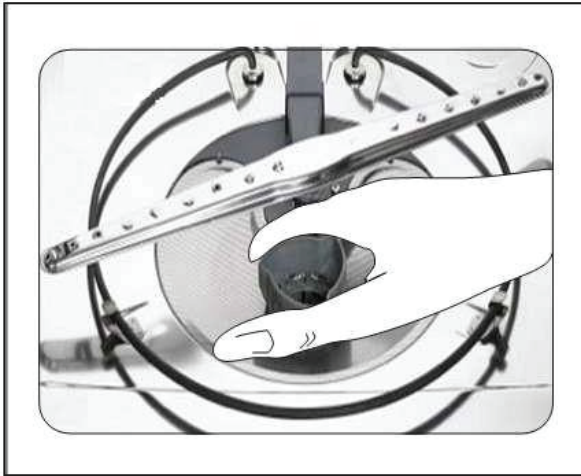


Nettoyage

Nettoyez le filtre

Sortez le filtre à cylindres et retirez le filtre du fond de la cuve du lave-vaisselle. Pour retirer le filtre, vous devez d'abord retirer le bras de pulvérisation inférieur comme indiqué ci-dessous.

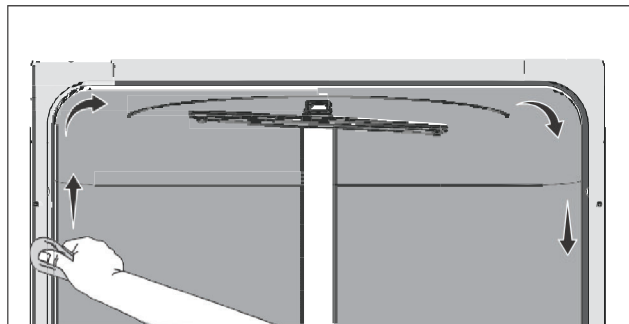
Rincez le filtre en le maintenant sous l'eau courante et remplacez-le.



Nettoyage

Nettoyez le joint de la porte

Nettoyez régulièrement le joint de la porte avec un chiffon humide pour éliminer les particules de nourriture.



Séparateur d'air

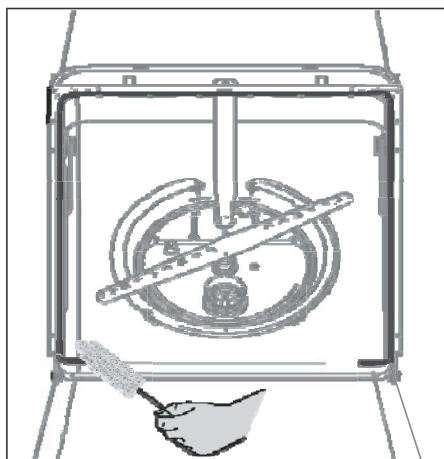
S'il y a une fente d'aération avec votre lave-vaisselle, assurez-vous qu'il est propre afin que le lave-vaisselle s'écoule correctement.

La fente d'aération ne fait pas partie de votre lave-vaisselle. Avant de nettoyer, éteignez d'abord le lave-vaisselle et soulevez le couvercle.

Retirez le capuchon en plastique et nettoyez avec un cure-dent.

À l'intérieur

L'intérieur du lave-vaisselle est autonettoyant avec une utilisation normale. Si nécessaire, nettoyez le joint de la baignoire avec un chiffon humide et utilisez une brosse similaire à celles indiquées ci-dessous pour nettoyer l'ouverture à l'extrémité du joint.



Protéger contre la congélation

Votre lave-vaisselle doit être protégé contre le gel correctement s'il a été laissé dans un endroit non chauffé. Si nécessaire, une personne qualifiée devra faire ce qui suit :

Pour déconnecter l'appareil :

1. Couper l'alimentation électrique du lave-vaisselle à la source d'alimentation en déplaçant les fusibles ou en faisant trébucher le disjoncteur.
2. Couper l'alimentation en eau
3. Placez une casserole sous la vanne d'admission. Débranchez la conduite d'eau de la vanne d'entrée et égouttez-la dans la casserole.
4. Débranchez la conduite de vidange de la pompe et égouttez l'eau dans la casserole.

Pour reconnecter l'appareil :

1. Rebranchez l'eau, le drain et l'alimentation électrique.
2. Allumez l'alimentation en eau et en électricité.
3. Remplissez les deux gobelets de détergent et faites fonctionner le lave-vaisselle à travers un cycle de lavage chauffé.
4. Vérifiez les connexions pour vous assurer qu'elles ne fuient pas.

Dépannage

Avant d'appeler pour le service

Problème	Cause possible	Solution
Le lave-vaisselle ne démarre pas	Il se peut que la porte ne soit pas fermée correctement	Fermez complètement la porte assurez-vous qu'elle est verrouillée
	L'alimentation électrique ou la ligne électrique n'est pas connectée	Vérifiez et connectez le bloc d'alimentation
	L'option Retarder le démarrage a été sélectionnée	Référez-vous à la section Retarder le démarrage dans ce manuel pour la réinitialisation
	Verrouillage enfant activé (modèles sélectionnés)	Désactiver le verrou enfant, reportez-vous à la section serrure enfant de ce manuel
Le lave-vaisselle sonne à la fin du cycle	Il indique que le cycle de lavage est terminé, le lave-vaisselle va bip	
Rincer l'aide lumière allumée	Le niveau d'aide au rinçage est faible	Ajouter de l'aide au rinçage
Le lave-vaisselle fonctionne trop longtemps	Le lave-vaisselle est connecté à l'eau froide	Vérifiez le lave-vaisselle, assurez-vous qu'il est connecté à l'alimentation en eau chaude
	Le temps de cycle variera en raison des plats très sale	Lorsque les saletés sont détectées, l'auto, normal, pots & pan cycle augmentera automatiquement le temps de cycle
	L'option de désinfection est sélectionnée	Lorsque l'option de désinfection est sélectionnée, le temps de cycle sera augmenté pour répondre à la demande de température aseptisée
La vaisselle n'est pas assez propre	La pression de l'eau est temporairement basse	Utilisez votre lave-vaisselle lorsque la pression de l'eau est normale
	L'eau d'entrée est faible	Assurez-vous que le lave-vaisselle est connecté à l'alimentation en eau chaude Essayez de ne pas utiliser votre lave-vaisselle lorsque de l'eau chaude est utilisée ailleurs dans la maison
	Les plats sont chargés trop près les uns des autres utilisations inappropriées du détergent	Chargez à nouveau les plats au fur et à mesure en suivant les instructions du manuel Ajoutez du détergent en fonction de la dureté de l'eau et du cycle que vous avez choisi. Utilisez du détergent frais.
	Le cycle sélectionné ne convient pas à l'état de la vaisselle (trop/pas assez sale)	Choisissez un autre cycle pour un temps de lavage plus long
	Les bras de pulvérisation sont bloqués par certains articles	Assurez-vous que le bras de pulvérisation est tourné couramment
Plats qui ne sèchent pas assez	Le distributeur de détergent est vide	Remplir le distributeur d'aide au rinçage ou augmenter la quantité de rinçage.
	Chargement inadéquat de la vaisselle	Chargez à nouveau la vaisselle en suivant les instructions de ce manuel
	Le cycle que vous avez choisi n'incluait pas le séchage	Choisissez le bon cycle avec séchage
Taches d'eau sur la vaisselle	La dureté de l'eau est trop élevée	Pour l'eau extrêmement dure, installez un adoucisseur d'eau
	Chargement inadéquat de la vaisselle	Chargez à nouveau la vaisselle comme l'indique le manuel
	Une aide au rinçage en poudre ancienne ou humide est utilisée	Utilisez de l'aide au rinçage frais
	Distributeur de rinçage vide	Ajouter de l'aide au rinçage au distributeur
Gravure	Utilisation de trop de détergent	Utilisez moins de détergent si vous avez de l'eau douce
	La température de l'eau d'entrée dépasse 150 ° F	Abaisser la température de l'eau d'entrée

Dépannage

Détergent restant dans la tasse du distributeur	Le détergent est peut-être trop vieux	Utilisez du nouveau détergent
	Le bras de pulvérisation est bloqué	Chargez la vaisselle, en vous assurant que les bras de pulvérisation ne sont pas bloqués.
Le distributeur de détergent ne se ferme pas	Mauvais fonctionnement du couvercle du détergent	Ajouter le détergent et l'aide au rinçage comme indiqué dans le manuel
Il reste de l'eau dans le lave-vaisselle	Le cycle précédent n'est pas terminé ou a été interrompu	Sélectionnez le cycle approprié tel que mentionné dans le manuel
Le lave-vaisselle ne s'écoule pas correctement	Le drain est bouché	Vérifiez la fente d'aération si vous avez Assurez-vous que le broyeur est vide si le lave-vaisselle est connecté au broyeur
	Le tuyau de vidange est plié	Assurez-vous que le tuyau de vidange est correctement connecté à l'évier
Eau savonneuse dans la baignoire	Un détergent inadéquat est utilisé	Assurez-vous de n'utiliser que le détergent automatique pour lave-vaisselle
Fuites de lave-vaisselle	Mousses excessives causées par l'utilisation du détergent inapproprié	Assurez-vous de n'utiliser que le détergent automatique pour lave-vaisselle
	Le lave-vaisselle n'est pas de niveau	Nivellement du lave-vaisselle (voir le manuel d'installation)
Marques noires ou grises sur la vaisselle	Les ustensiles en aluminium se sont frottés contre la vaisselle	Choisir un cycle plus élevé Assurez-vous que l'eau d'entrée n'est pas inférieure à 120 °F
Intérieur de la baignoire tachée	Marc de café et de thé	Utilisation d'un nettoyant pour taches pour enlever la tache
	Tache rougeâtre	Certains aliments pour tomates causeront cela, l'utilisation du cycle de rinçage seulement juste après le chargement, cela diminuera la coloration
Bruits	Ouverture de la tasse de détergent \ Son de la pompe de vidange	C'est normal
	Un objet dur est entré dans le module de lavage. Lorsque l'objet est mis à la terre, le son doit s'arrêter.	Si le bruit persiste après un cycle complet, appelez le service.
Le lave-vaisselle ne se remplit pas	La vanne d'eau est éteinte	Vérifiez si la vanne d'eau est allumée
	Il se peut que le loquet de la porte ne soit pas bien assis	Assurez-vous que la porte est fermée

Code d'erreur

Lorsque certains dysfonctionnements s'allument, l'unité affiche des codes d'erreur pour vous avertir :

<i>Codes</i>	<i>Signification</i>	<i>Causes possibles</i>
E1	Temps d'entrée plus long.	Les robinets ne sont pas ouverts, ou la prise d'eau est limitée, ou la pression de l'eau est trop faible.
E4	Débordement.	Quelques éléments de fuites de lave-vaisselle.
Ed	Exception de communication.	Lorsque le tableau d'affichage ne peut pas recevoir ou que le tableau principal ne peut pas envoyer de signal plus de 20 secondes.



AVERTISSEMENT

■ En cas de débordement, éteignez l'alimentation en eau principale avant d'appeler un service.
 ■ S'il y a de l'eau dans le bac de base en raison d'un remplissage excessif ou d'une petite fuite, L'eau doit être retirée avant de redémarrer le lave-vaisselle.